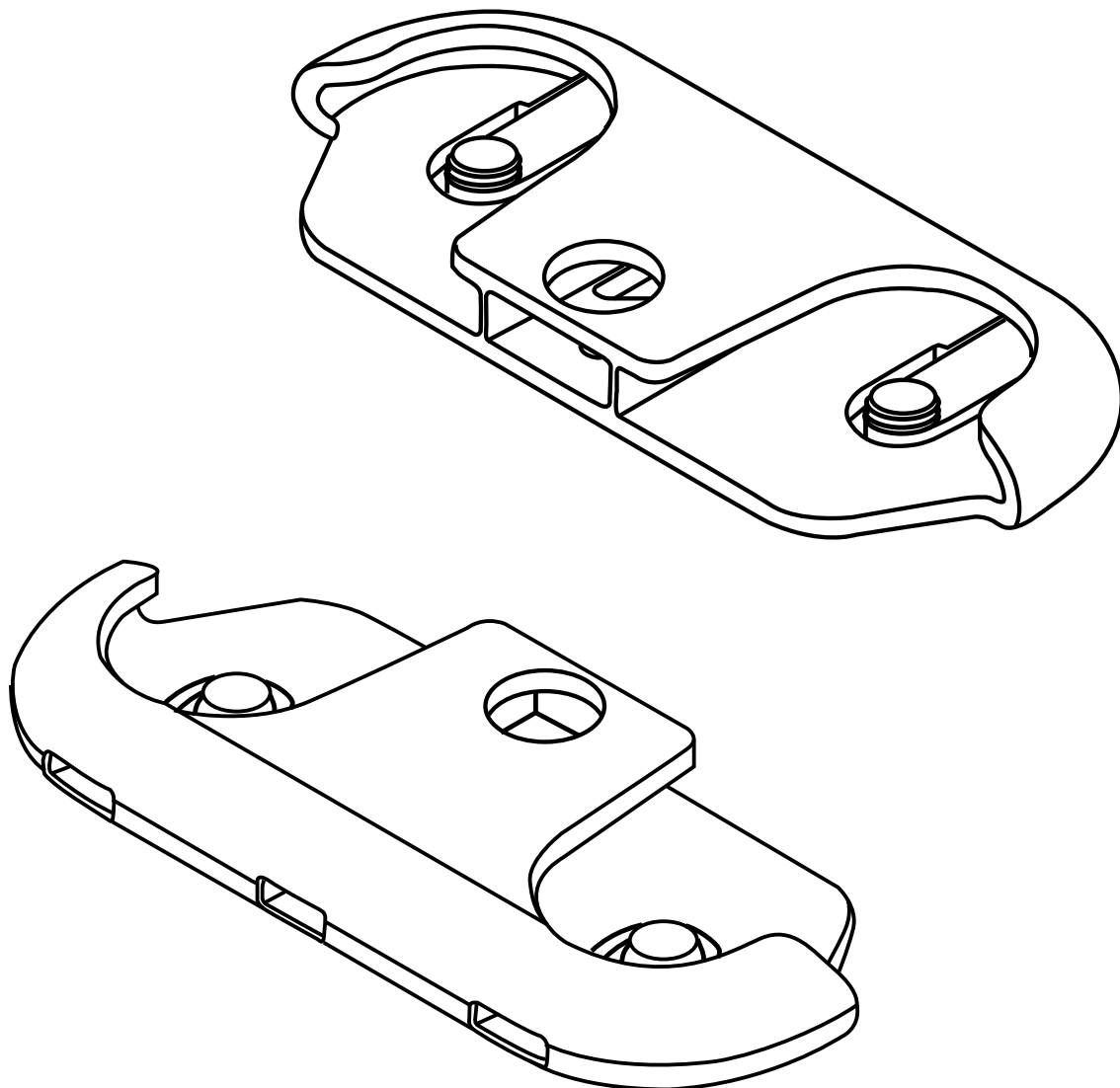


PASÉA

GANGING BRACKET

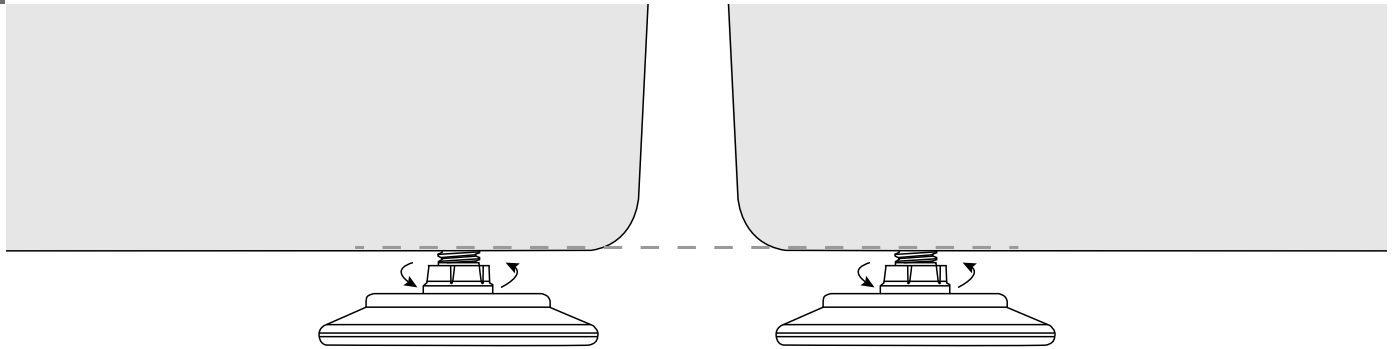
ASSEMBLY INSTRUCTIONS

Ganging brackets are now more convenient than ever! With just a few clicks, our Paséa ganging brackets are able to bring together active lounge spaces for any occasion. Sporting a rugged nylon construction, these ganging brackets are built to last and will keep floors safe from furniture on the go.

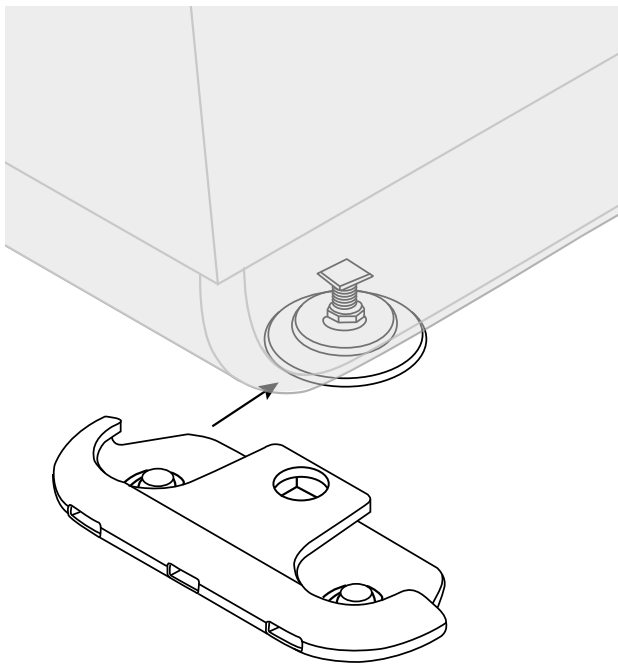


PASÉA GANGING BRACKET ASSEMBLY INSTRUCTIONS

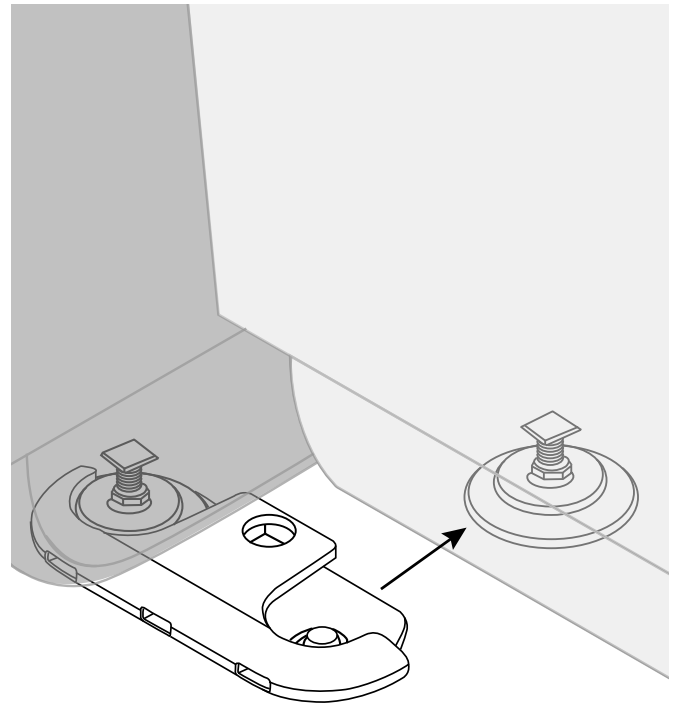
1



2



3



STEPS

1. Adjust the glides as needed, by rotating them clockwise or counterclockwise, so the units you will be attaching are at the same height.
2. Lift up one side of the first seat/bench and clip the ganging bracket on to the front or back glide.
3. Lift up one side of the second seat/bench and clip the other half of the ganging bracket on to the corresponding glide of the second seat/bench.