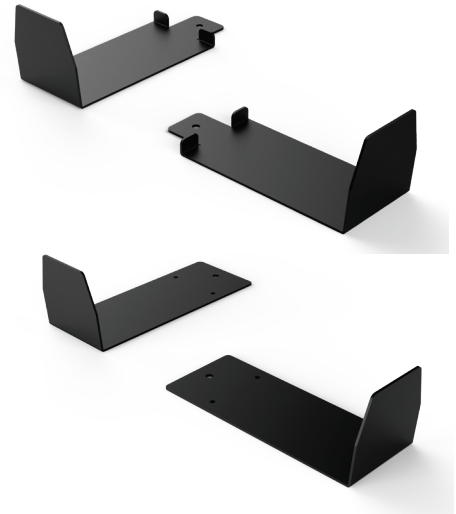
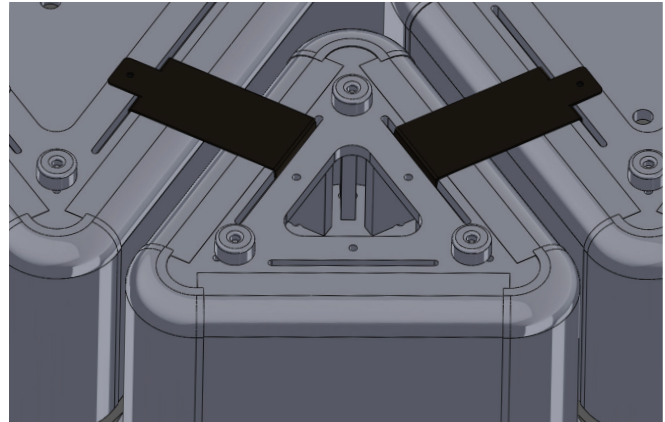
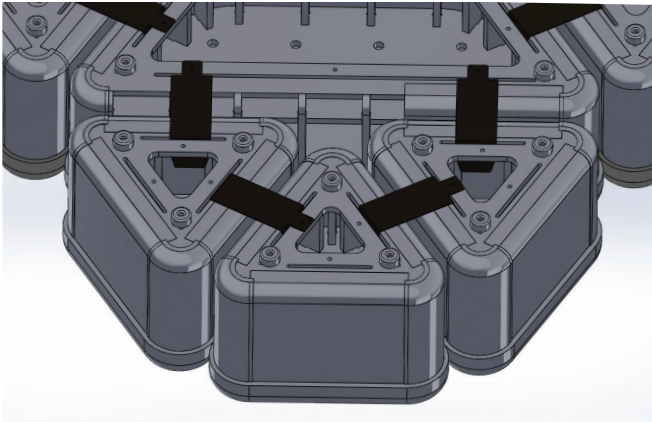


# Nano™ Ganging Bracket Installation Instructions

1. Turn Nano piece upside down  
(place on a clean surface to avoid damage).
2. Place the ganging bracket over predetermined hole,  
indicated by the threaded insert.
3. Machine-screw the bracket into place using one (1) 5/16"-18 screw  
(included) into the threaded insert. This single screw is sufficient to hold  
the bracket into place.
4. Flip Nano piece back to its upright position.
5. Lift the second adjacent Nano piece you wish to gang and slide it onto  
the ganging bracket. The bracket flange will go into one of the  
slits along the edge of your first Nano unit.



Your order should include one of the two above ganging bracket types. Note that our assembly instructions apply to **both** ganger designs, as they are both installed in the same manner.



**Note:** Only one (1) ganging bracket is needed per side on all Nano models, except for the long (52") sides of the Trapezoid and Boomerang, which we recommend fitting with two (2) brackets.

