

Wit – Home Edition

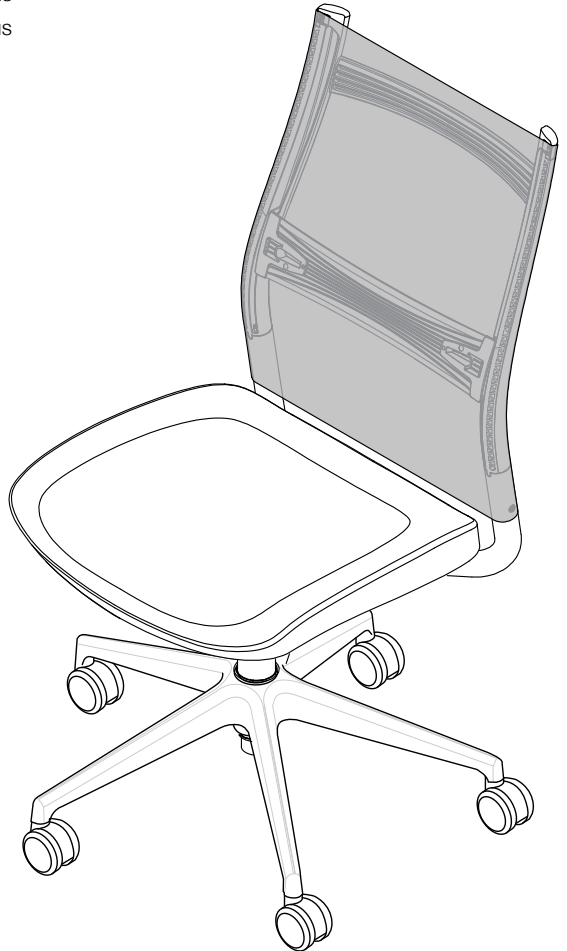
ASSEMBLY INSTRUCTIONS

Win with Wit.

Discover a blueprint for coziness and our in-style solution for working at home. Wit® helps you zoom through meetings all day long with a look and feel that won Gold for Design Excellence at the ADEX Awards— one of the largest and most prestigious awards programs for product design.



INSTALLATION VIDEO



To report any issues with this product, contact our customer experience team at: (866) 764-4111 or shopcx@sitonit.net.

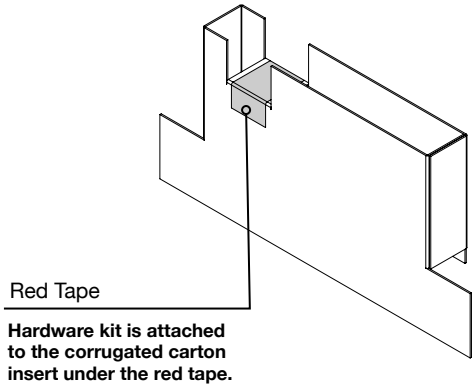
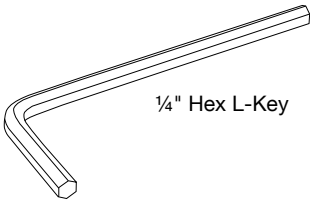


CAUTION

Please read all assembly instructions before installing. Failure to follow instructions could result in product failure or potential injury.

Recommended Tools

- 1/4" Hex L-Key

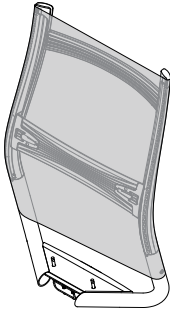


Parts: Chair

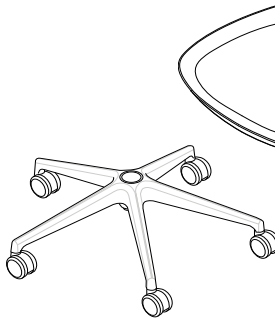
- Back Assembly (1)
- Seat Assembly (1)
- Base Assembly (1)
- Cylinder (1)



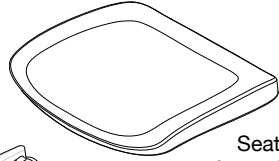
Cylinder



Back Assembly



Base Assembly

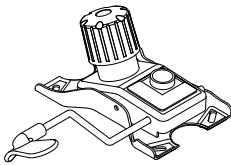


Seat Assembly

Parts: Mechanism (will come attached to seat)

Swivel-Tilt Mechanism

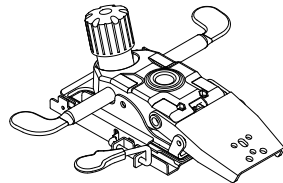
- Hardware Pack:
 - $\frac{5}{16}$ " \times 1" Screw (4)
 - $\frac{5}{16}$ " Washer (4)



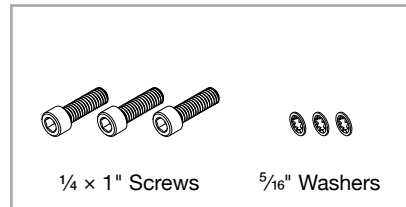
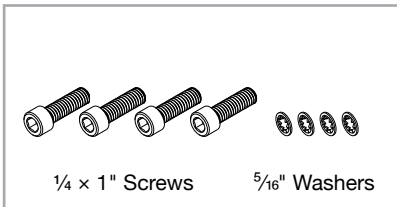
Swivel-Tilt Mechanism

Standard Synchro Mechanism With Seat-Depth Adjustment

- Hardware Pack:
 - $\frac{5}{16}$ " \times 1" Screw (3)
 - $\frac{5}{16}$ " Washer (3)

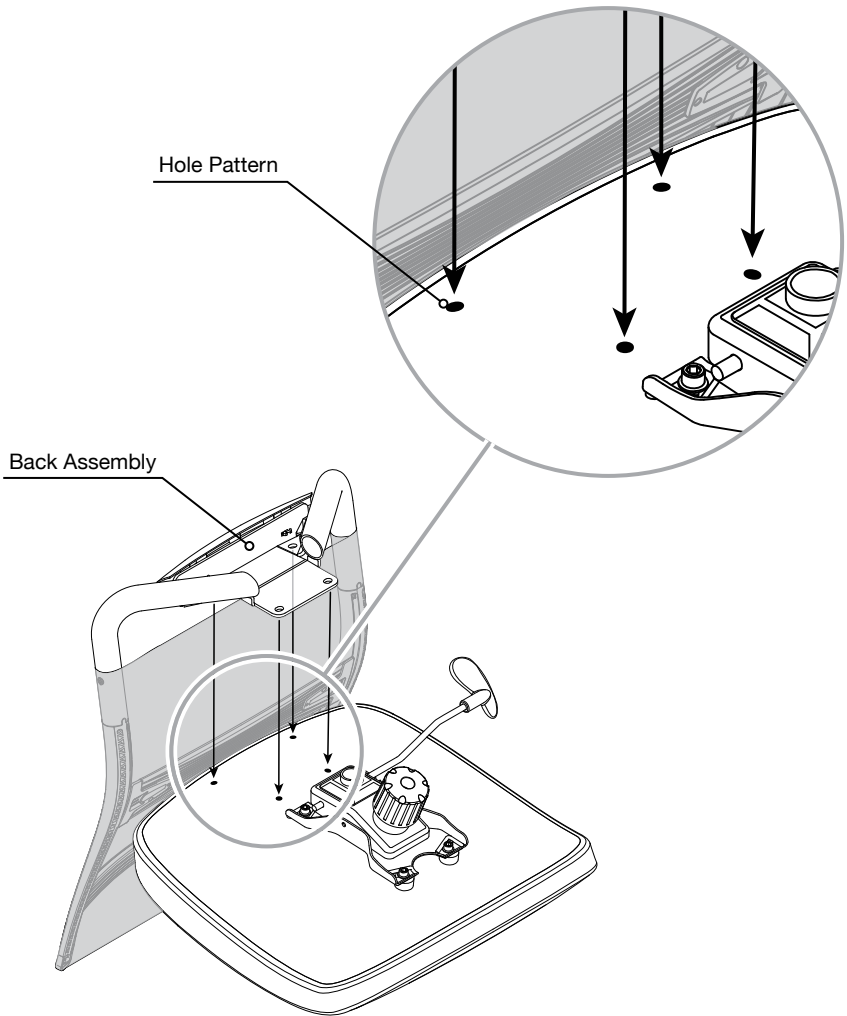


Standard Synchro Mechanism



Step 1: Align the back assembly with the hole pattern on the seat.

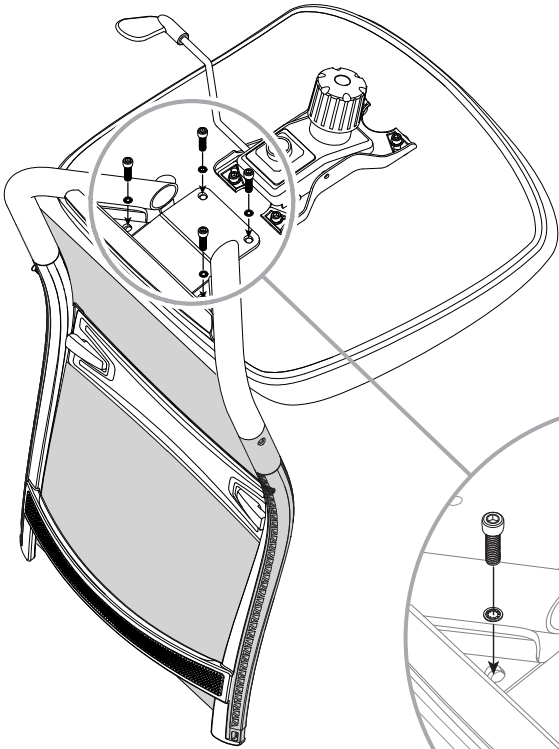
For swivel-tilt mechanism.



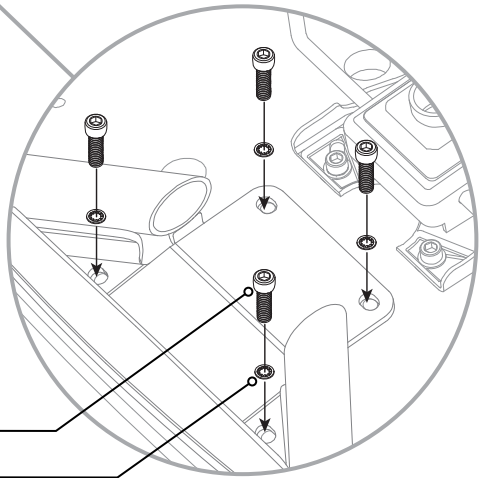
Seat assembly should be placed on a firm flat surface for assembly. You can use the box the chair shipped in or a table for this step

Step 2: Secure the back assembly to the seat assembly.

For swivel-tilt mechanism.



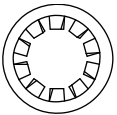
Screws must be tightened to a minimum torque of 150 in-lbs.



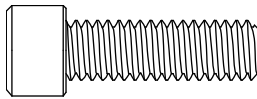
$\frac{5}{16}$ " x 1" Screw

$\frac{5}{16}$ " Washer

1:1 HARDWARE

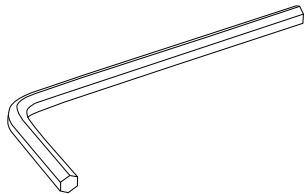


$\frac{5}{16}$ " Washer



$\frac{5}{16}$ " x 1" Screw

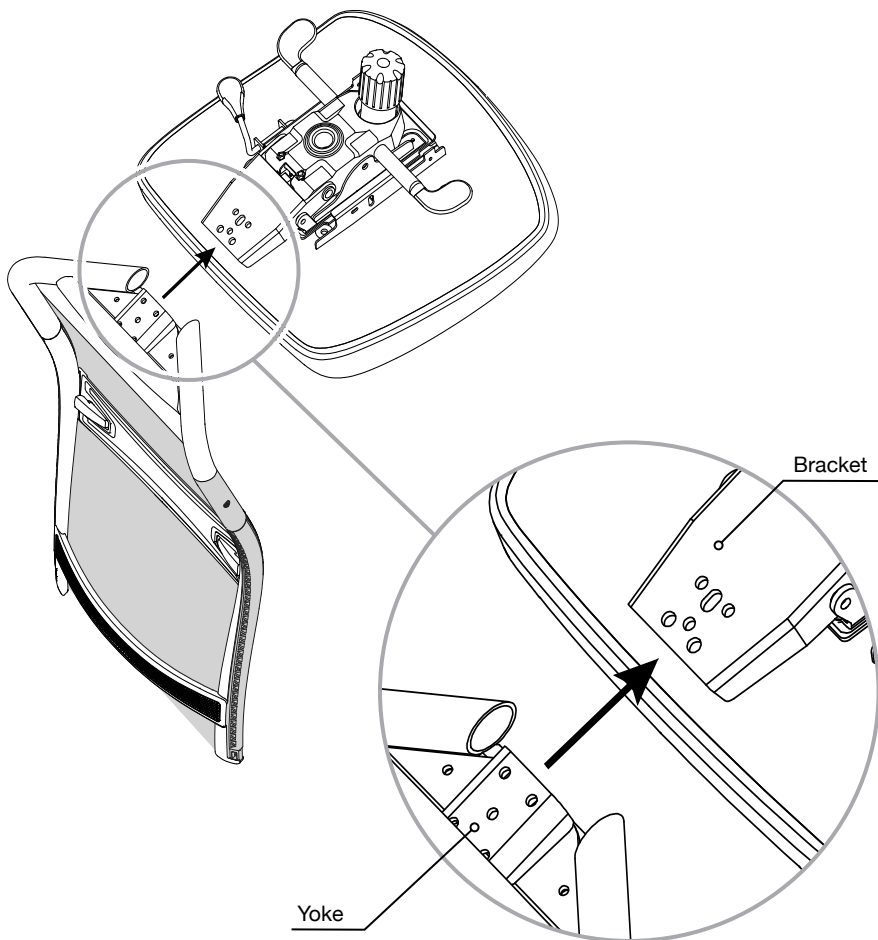
TOOLS



$\frac{1}{4}$ " Hex L-Key
(Provided)

Step 1: Slide the yoke into the mechanism's bracket and align the hole patterns.

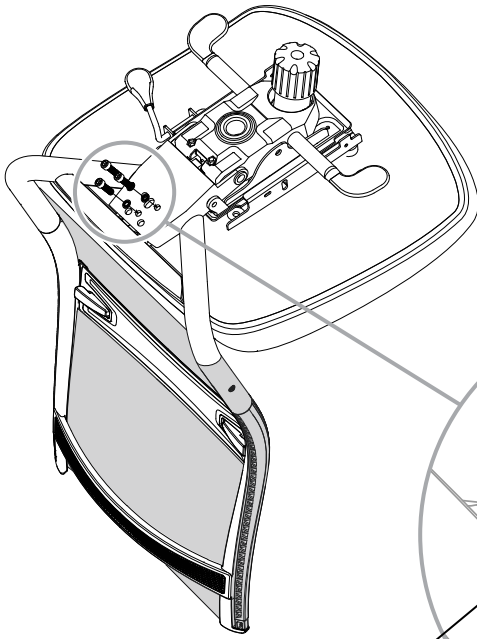
For standard synchro mechanism with seat-depth adjustment



Seat assembly should be placed on a firm flat surface for assembly. You can use the box the chair shipped in or a table for this step

Step 2: Secure the back assembly to the seat assembly.

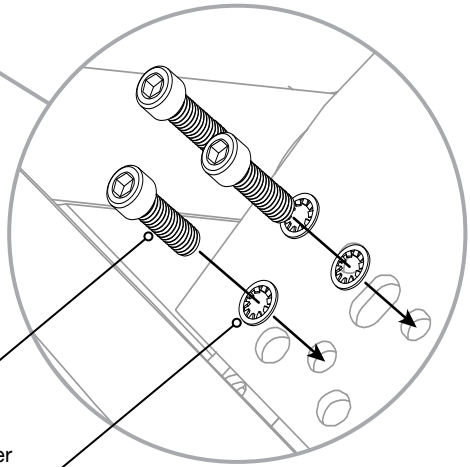
For standard synchro mechanism with seat-depth adjustment



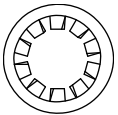
Screws must be tightened to a minimum torque of 150 in-lbs.

$\frac{5}{16}$ " \times 1" Screw

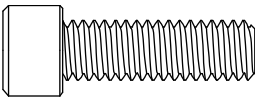
$\frac{5}{16}$ " Washer



1:1 HARDWARE



$\frac{5}{16}$ " Washer



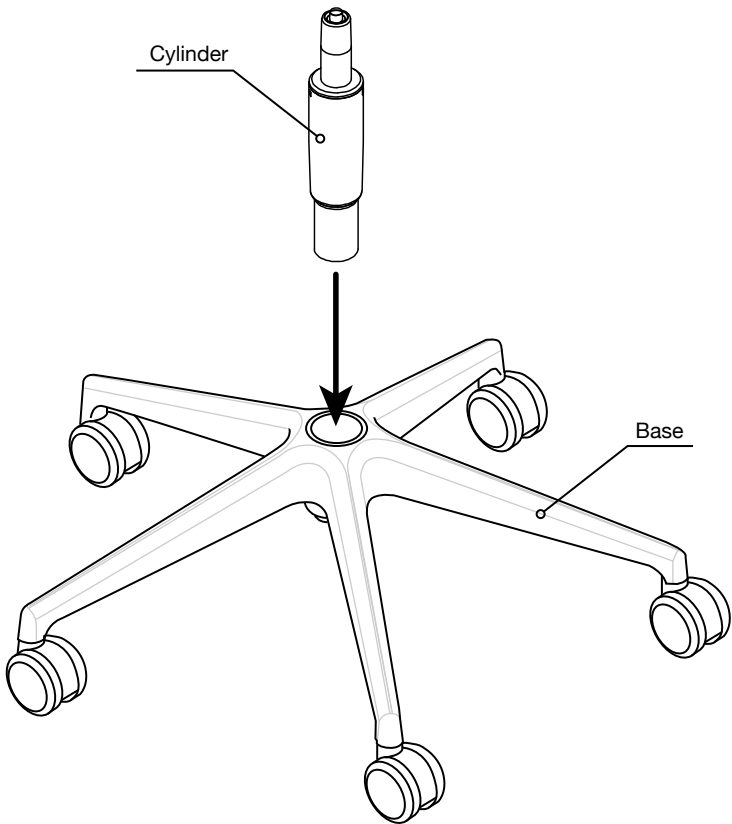
$\frac{5}{16}$ " \times 1" Screw

TOOLS

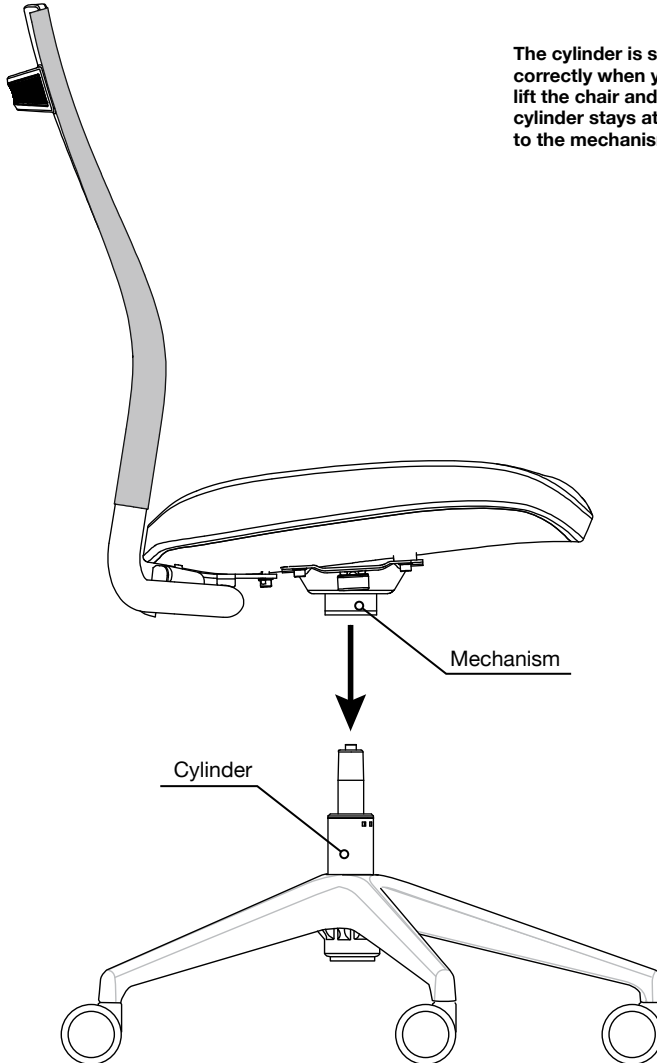


$\frac{1}{4}$ " Hex L-Key (Provided)

Step 3: Push the cylinder into the center of the base.



Step 4: Align the mechanism with the cylinder and push until seated.



The cylinder is seated correctly when you can lift the chair and the cylinder stays attached to the mechanism.

