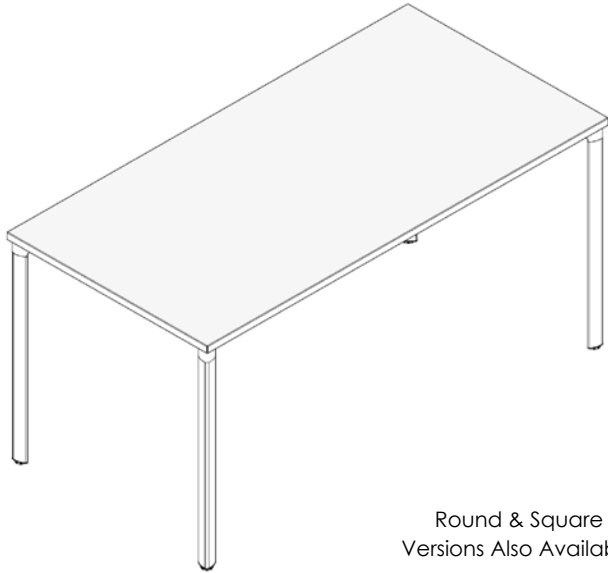


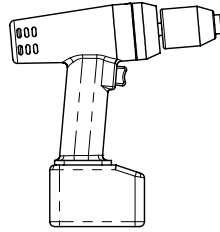
# TENSOR - MAIN DESK ASSEMBLY INSTRUCTIONS

**IMPORTANT: PLEASE READ ALL INSTRUCTIONS BEFORE STARTING ASSEMBLY.**

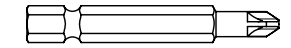
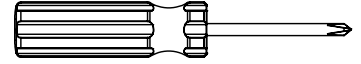


Round & Square  
Versions Also Available

## REQUIRED TOOLS

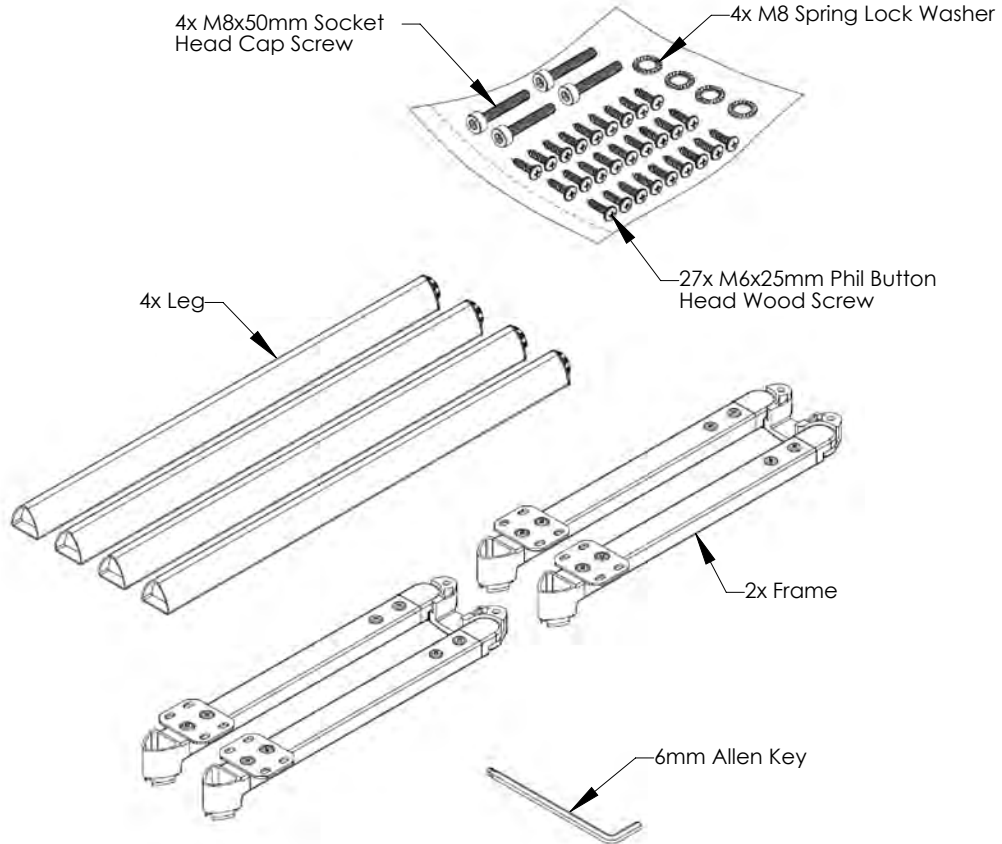


Cordless Drill/Driver  
(Do not over-tighten screws)

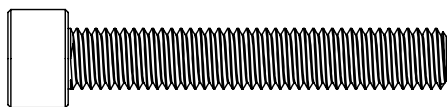


#2 Phillips Screwdriver or Bit

## COMPONENTS



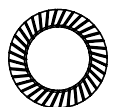
## 1:1 SCALE



M8x50mm Socket Head Cap Screw



M6x25mm Phil Button  
Head Wood Screw

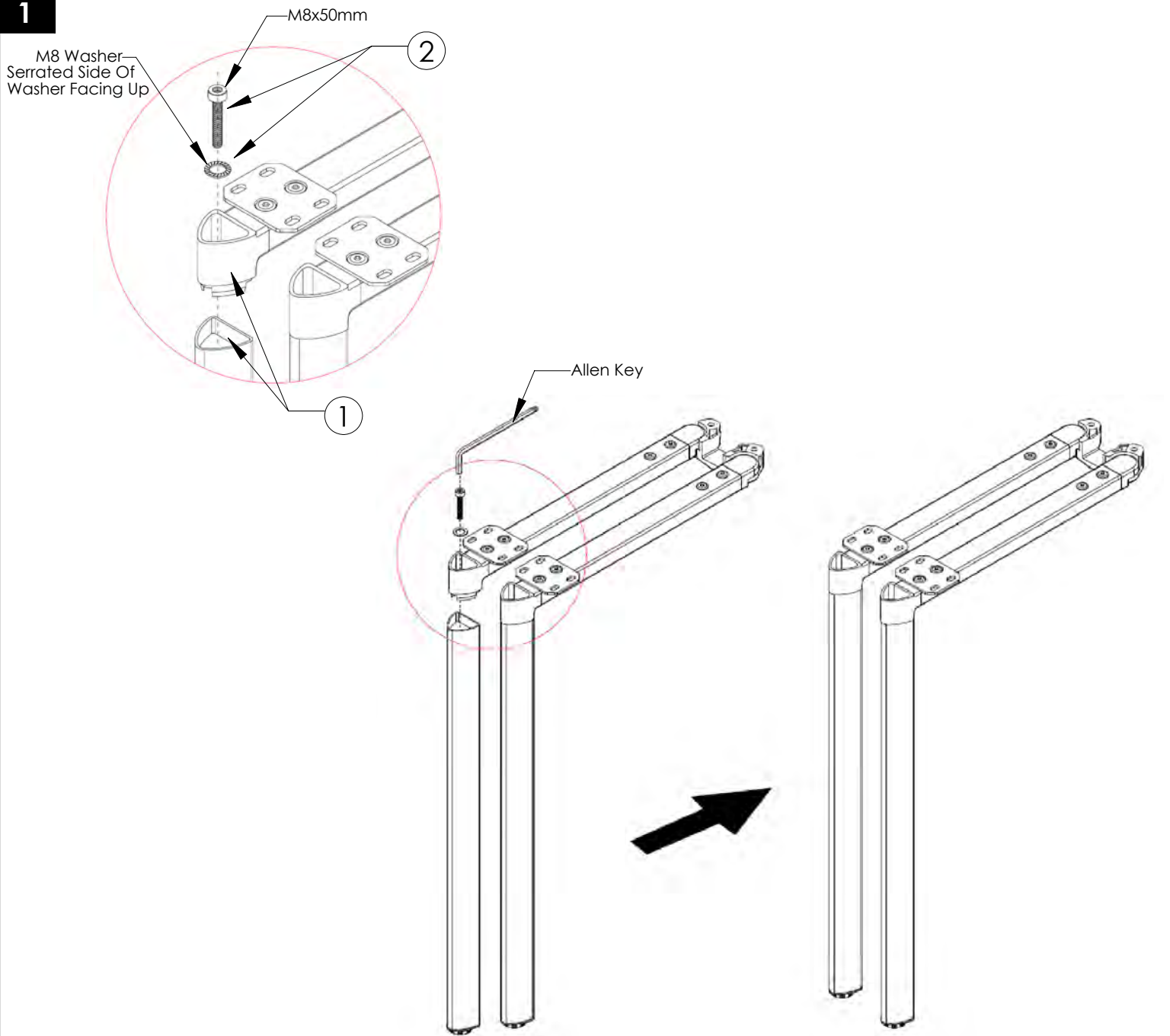


M8 Spring Lock Washer

To report any issues with this product, please contact our customer service department at (888) 552-5699

# TENSOR - MAIN DESK ASSEMBLY INSTRUCTIONS

1



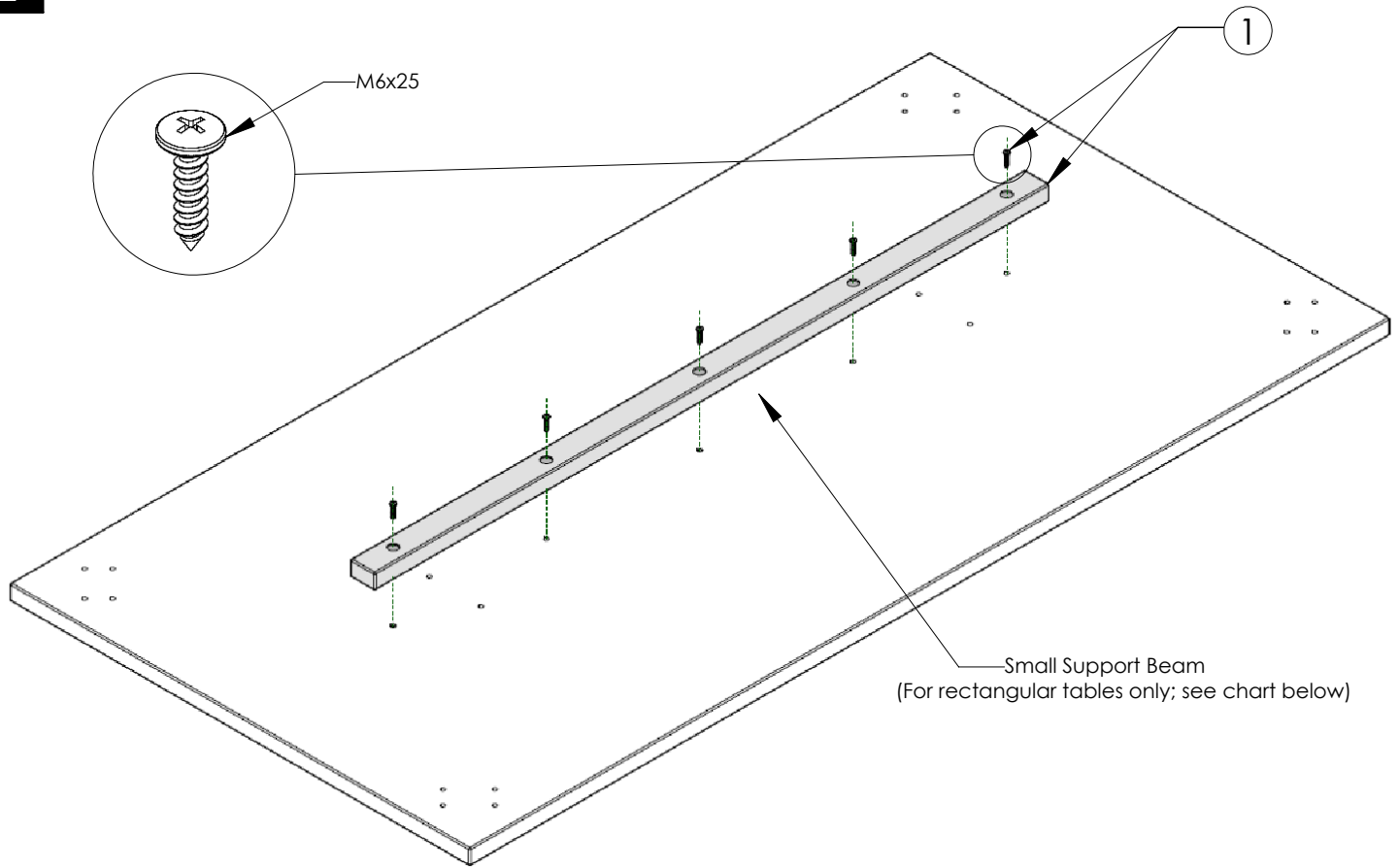
## Steps:

1. Install leg onto frame per illustration. Ensure the leg is fully seated onto frame before tightening.
2. Install M8x50mm screw with washer using provided Allen key.
3. Repeat step 2 for remaining legs.

To report any issues with this product, please contact our customer service department at (888) 552-5699

# TENSOR - MAIN DESK ASSEMBLY INSTRUCTIONS

2



Rectangular Tables		
Table Length	Support Bar Type	# of M6x25 Wood Screws
36"	N/A	N/A
42"	N/A	N/A
48"	Small	5
54"	Small	5
60"	Small	5
66"	Small	5
72"	Large	7

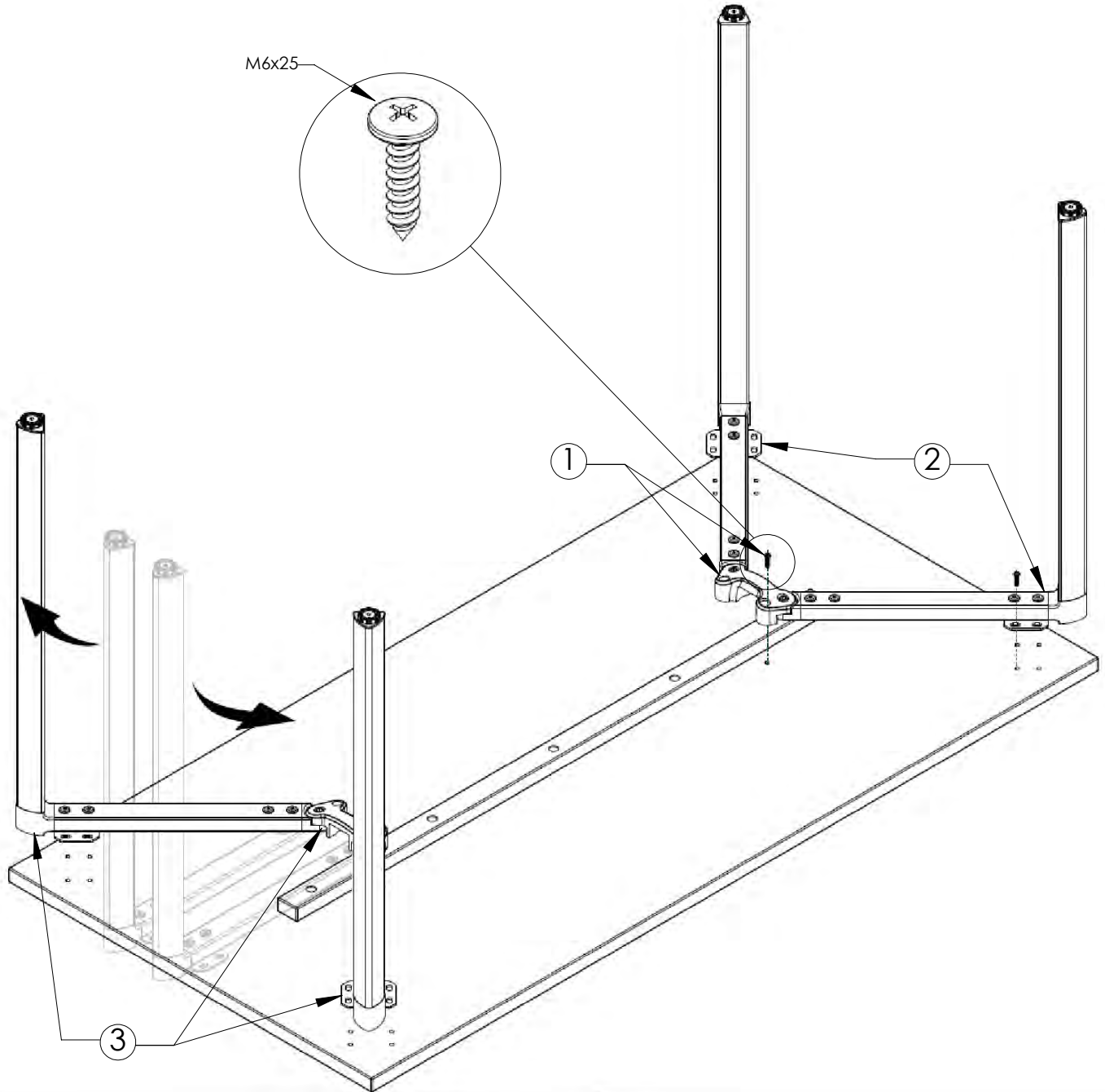
## Steps:

1. Install support beam to table using appropriate number of screws determined by table length in chart above.

To report any issues with this product, please contact our customer service department at (888) 552-5699

# TENSOR - MAIN DESK ASSEMBLY INSTRUCTIONS

3



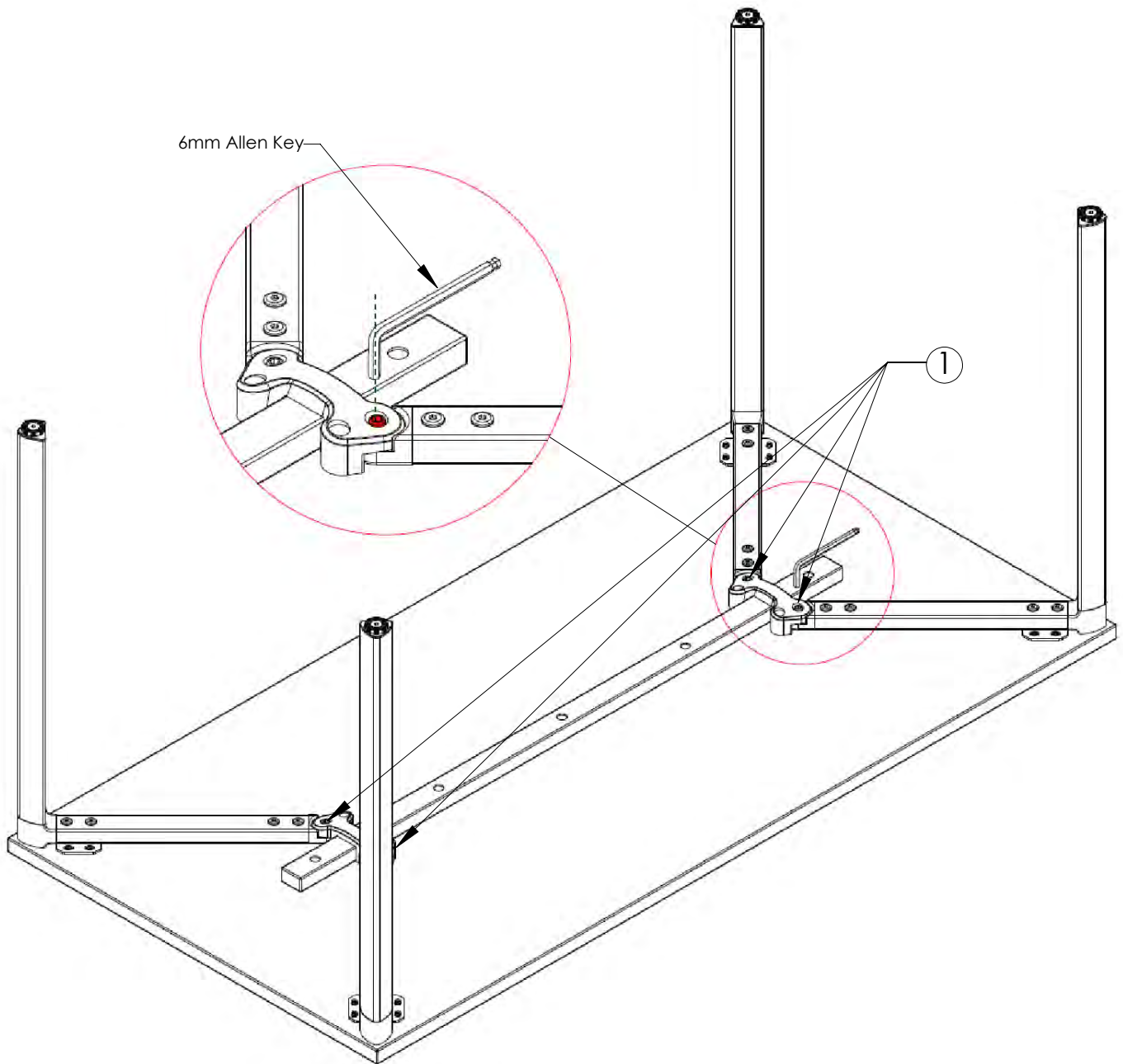
## Steps:

1. Align one frame assembly on 10 pilot holes (spanning the support beam when present). Install (10) M6x25mm wood screws; do not fully tighten.
2. Once all screws have been started and leg alignment is confirmed, fully tighten screws.
3. Repeat steps 1 and 2 for opposite frame assembly.

To report any issues with this product, please contact our customer service department at (888) 552-5699

# TENSOR - MAIN DESK ASSEMBLY INSTRUCTIONS

4



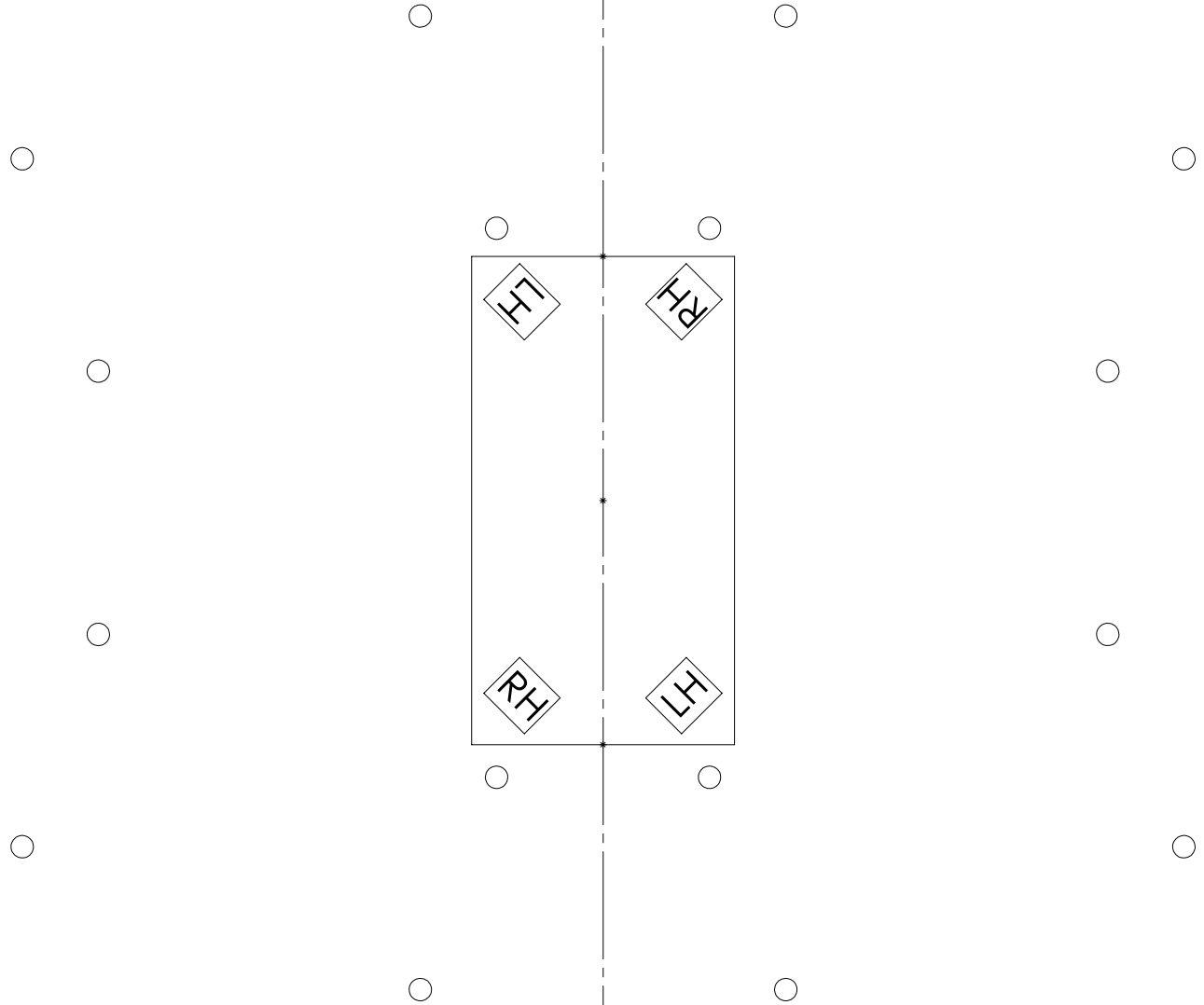
## Steps:

1. Using provided 6mm Allen key, tighten (4) screws as shown
2. Using appropriate assistance, place table upright.

To report any issues with this product, please contact our customer service department at (888) 552-5699

# PILOT HOLE TEMPLATE 18" RECTANGULAR

18" -LH

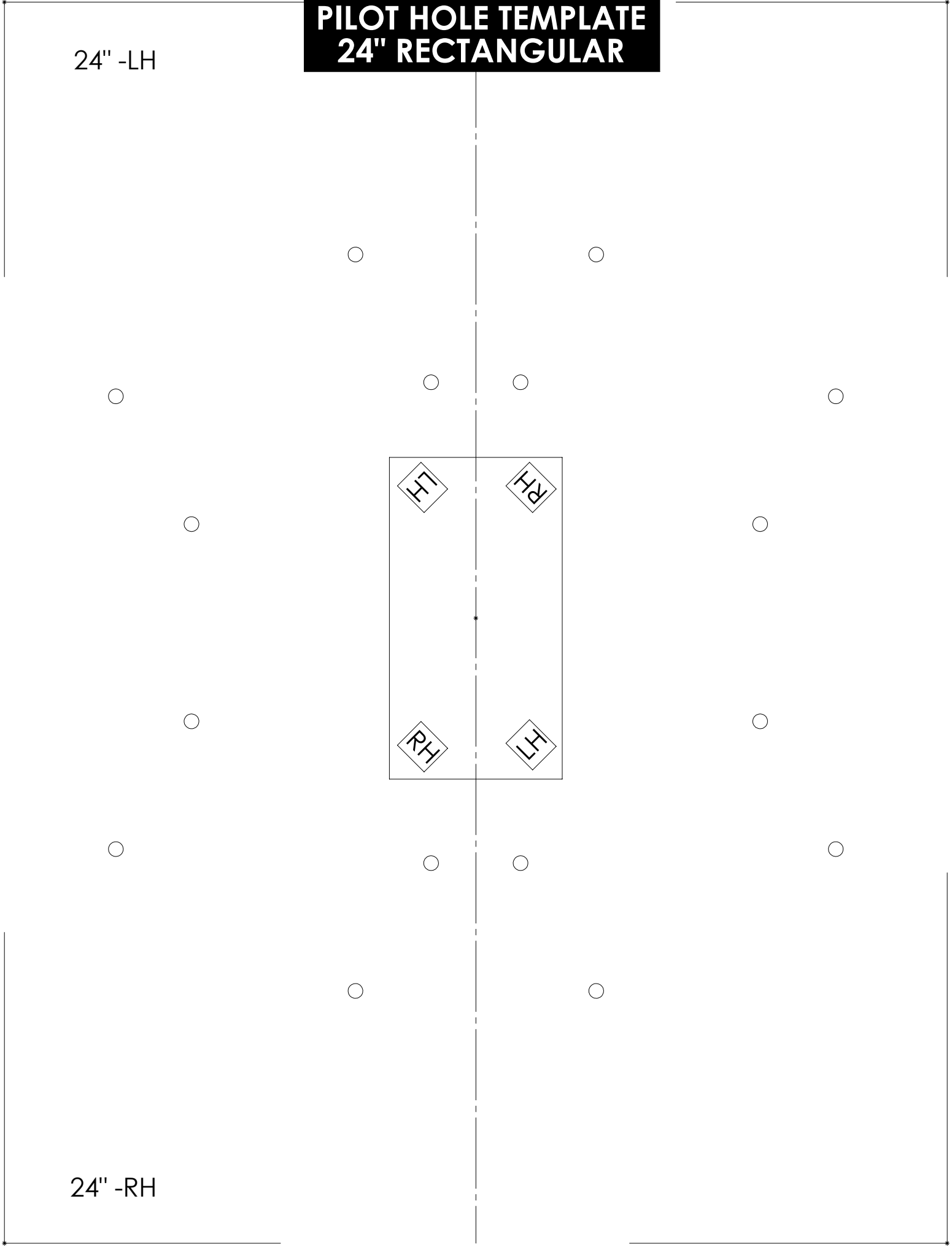


18" -RH

**PILOT HOLE TEMPLATE  
24" RECTANGULAR**

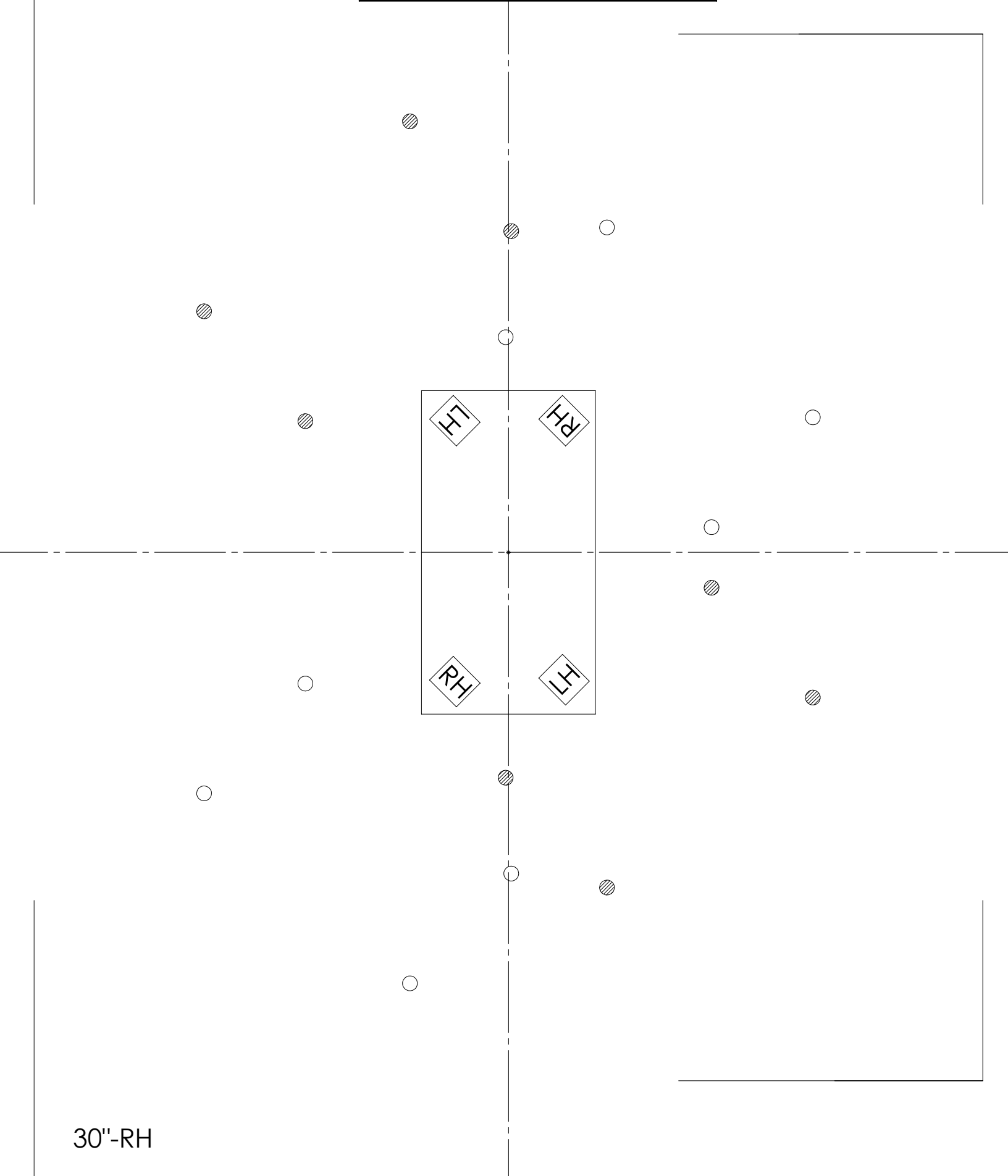
24" -LH

24" -RH



# PILOT HOLE TEMPLATE 30" RECTANGULAR

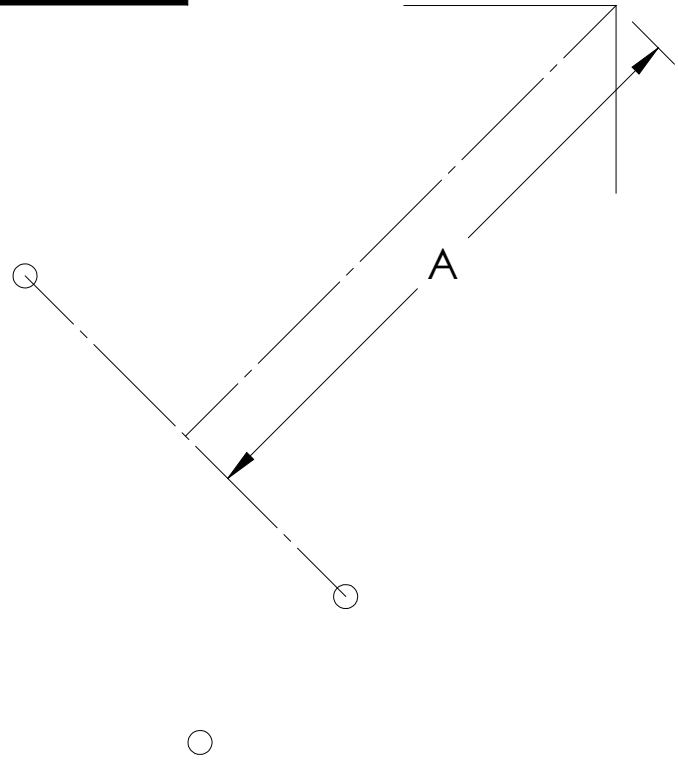
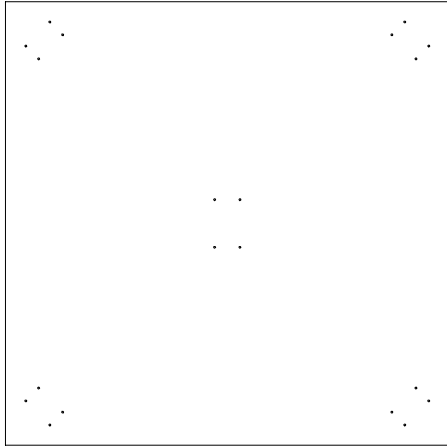
30"-LH



30"-RH

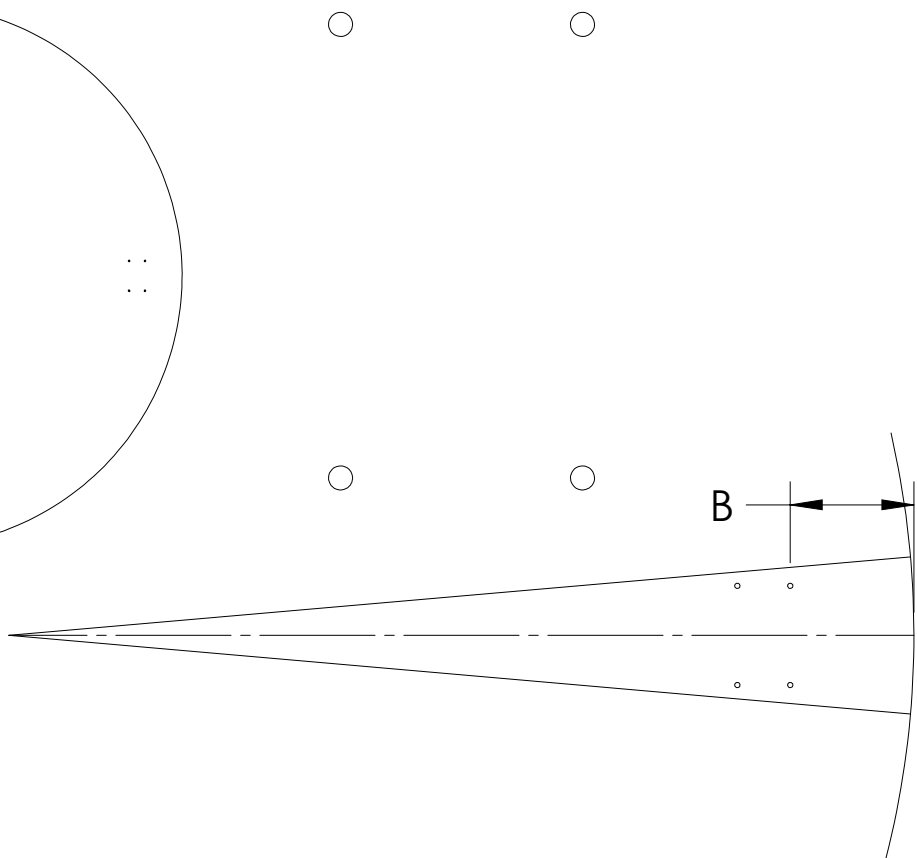
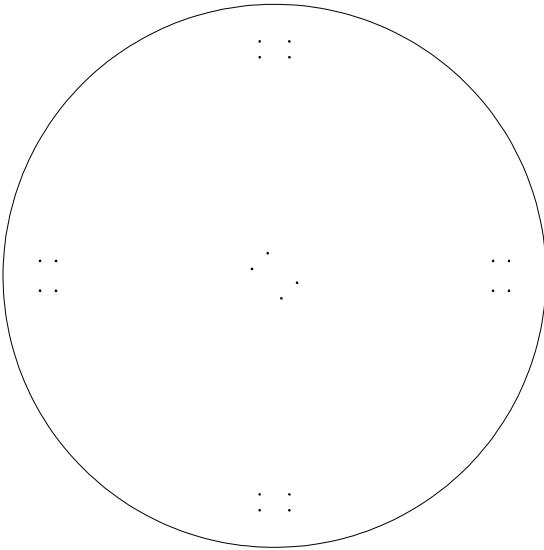


# PILOT HOLE TEMPLATE SQUARE TOP



SIZE	'A'
30 X 30	3.17"
36 X 36	3.36"
42 X 42	7.50"
48 X 48	11.64"

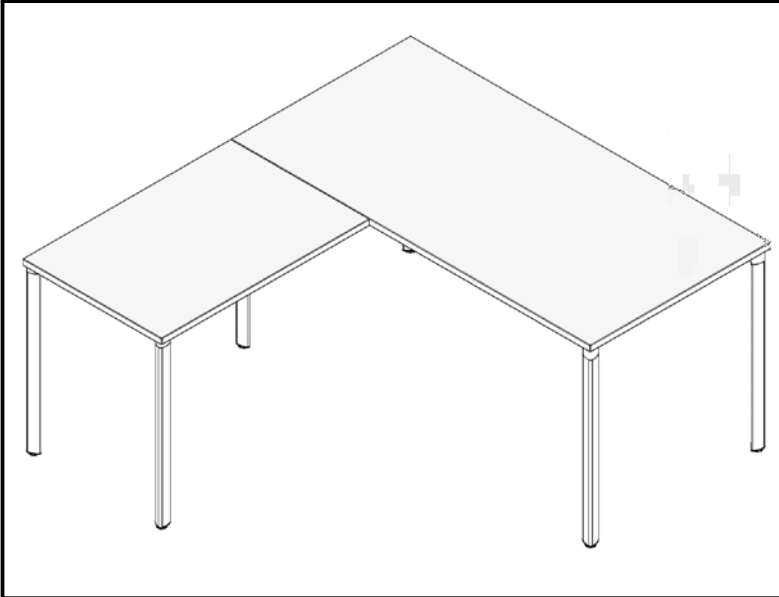
# PILOT HOLE TEMPLATE ROUND TOP



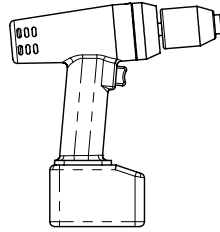
SIZE	'B'
∅ 42	2.94"
∅ 48	5.39"

# TENSOR - RETURN DESK ASSEMBLY INSTRUCTIONS

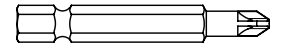
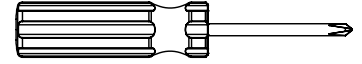
**IMPORTANT: PLEASE READ ALL INSTRUCTIONS BEFORE STARTING ASSEMBLY.**



## REQUIRED TOOLS



Cordless Drill/Driver  
(Do not over-tighten screws)

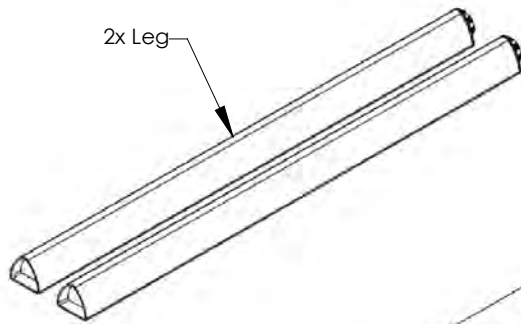


#2 Phillips Screwdriver or Bit

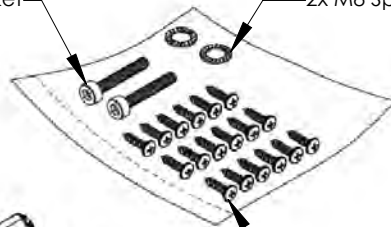
## COMPONENTS

2x M8x50mm Socket Head Cap Screw

2x M8 Spring Lock Washer



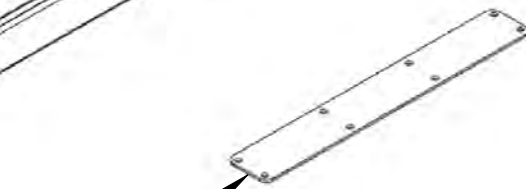
2x Leg



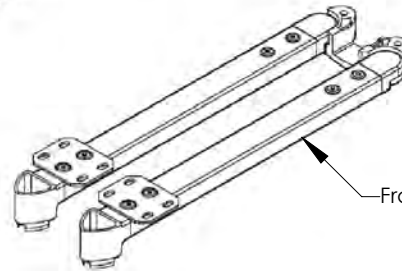
18x M6x25mm Phil Button Head Wood Screw



6mm Allen Key

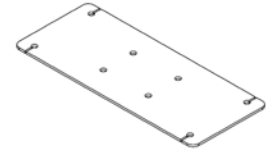
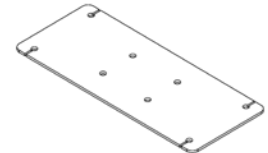


Mending Plate



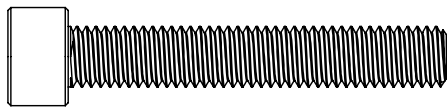
Frame

54" & 60" Returns only



M6 X 20

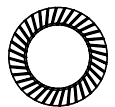
## 1:1 SCALE



M8x50mm Socket Head Cap Screw



M6x25mm Phil Button Head Wood Screw

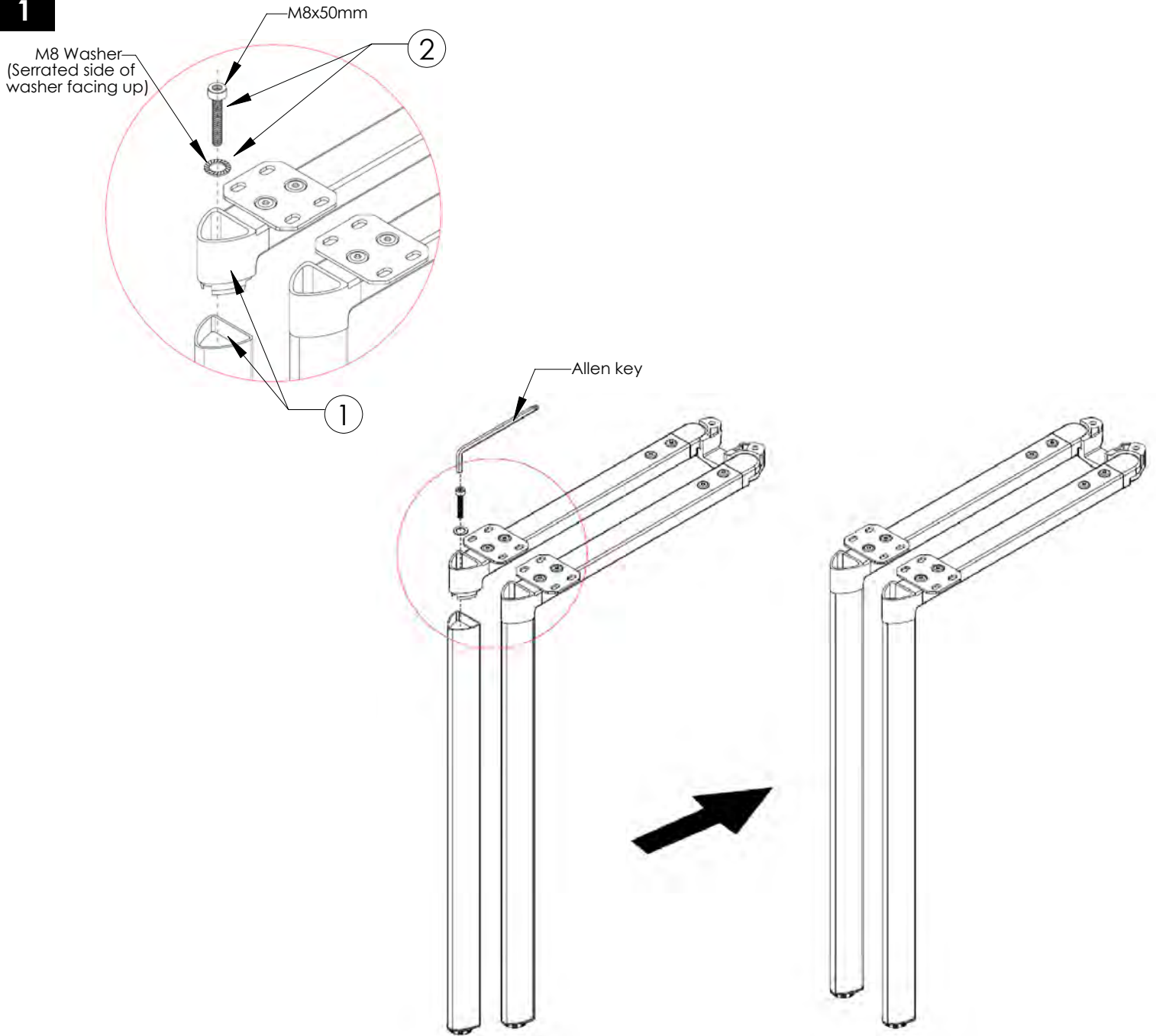


M8 Spring Lock Washer

To report any issues with this product, please contact our customer service department at (888) 552-5699

# TENSOR - RETURN DESK ASSEMBLY INSTRUCTIONS

1



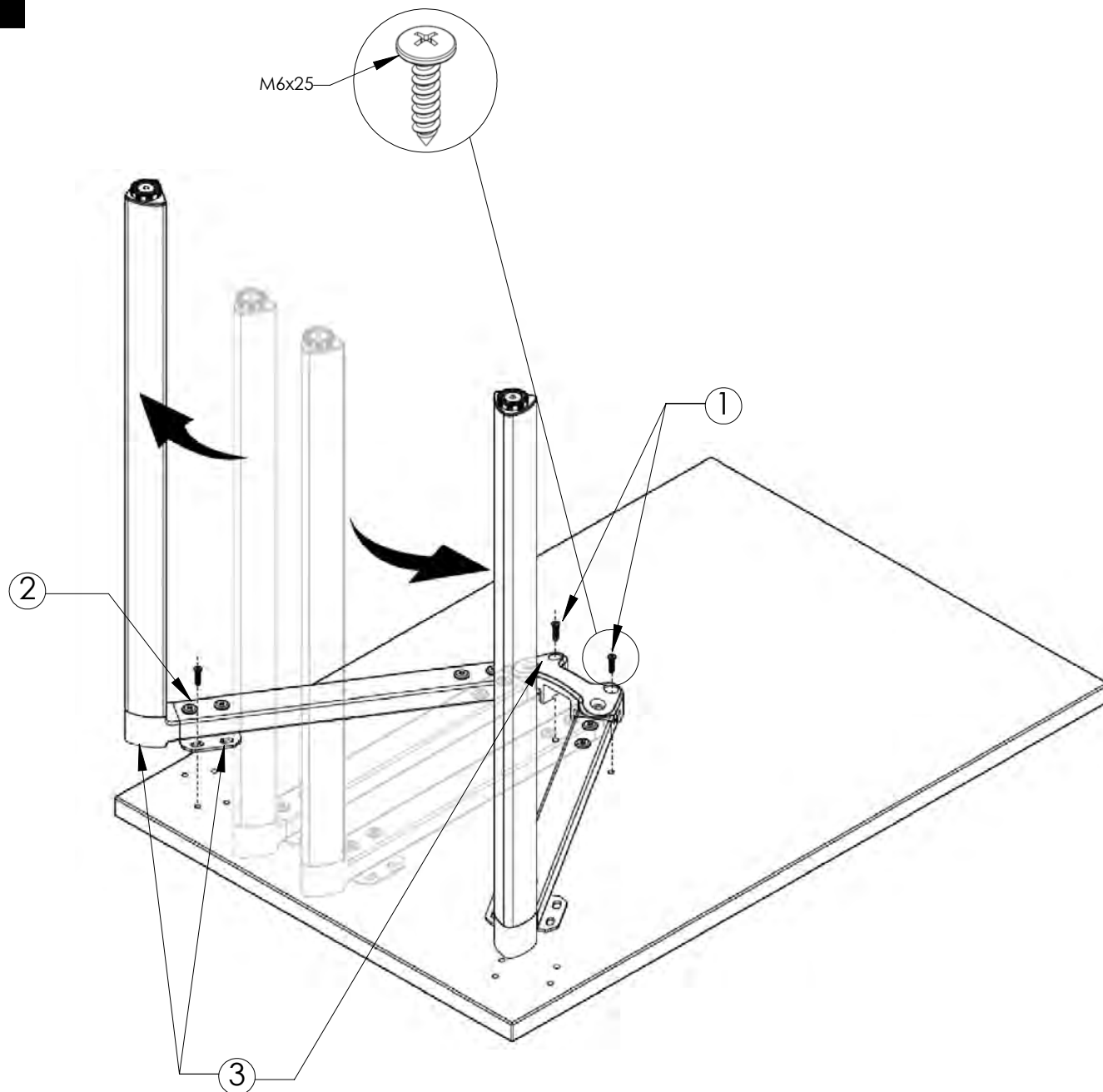
## Steps:

1. Install leg onto frame per illustration. Ensure the leg is fully seated onto frame before tightening.
2. Install M8x50mm screw with washer using provided Allen key.
3. Repeat Step 2 for remaining leg.

To report any issues with this product, please contact our customer service department at (888) 552-5699

# TENSOR - RETURN DESK ASSEMBLY INSTRUCTIONS

2



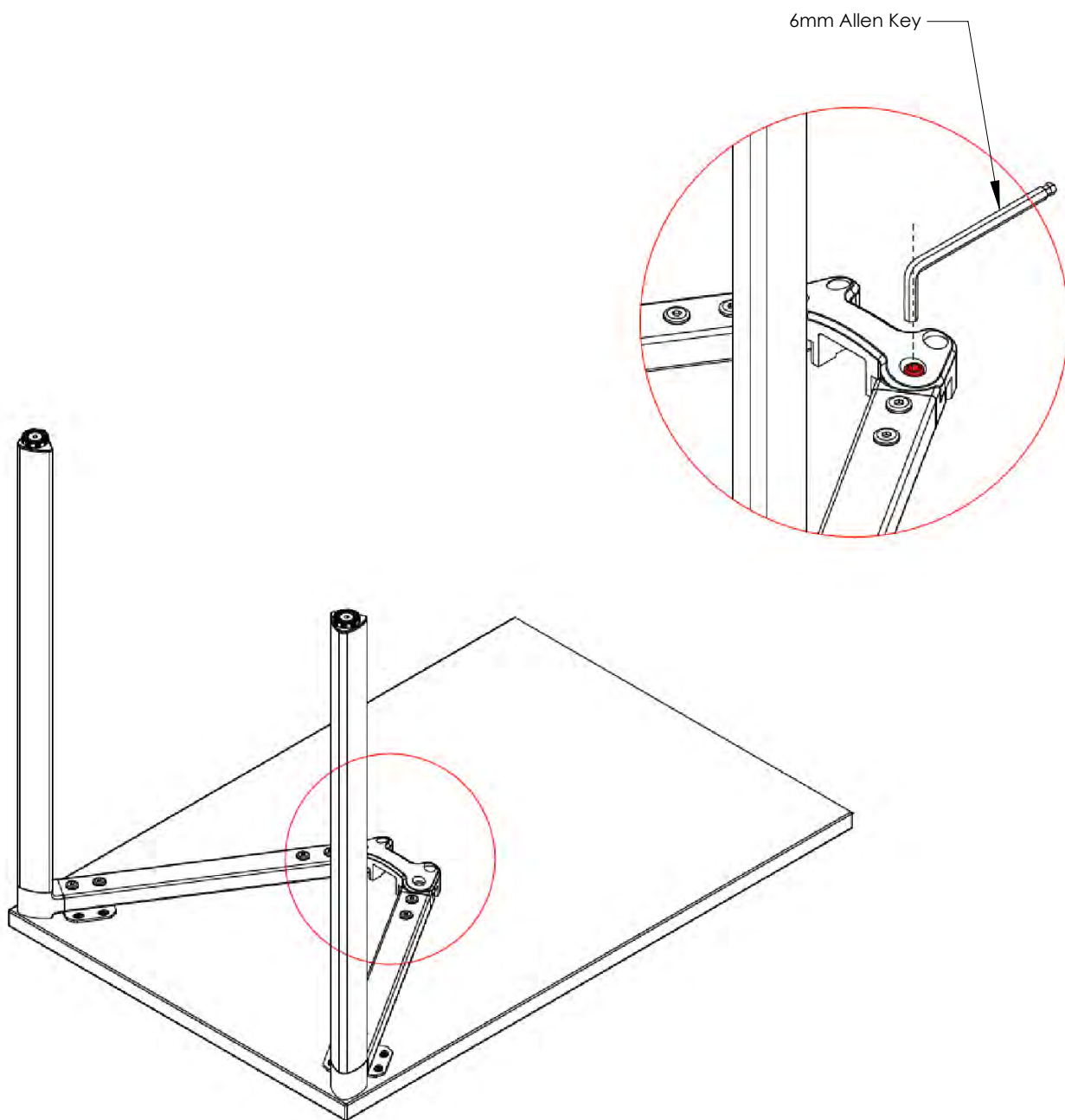
## Steps:

1. Align frame assembly on 10 pilot holes. Install (10) M6x25mm wood screws; do not fully tighten.
2. Once all screws have been started and leg alignment is confirmed, fully tighten screws.

To report any issues with this product, please contact our customer service department at (888) 552-5699

# TENSOR - RETURN DESK ASSEMBLY INSTRUCTIONS

3



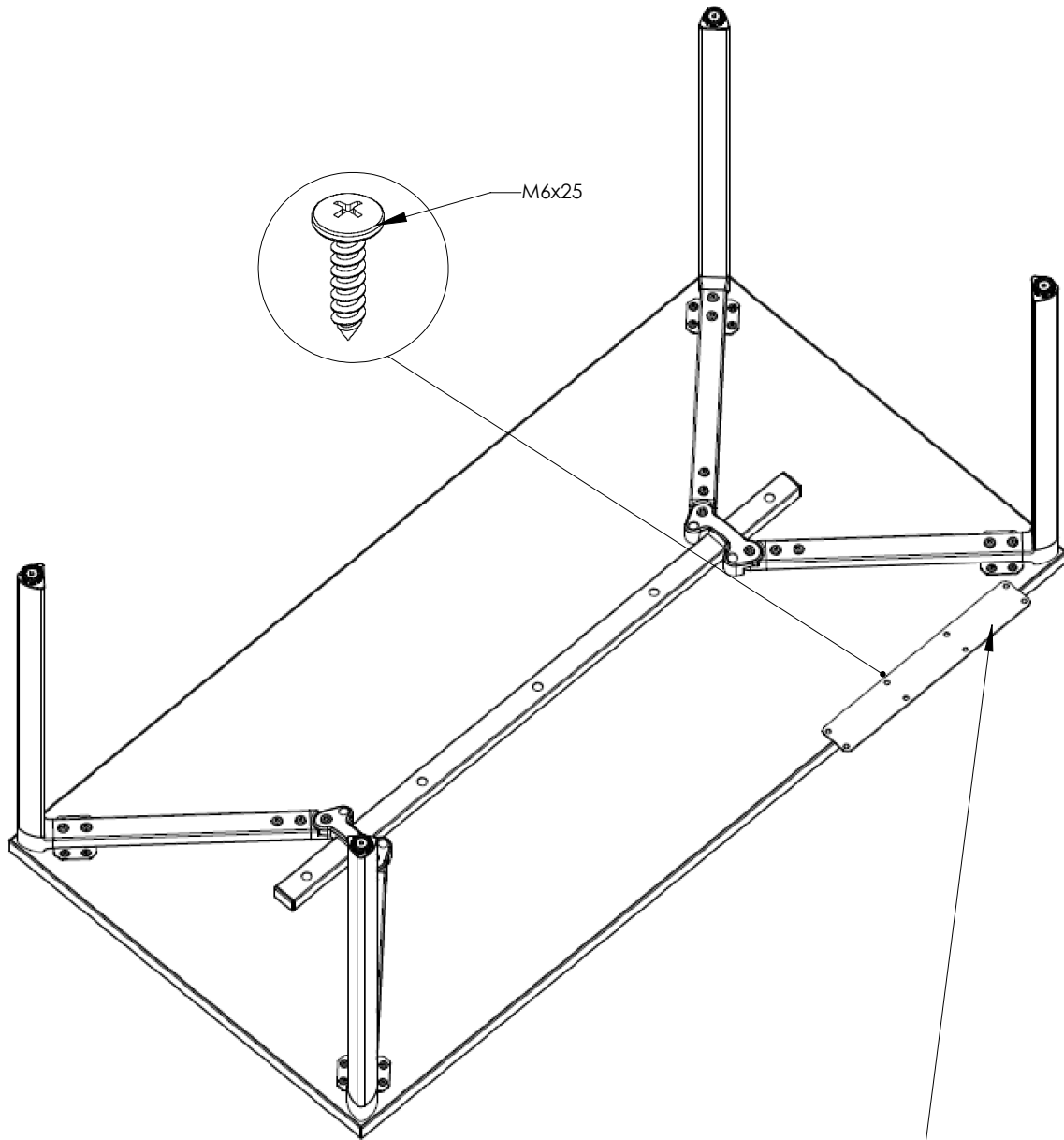
## Steps:

1. Using provided 6mm Allen key, tighten (2) screws as shown.

To report any issues with this product, please contact our customer service department at (888) 552-5699

# TENSOR - RETURN DESK ASSEMBLY INSTRUCTIONS

4



Note: Use this mending plate for returns 36", 42" and 48" long.

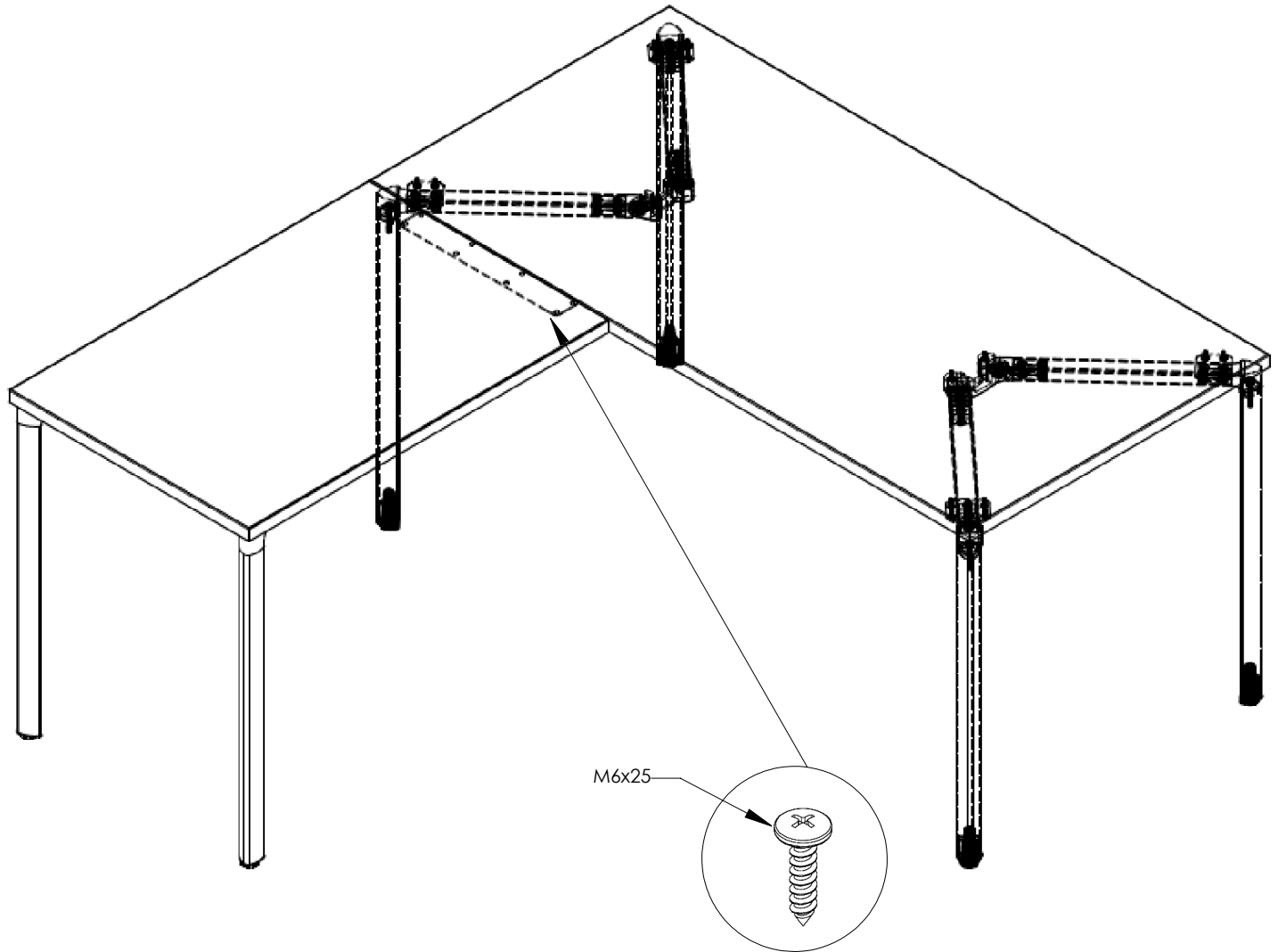
## Steps:

1. Locate the mending plate as near to the center of the return location as possible. The location may vary based on the table width.
2. Install mending plate (included in base carton) to the table using (4) screws provided.

To report any issues with this product, please contact our customer service department at (888) 552-5699

# TENSOR - RETURN DESK ASSEMBLY INSTRUCTIONS

5



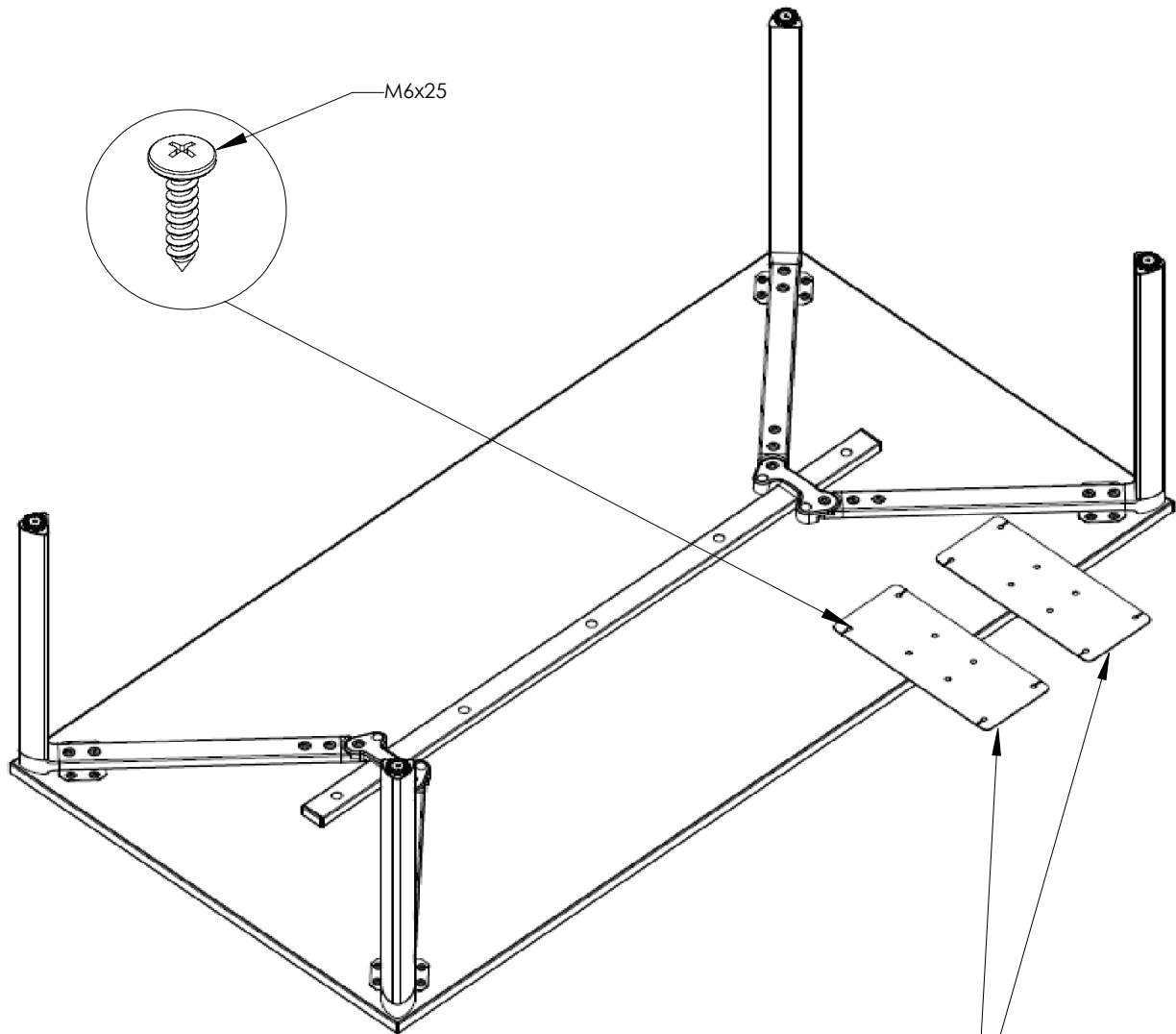
## Steps:

1. Place table upright and position to accept return.
2. Place the return in position on the mending brackets and install the remaining (4) screws with the table upright.

To report any issues with this product, please contact our customer service department at (888) 552-5699

# TENSOR - RETURN DESK ASSEMBLY INSTRUCTIONS

6



## Steps:

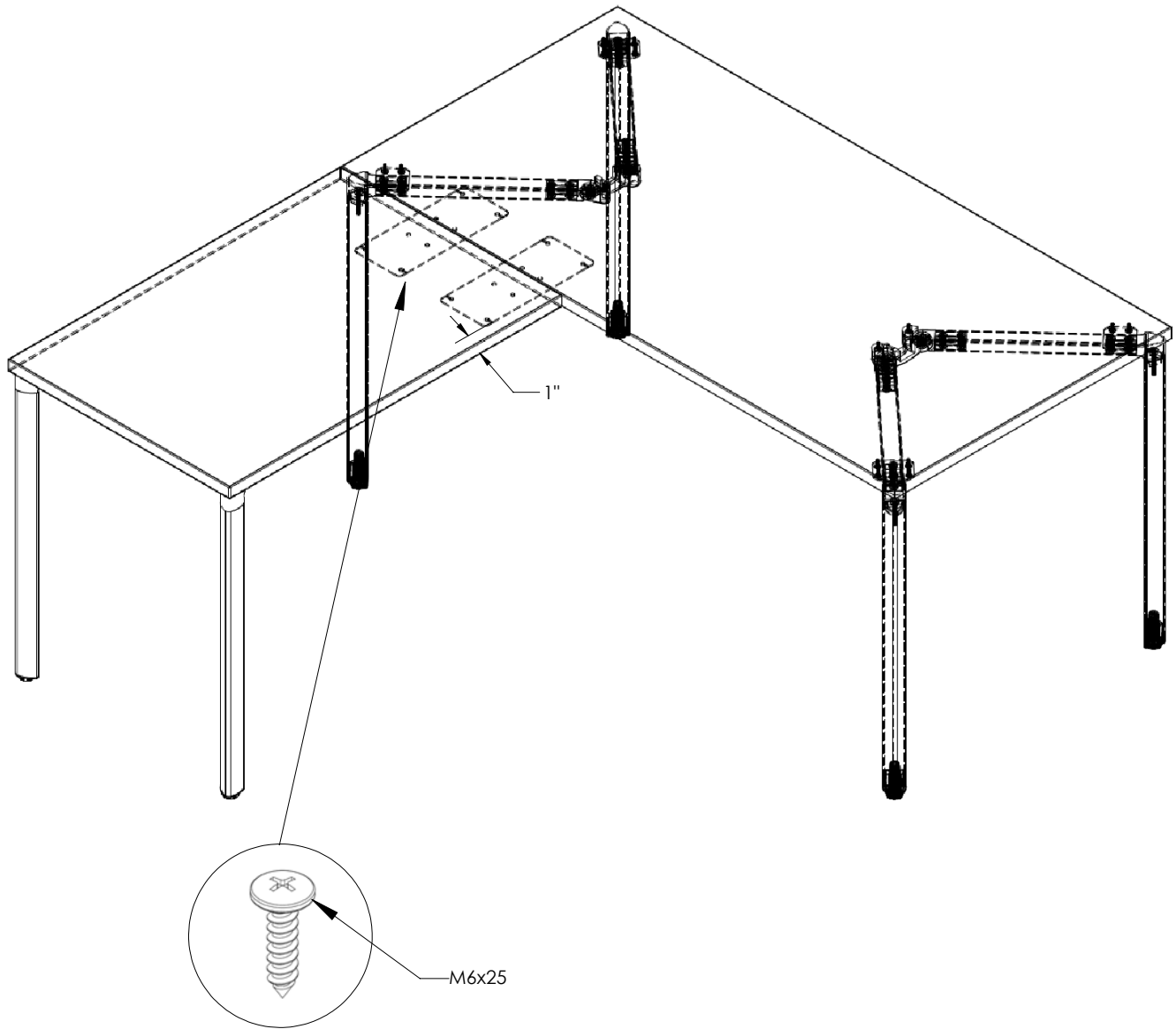
1. Discard the mending plate and associated screws from the base carton and use the mending kit provided separately.
2. Locate the first mending plate 1" from the edge of the return location as shown. Locate the second plate as far from the first as possible.
3. Install mending plates to the table using (8) screws provided.

To report any issues with this product, please contact our customer service department at (888) 552-5699



# TENSOR - RETURN DESK ASSEMBLY INSTRUCTIONS

7



## Steps:

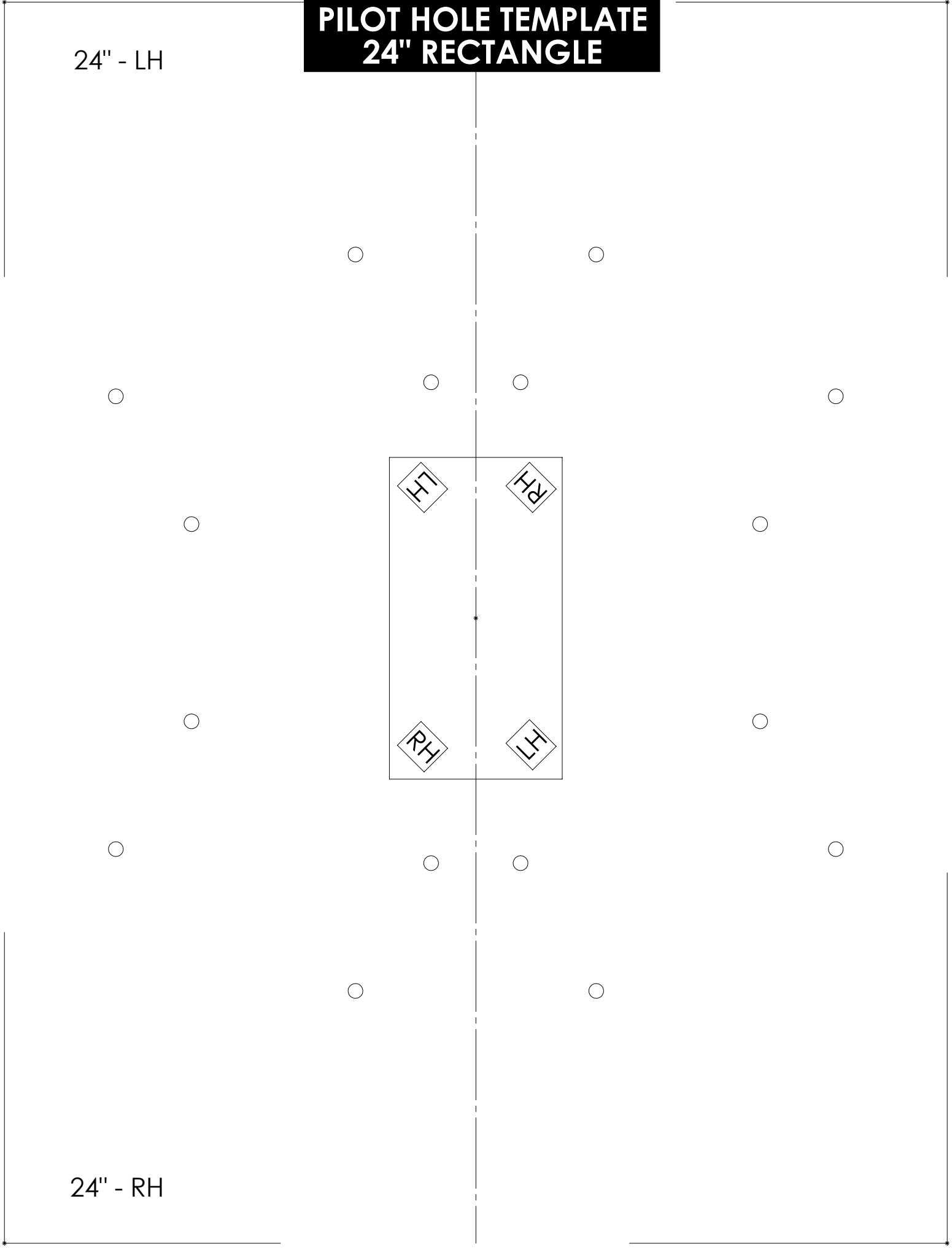
1. Place table upright and position to accept return.
2. Place the return in position on the mending brackets and install the remaining (8) screws with the table upright.

To report any issues with this product, please contact our customer service department at (888) 552-5699

# PILOT HOLE TEMPLATE 24" RECTANGLE

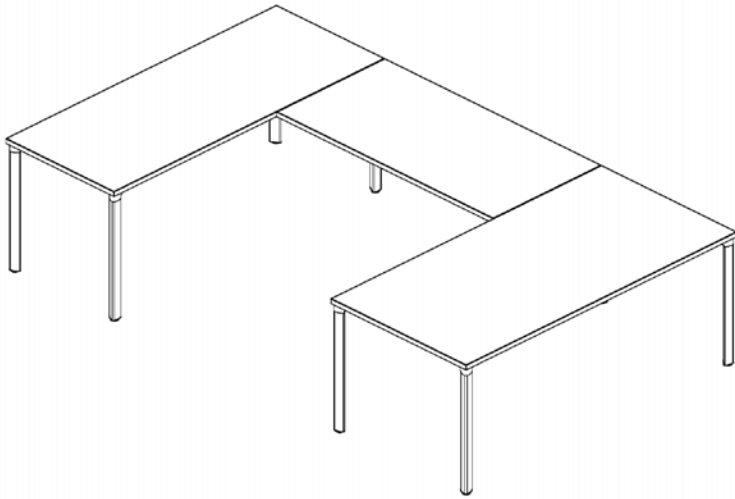
24" - LH

24" - RH

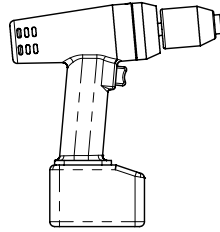


# TENSOR - BRIDGE DESK ASSEMBLY INSTRUCTIONS

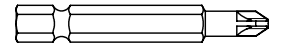
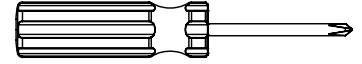
**IMPORTANT: PLEASE READ ALL INSTRUCTIONS BEFORE STARTING ASSEMBLY.**



## REQUIRED TOOLS

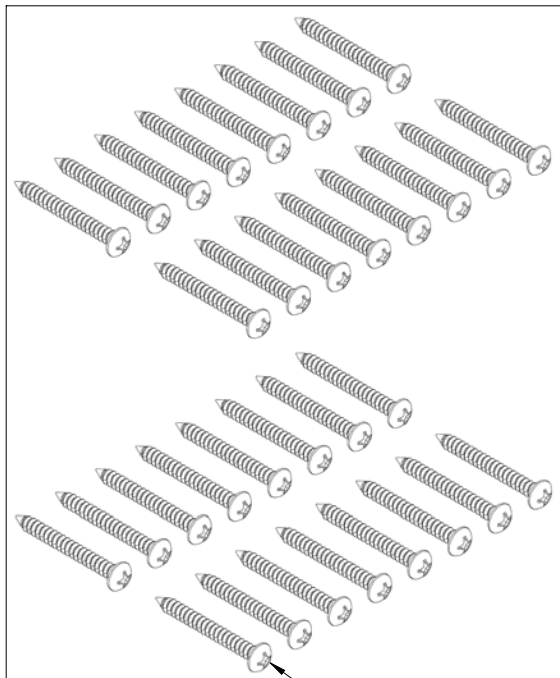


Cordless Drill/Driver  
(Do not over-tighten screws)

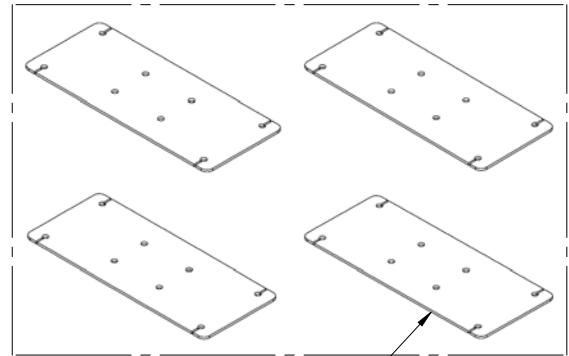


#2 Phillips Screwdriver or Bit

## COMPONENTS



32X M6 X 18mm



4X Mending Plate

## 1:1 SCALE

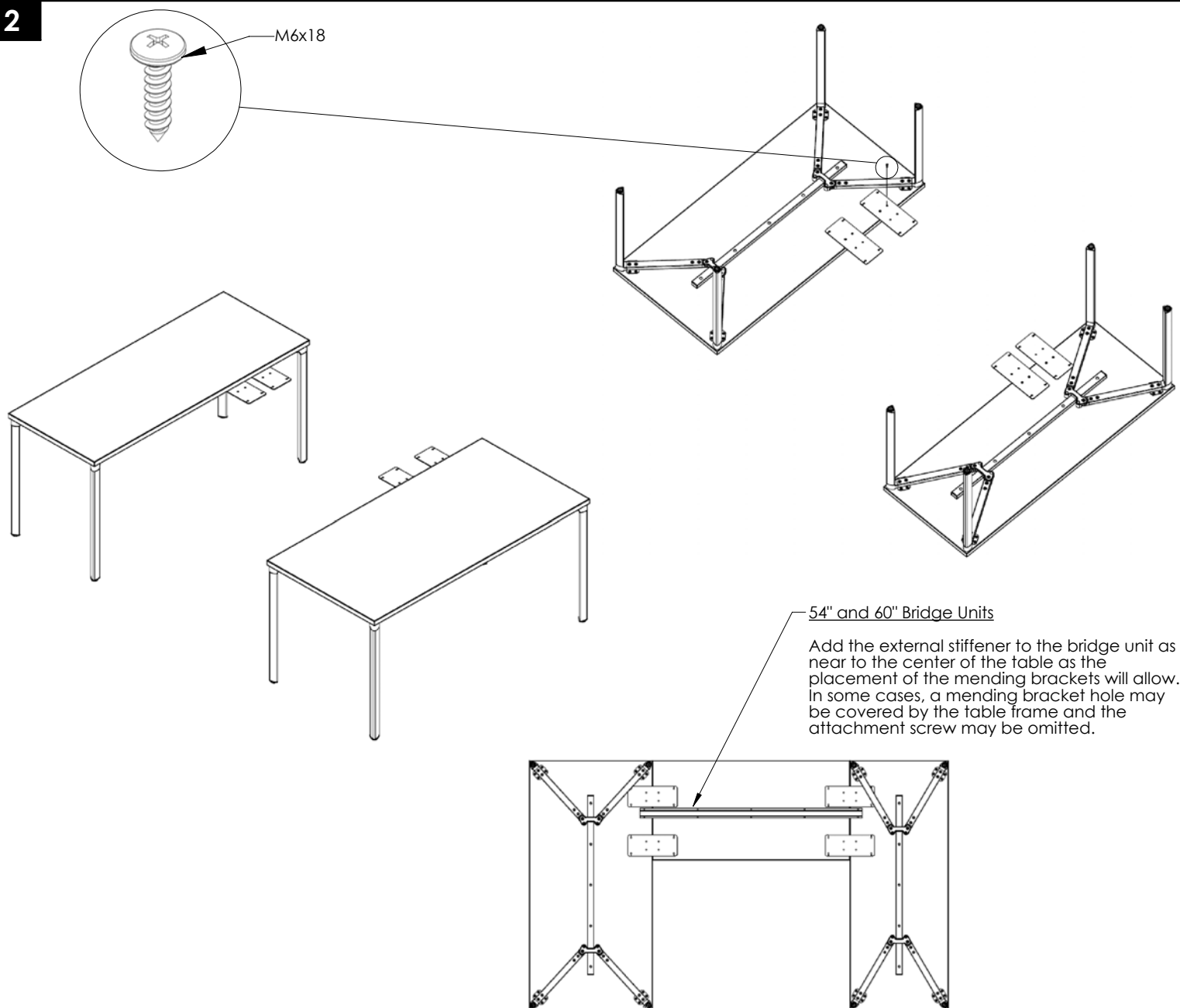


M6x18mm Phil Button  
Head Wood Screw

To report any issues with this product, please contact our customer service department at (888) 552-5699

# TENSOR - BRIDGE DESK ASSEMBLY INSTRUCTIONS

2



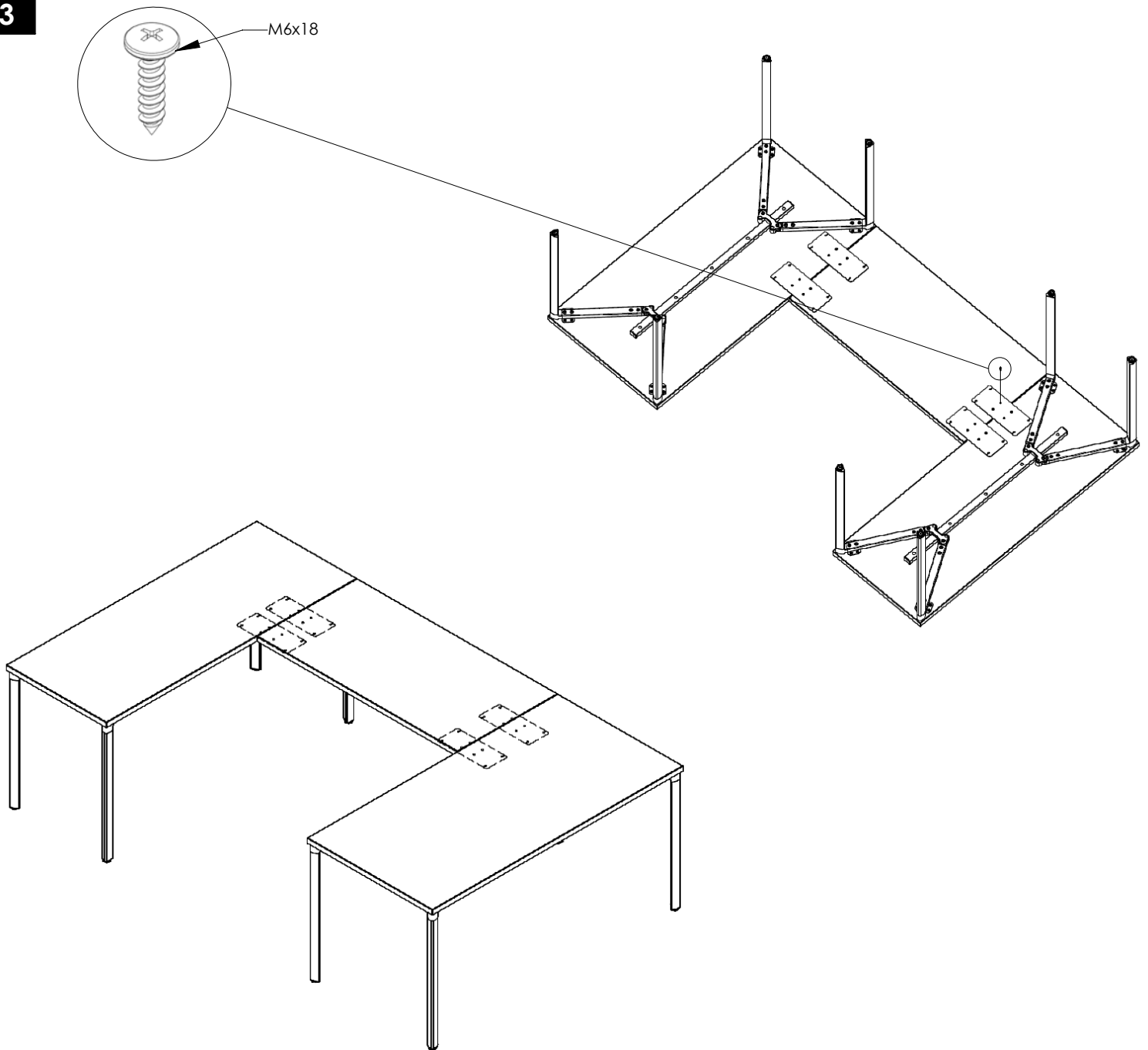
## Steps:

1. Locate the first mending plate 1" from the edge of the bridge location as shown. Install the mending plate to the table using (4) screws.
2. Locate the second mending plate as far away from the first as the table frame will allow. Install the mending plate to the table using (4) screws.
3. Repeat Steps 1 and 2 on other table surface.
4. Place tables upright and position to accept bridge in this position.

To report any issues with this product, please contact our customer service department at (888) 552-5699

# TENSOR - BRIDGE DESK ASSEMBLY INSTRUCTIONS

3



## Steps:

1. Place the bridge in position on the mending brackets between the table surfaces.
2. From under the table, attach the top to the mending brackets using the (16) remaining screws.

To report any issues with this product, please contact our customer service department at (888) 552-5699