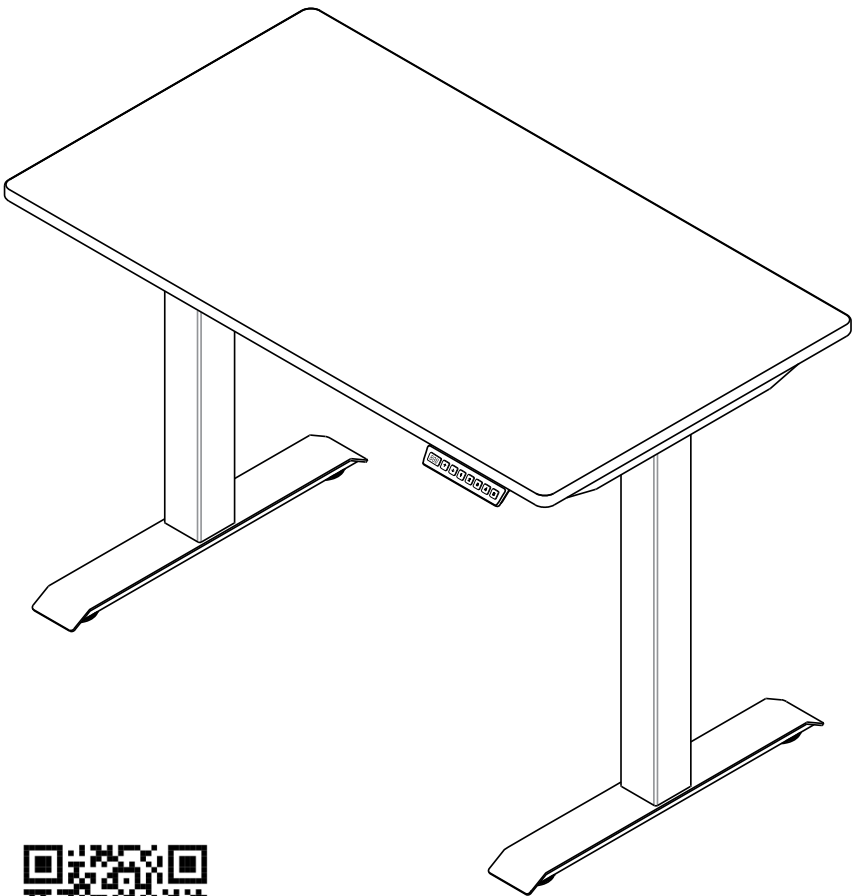


Switchback

HOME EDITION HEIGHT ADJUSTABLE DESK

Find your fit.

Stand or sit, mix it up with the press of a button. Switchback® height-adjustable desk elevates the way you work from home—while maximizing ergonomics and minimizing fatigue.



INSTALLATION VIDEO

C6586 Rev B | www.sitonit.net | 1

Read the entire instruction manual before you start installation and assembly. If you have any questions regarding any of the instructions or warnings, please contact your local distributor for assistance.

To report any issues with this product, contact our customer experience team at: (866) 764-4111 or shopcx@sitonit.net.

IMPORTANT SAFETY INSTRUCTIONS

Read all instructions before using this product. Save these instructions.

When using an electrical product, basic precautions should always be followed, including the following.

DANGER: TO REDUCE THE RISK OF ELECTRIC SHOCK

Use Care When Cleaning

Always unplug this furnishing from the electrical outlet before cleaning. Follow all cleaning guidelines provided by the manufacturer.

IMPORTANT SAFETY INSTRUCTIONS

WARNING: TO REDUCE THE RISK OF BURNS, FIRE, ELECTRIC SHOCK, OR INJURY TO PERSONS:

Approved Users Only

For household/residential use only. Close supervision is necessary when this product is used by, or near children, invalids, or disabled persons.

Keep Dry and Use Care When Cleaning

Keep all electrical components away from water and humidity. Do not operate where aerosol (spray) products are being used or where oxygen is being administered.

Do not use outdoors. This equipment is approved for indoor use only.

Do Not Modify

Use this product only for its intended use as described in these instructions. Do not use attachments not recommended by the manufacturer.

Avoid Damage

Keep the cord away from heated surfaces. Unplug from outlet before putting on or taking off parts. To disconnect, turn all controls to the off position, then remove plug from outlet.

Inspect Regularly

Never operate this product if it has a damaged cord or plug, if it is not working properly, if it has been dropped or damaged, or dropped into water. Return the product to a service center for examination and repair.

Inspect table system regularly and immediately stop using the product if it is damaged or has loose parts.

IMPORTANT SAFETY INSTRUCTIONS



WARNING / AVERTISSEMENT

RISK OF INJURY / RISQUE DE BLESSURE

Maximum load 220 lb including worksurface

Charge maximale 220 lb incluant la surface de travail



WARNING / AVERTISSEMENT

RISK OF FIRE AND SHOCK / RISQUE D'INCENDIE ET DE CHOC

Use only min SJ type or equivalent, 18 AWG cord minimum

Utilisez uniquement un type SJ minimum ou équivalent, cordon 18 AWG minimum



WARNING / AVERTISSEMENT

RISK OF ELECTRIC SHOCK, FIRE, AND INJURY / RISQUE DE CHOC ÉLECTRIQUE, D'INCENDIE ET DE BLESSURE

Review the assembly instructions to confirm that the appropriate critical components and accessories are being used with the furnishing

Consultez les instructions d'assemblage pour confirmer que les composants et accessoires essentiels appropriés sont utilisés avec l'équipement

IMPORTANT SAFETY INSTRUCTIONS

Servicing of Double-Insulated Products

In a double-insulated product, two systems of insulation are provided instead of grounding. No grounding means is provided on a double-insulated product, nor is a means for grounding to be added to the product. Servicing a double-insulated product requires extreme care and knowledge of the system and is to be done only by qualified service personnel. Replacement parts for a double-insulated product must be identical to the parts they replace. A double-insulated product is marked with the words "DOUBLE INSULATION" or "DOUBLE INSULATED".

**WARNING****RISK OF DEATH AND SERIOUS INJURY****Do Not Overload Table**

Make sure the table system is not overloaded by the weight of the tabletop and objects on table. Evenly distribute load; excess loads near the edges can reduce stability and lead to tip-over. Do not exceed maximum load of 220 lb.

Assemble With Care

Failure to follow instructions could result in product failure or potential injury. Keep fingers clear of pinch points

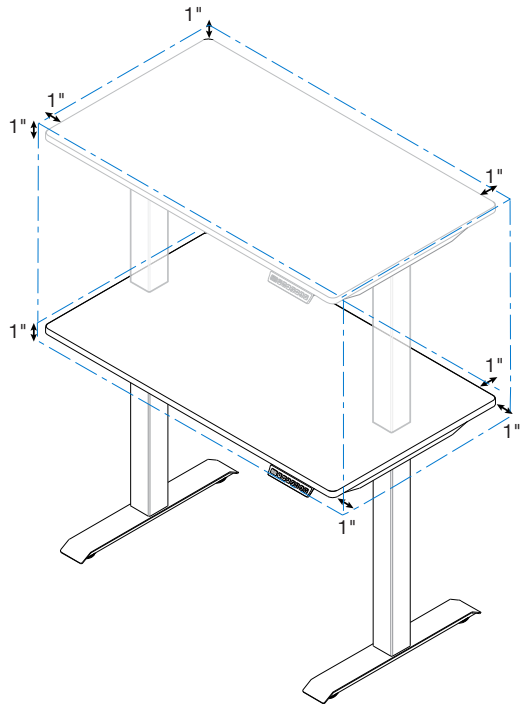
Use Care to Keep the Table From Tipping Over

Before moving the table system, clear all objects and equipment from the table to reduce the risk of tipping over. Do not lift the table system by the tabletop. Adjust the table to its lowest height before moving. In order to avoid risk of tipping or collapse, make sure corded objects will not be pulled off the table or cause other objects to fall.

Clearance Around the Table

Confirm that the surroundings on all sides of the table system are clear and make sure the power cord moves freely as desk moves up and down.

If the tabletop encounters resistance while moving, it will rebound.



Recommended Tools

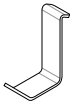
- 6 mm Hex Key



6 mm Hex Key

Parts

- Top/Frame Assembly (1)
- Leg/Column Assembly (2)
- Hook (1)
- Self-adhesive Adjustable Cord Management
- Mounting Tape (1)



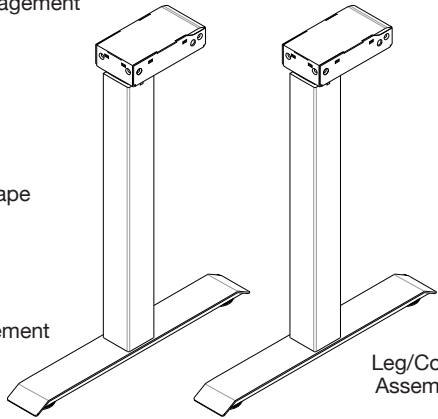
Hook



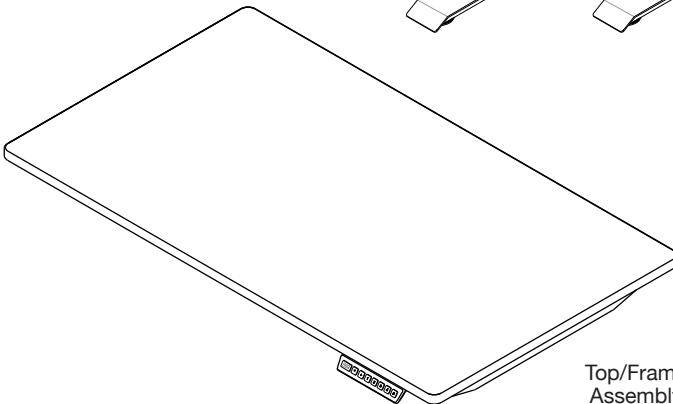
Mounting Tape



Self-adhesive Adjustable Cord Management

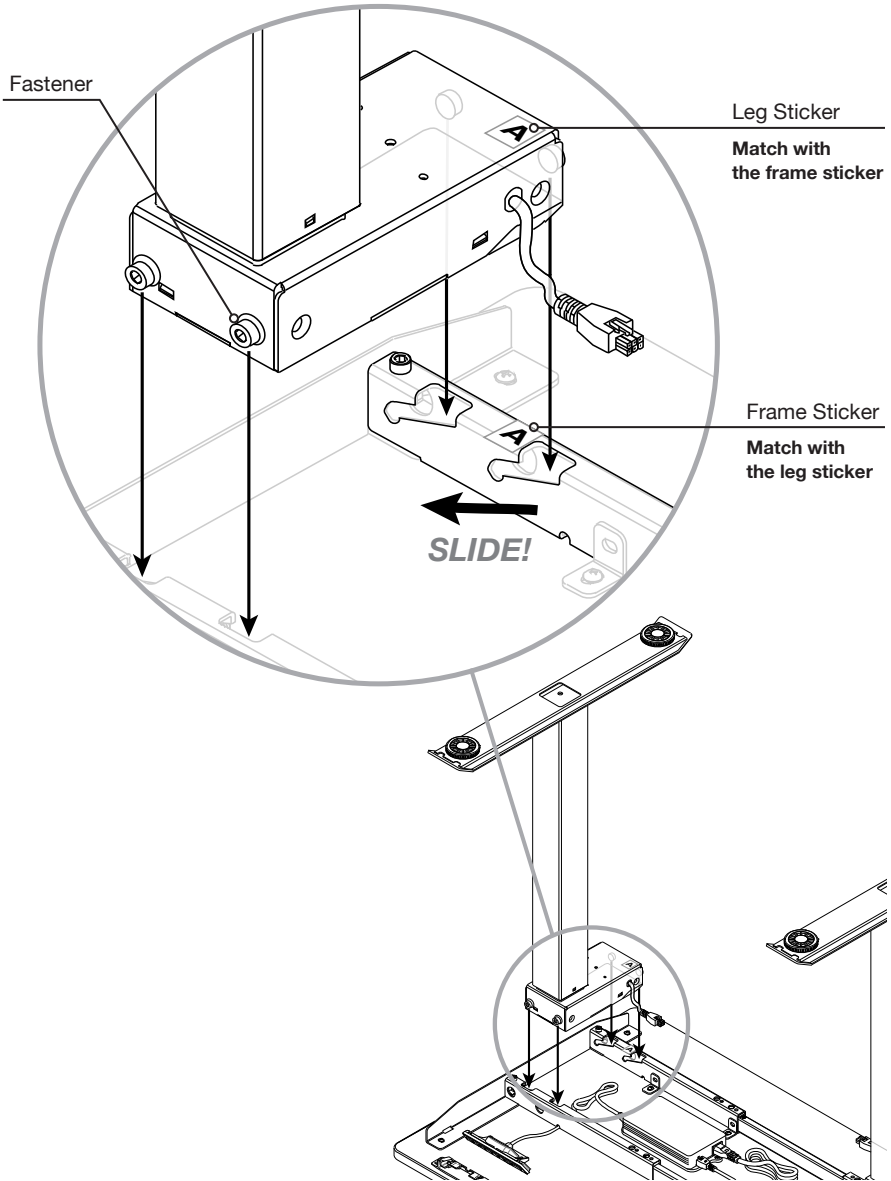


Leg/Column Assemblies



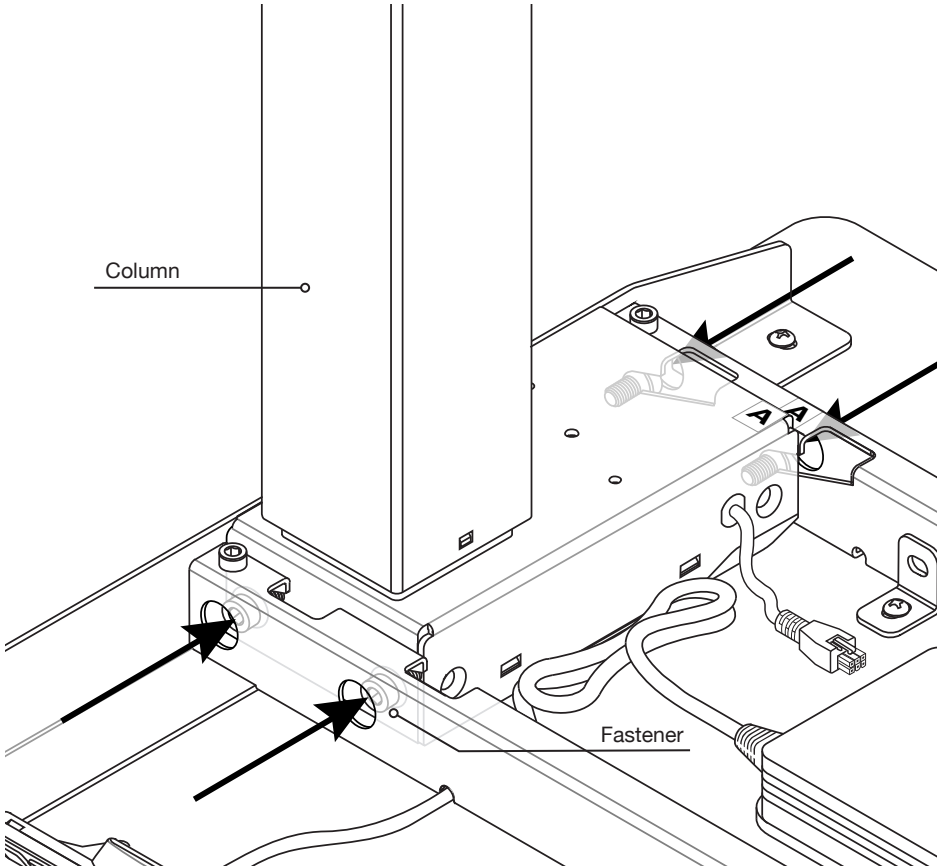
Top/Frame Assembly

Step 1: Insert the legs into the frame, sliding the fasteners into the notches on the crossbeam.



Step 2: Tighten the leg's four fasteners with the 6 mm hex key.

This step is repeated on the other column.

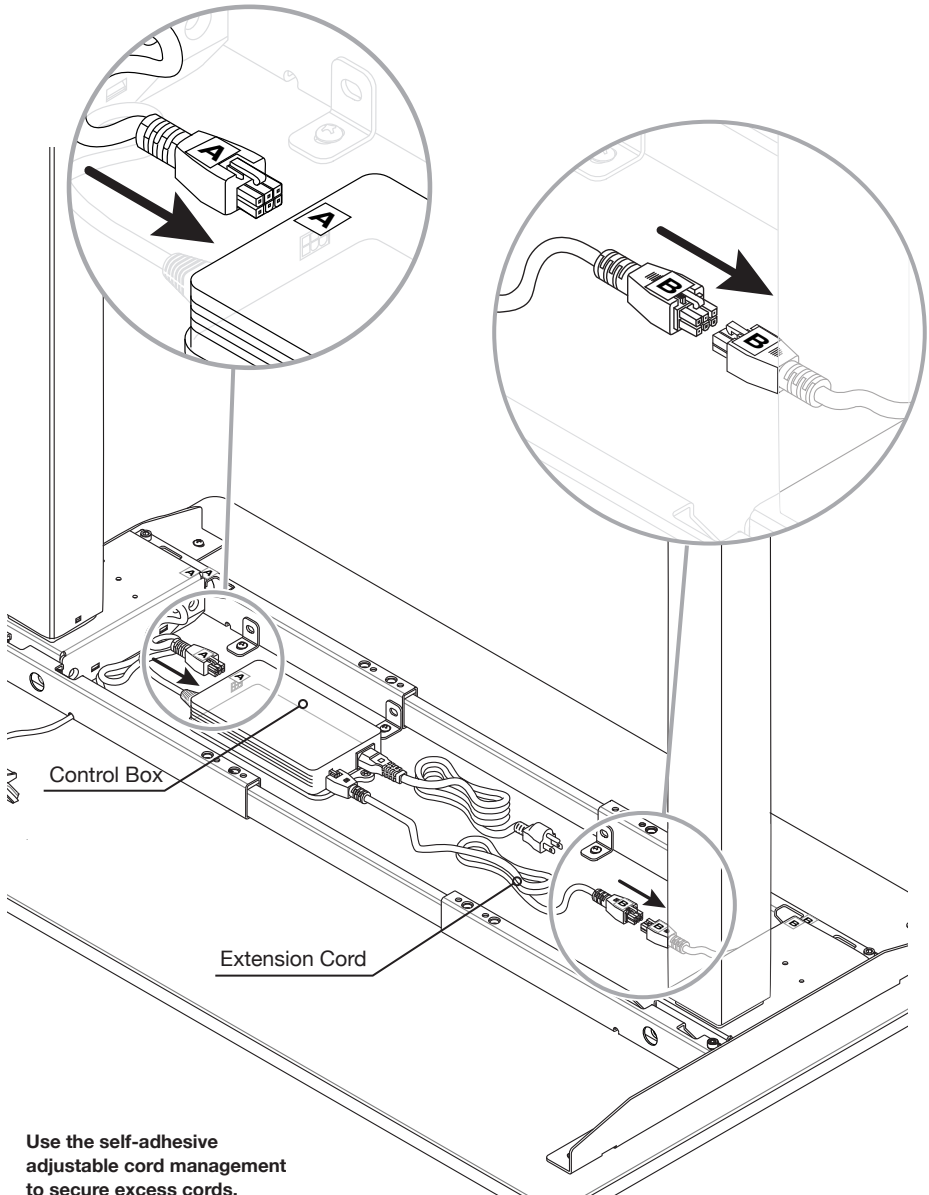


TOOLS



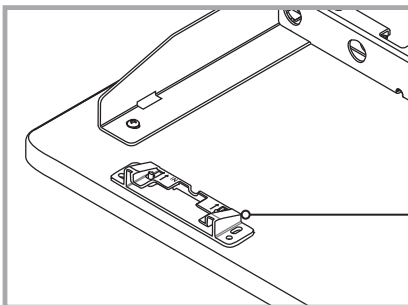
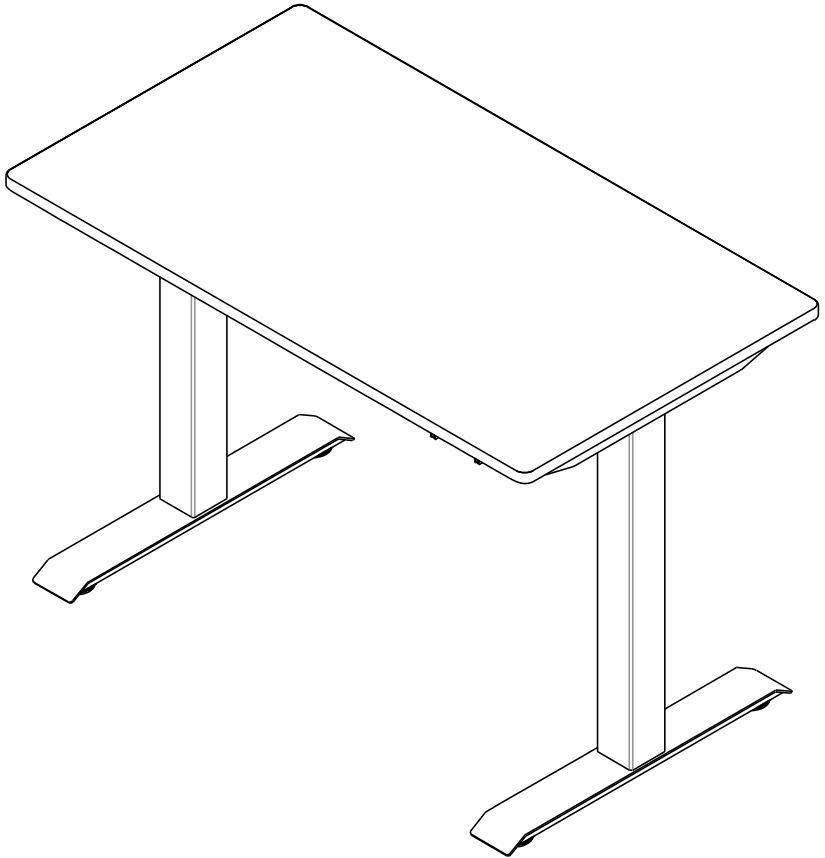
6 mm Hex Key

Step 3: Plug in the legs to the control box. Use the extension cord to span the longer distance from leg B.



Use the self-adhesive adjustable cord management to secure excess cords.

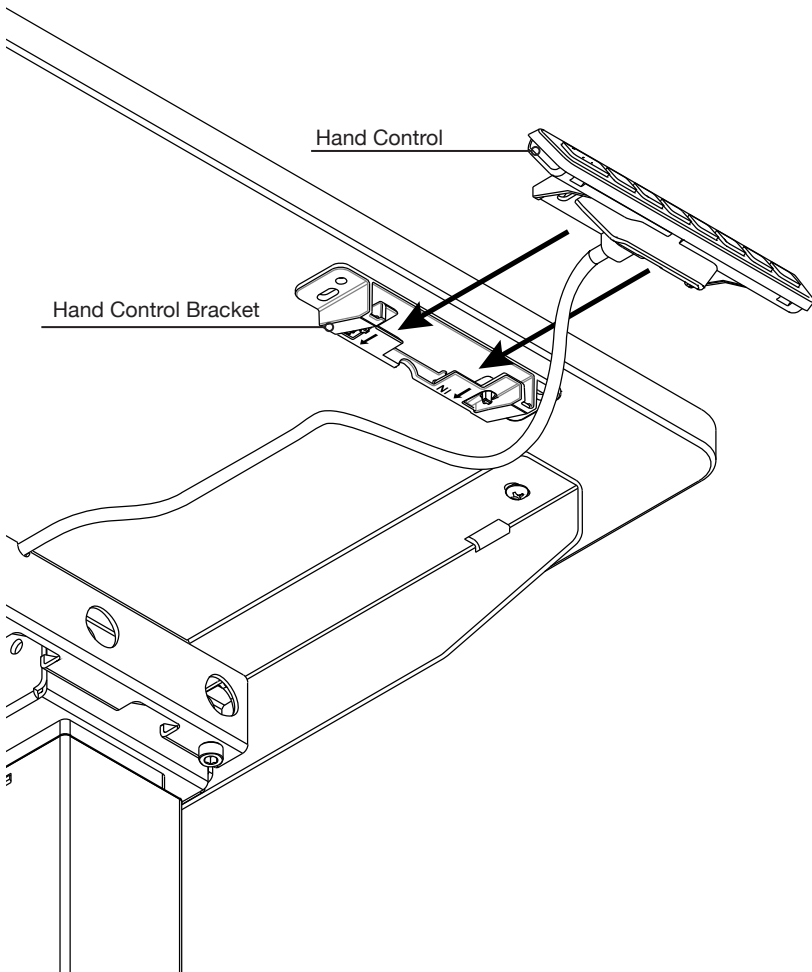
Step 4: With the help of another person, turn the table upright.



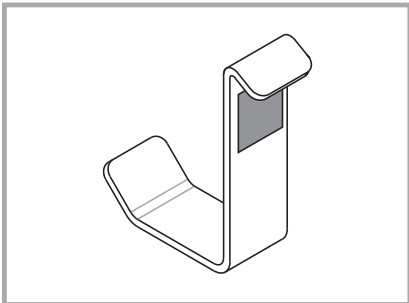
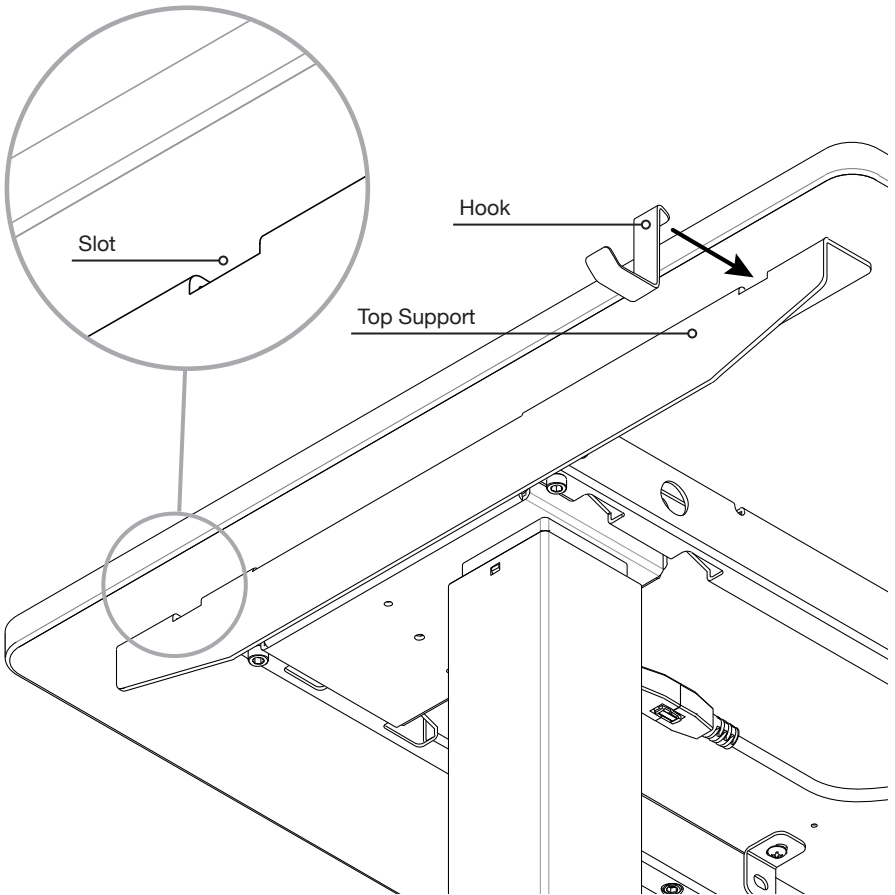
Caution:
Do not rock the table upright. This will damage the and control bracket that is pre-installed under the tabletop.

Hand Control Bracket

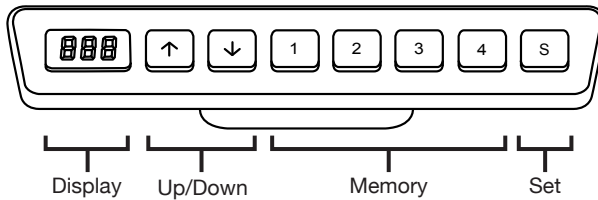
Step 5: Insert the hand control into the hand control bracket.



Step 6: Insert the hook into one of the slots in the top supports.



For a more secure installation:
apply the provided double-sided
mounting tape to the back of the hook
before inserting it into the slot.



Initialization

Before the first use, or when the display screen shows "RST".

1. Press the **down** button until the table reaches its lowest position.
2. The table is initialized after it makes a *di* sound and the frame rebounds.

Reset to Factory Settings

To reset to factory settings, press both **up** and **down** arrows at the same time and hold for ten seconds until you hear a *beep*.

Temporary (Safety) Lock

TO LOCK: press the **up** arrow and the **S** key for five seconds until you see "LOC" on the display.

TO UNLOCK: Press the **down** arrow and the **S** key for five seconds until you see "LOC" on the display.

Anti-Collision

Your height-adjustable desk is also programmed with Anti-Collision technology. When the desk comes into contact with an object it will automatically stop and retract.

Move Desk Up and Down

Raise the desk by pressing the **up** arrow and lower the desk by pressing the **down** arrow.

Set a Memory Position

The memory buttons can store up to four preset height positions. To program a button:

1. Press the **S** button and "S-" will begin flashing.
2. Then press any of the buttons numbered one through four to store a preset height.
3. After the height has been set, press one of the buttons to move to the preset height.

Set the Minimum Height

1. Move the desk to any height below 37 inches
2. Press the **up** and **down** arrows at the same time, and hold for five seconds until you hear a *beep*.

Set the Maximum Height

1. Move the desk to any height above 38 inches
2. Press the **up** and **down** arrows at the same time, and hold for five seconds until you hear a *beep*.

Error Code	Description	Solution
E1	Power Fault	Replace motor controller
E2	A-Synchronist Height Over 1 cm	Initialize the table
E4	Handset Error	Unplug and replug the handset in
E6	Power Fault	Replace motor controller
E7	Power Fault	Replace motor controller
E11	Motor Connection Fault	Check connecting cables
E12	Faulty Hand Control	Replace the hand control
E14	Faulty Motor	Replace the motor
E15	Faulty Motor	Replace the motor
E16	Faulty Motor	Replace the motor
E17	Faulty Motor	Replace the motor
E18	Overload	Reduce the load on the table
E21	Motor Connection Fault	Check connecting cables
E22	Faulty Hand Control	Replace the hand control
E24	Faulty Motor	Replace the motor
E25	Faulty Motor	Replace the motor
E26	Faulty Motor	Replace the motor
E27	Faulty Motor	Replace the motor
E28	Overload	Reduce the load on the table
HOT	High Usage Exceeding Duty Cycle	Automatic recovery after 20 mins