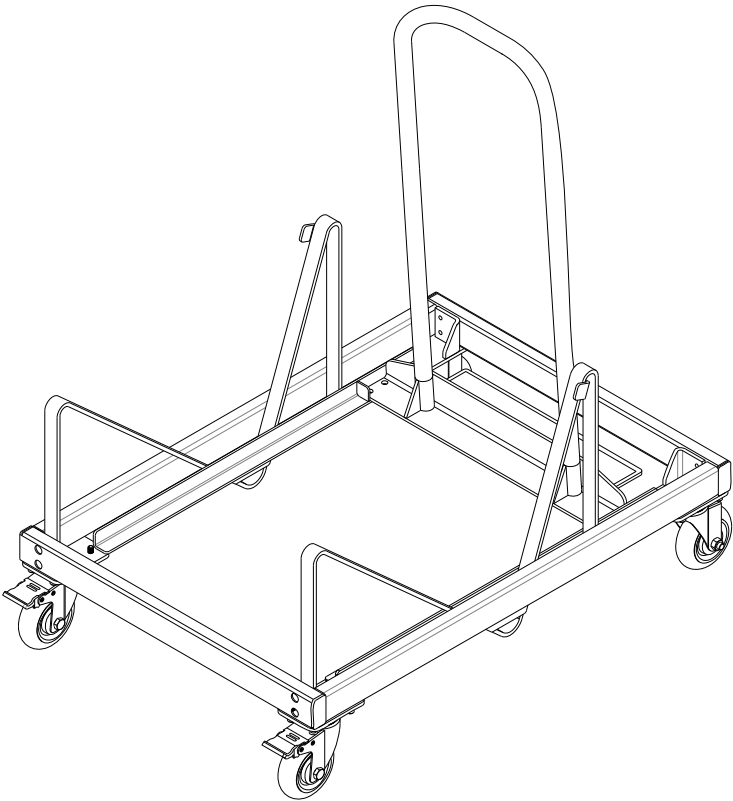


# Sprout

## STACKING CART ASSEMBLY INSTRUCTIONS

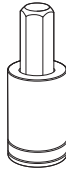


Read the entire instruction manual before you start installation and assembly. If you have any questions regarding any of the instructions or warnings, please contact your local distributor for assistance.

To report any issues with this product, contact our customer experience team at: (888) 274-8664 or [sitonit@exemplis.com](mailto:sitonit@exemplis.com).

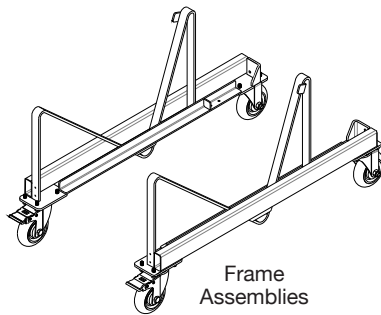
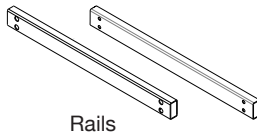
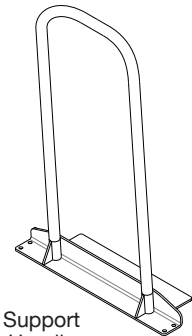
### Recommended Tools

- 1/4" Hex Socket

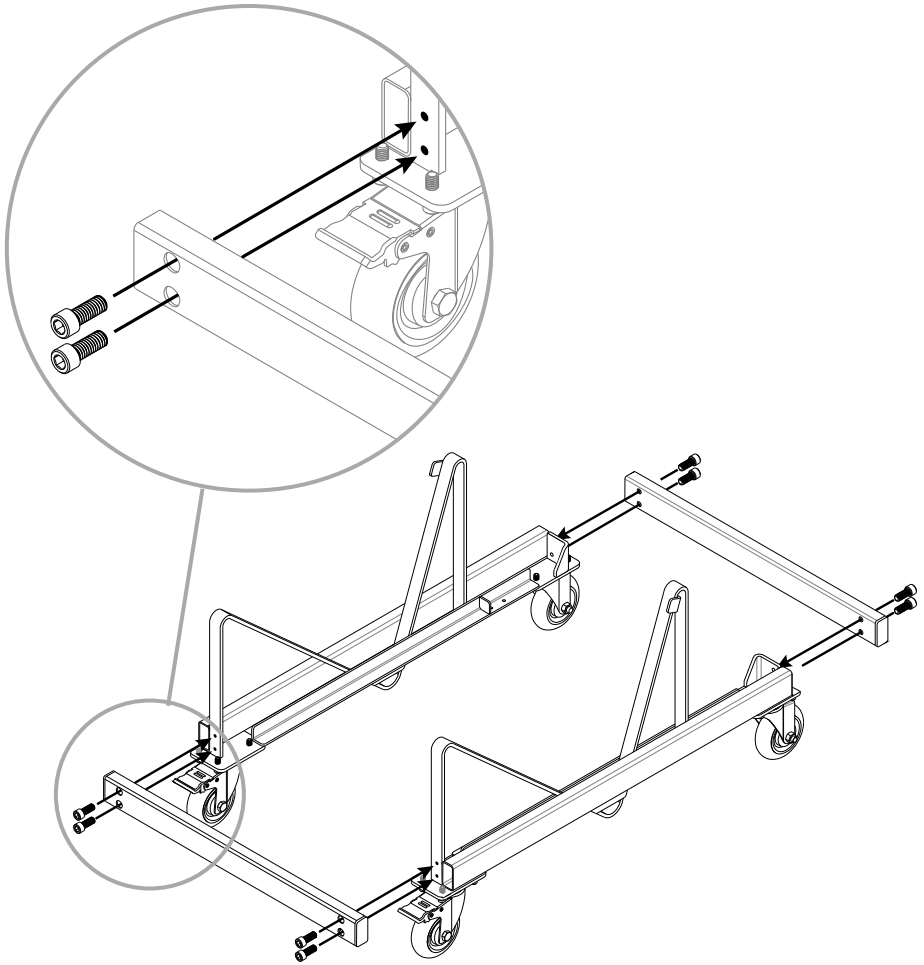


### Parts

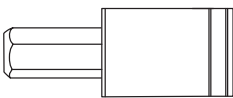
- Frame Assembly (2)
- Rail (2)
- Support Handle (1)
- 5/16" x 3/4" Screw (12)



**Step 1:** Attach the rails to the frame assemblies.

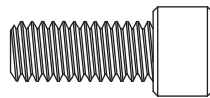


### TOOLS



1/4" Hex Socket

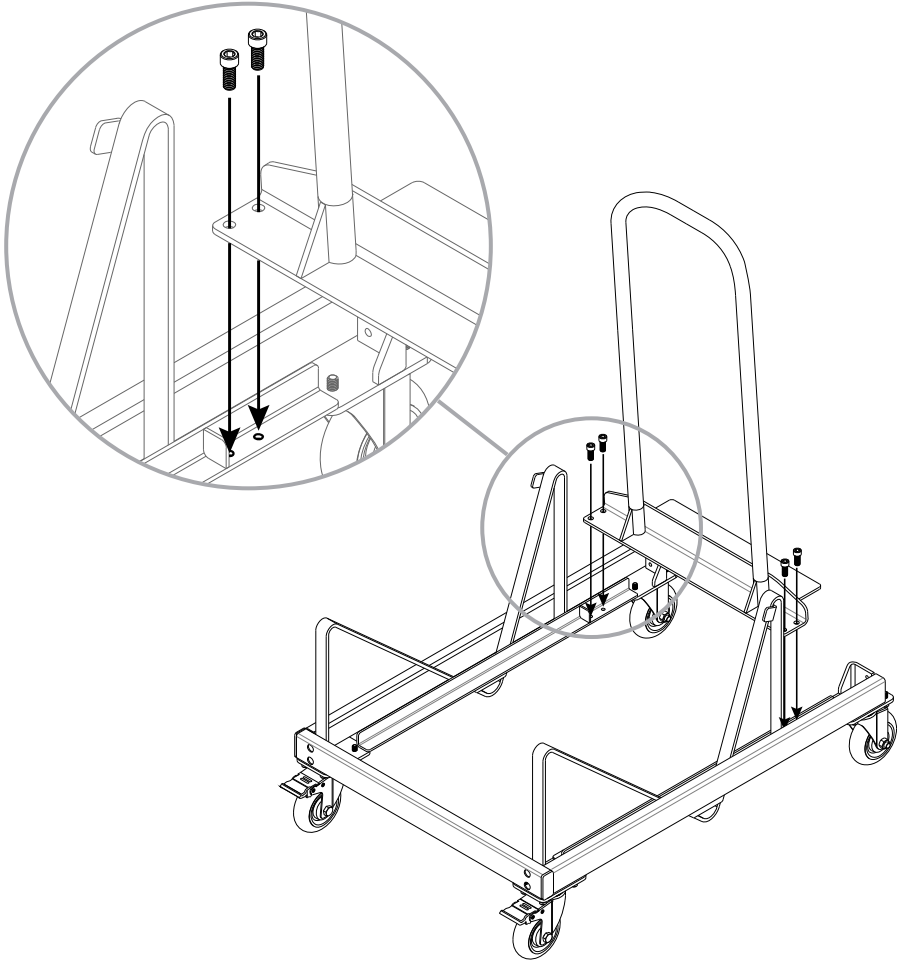
### 1:1 HARDWARE



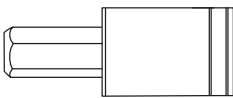
5/16" x 3/4" Screw

**Step 2:** Attach the support handle to the frame assemblies.

---

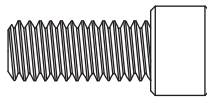


### TOOLS



1/4" Hex Socket

### 1:1 HARDWARE



5/16" x 3/4" Screw