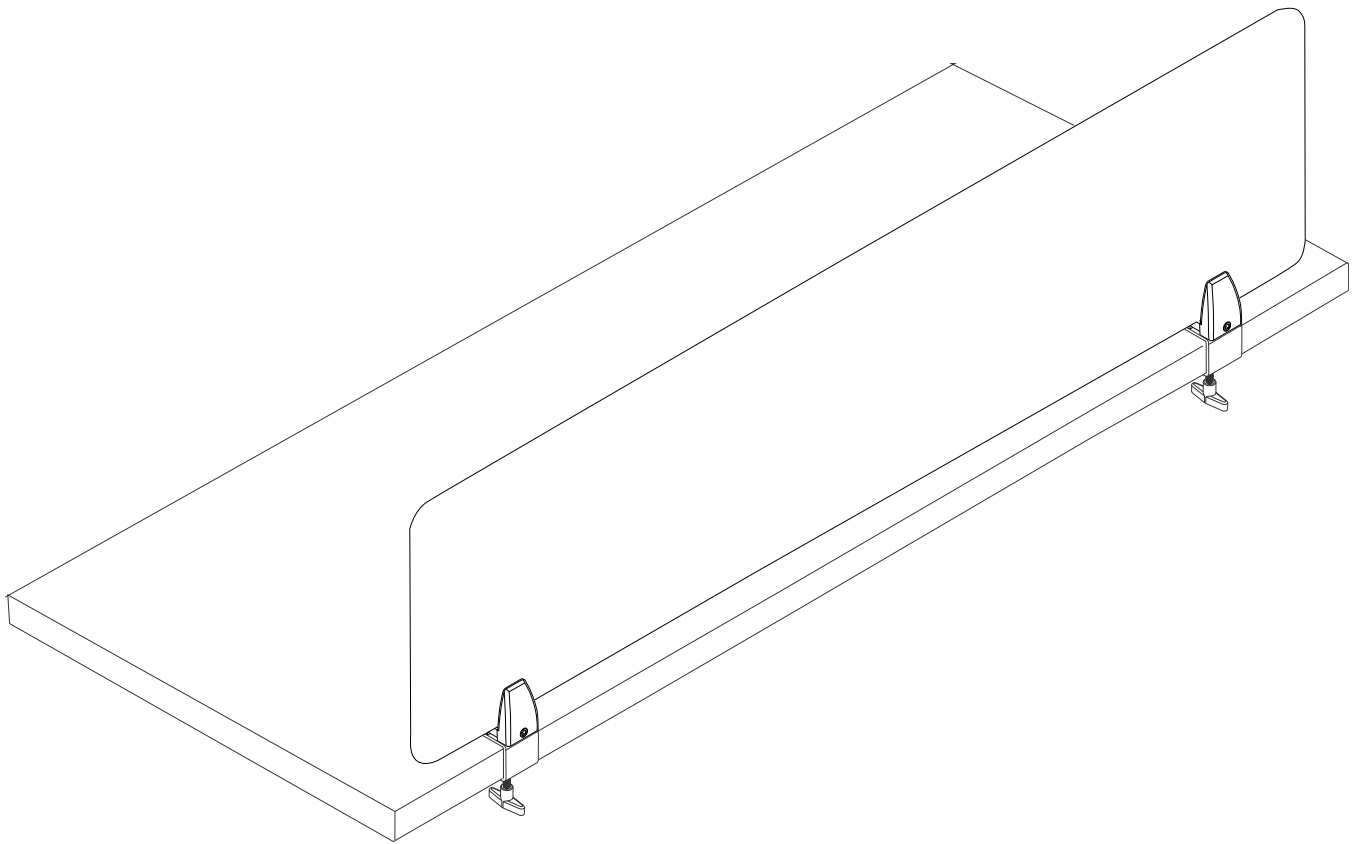


EDGE MOUNT

SCREEN ASSEMBLY INSTRUCTIONS

Now more than ever, our workspaces should be safe—free from distractions, contagions and anything that gets in the way of productivity. This collection of clear and frosted acrylic, fabric and whiteboard screens stands ready to provide the privacy, protection and peace of mind you need in a landscape where the way we interact changes every day.



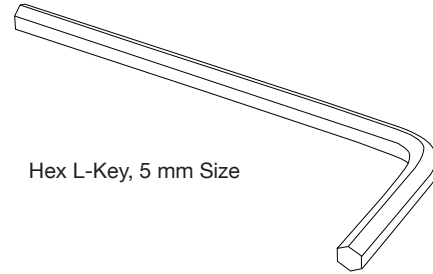
EDGE MOUNT SCREEN ASSEMBLY INSTRUCTIONS

COMPONENT LIST

Per Mount:

- Edge Mount (1)
- M6 × 20 mm Screw (1)
- M6 × 35 mm Screw (1)
- M6 × 45 mm Screw (1)
(The M6 × 45 mm screw is located in a separate kit with fabric screens.)

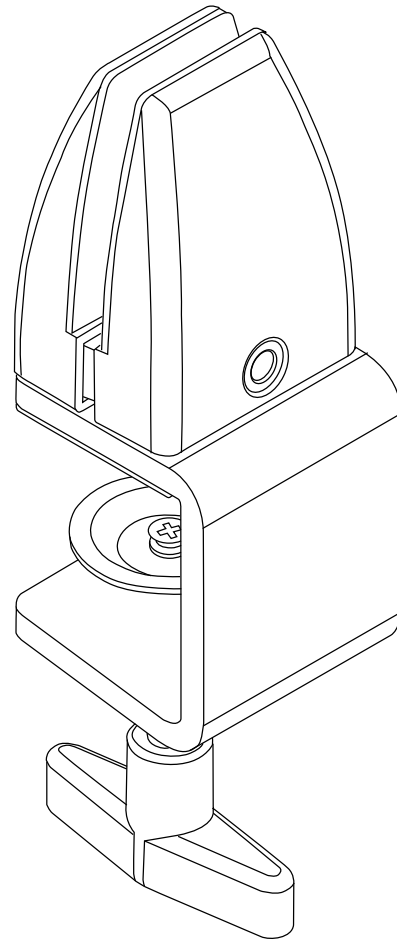
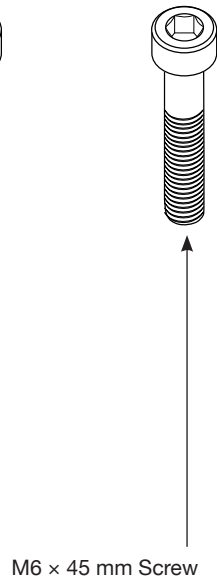
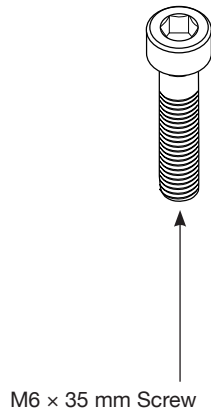
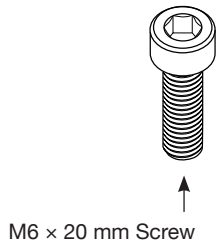
REQUIRED TOOLS



Hex L-Key, 5 mm Size

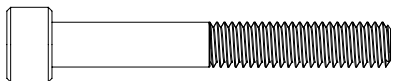
COMPONENTS

EDGE MOUNT PARTS

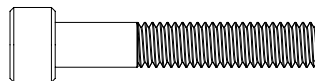


Edge Mount

1:1 SCALE



M6 × 45 mm Screw



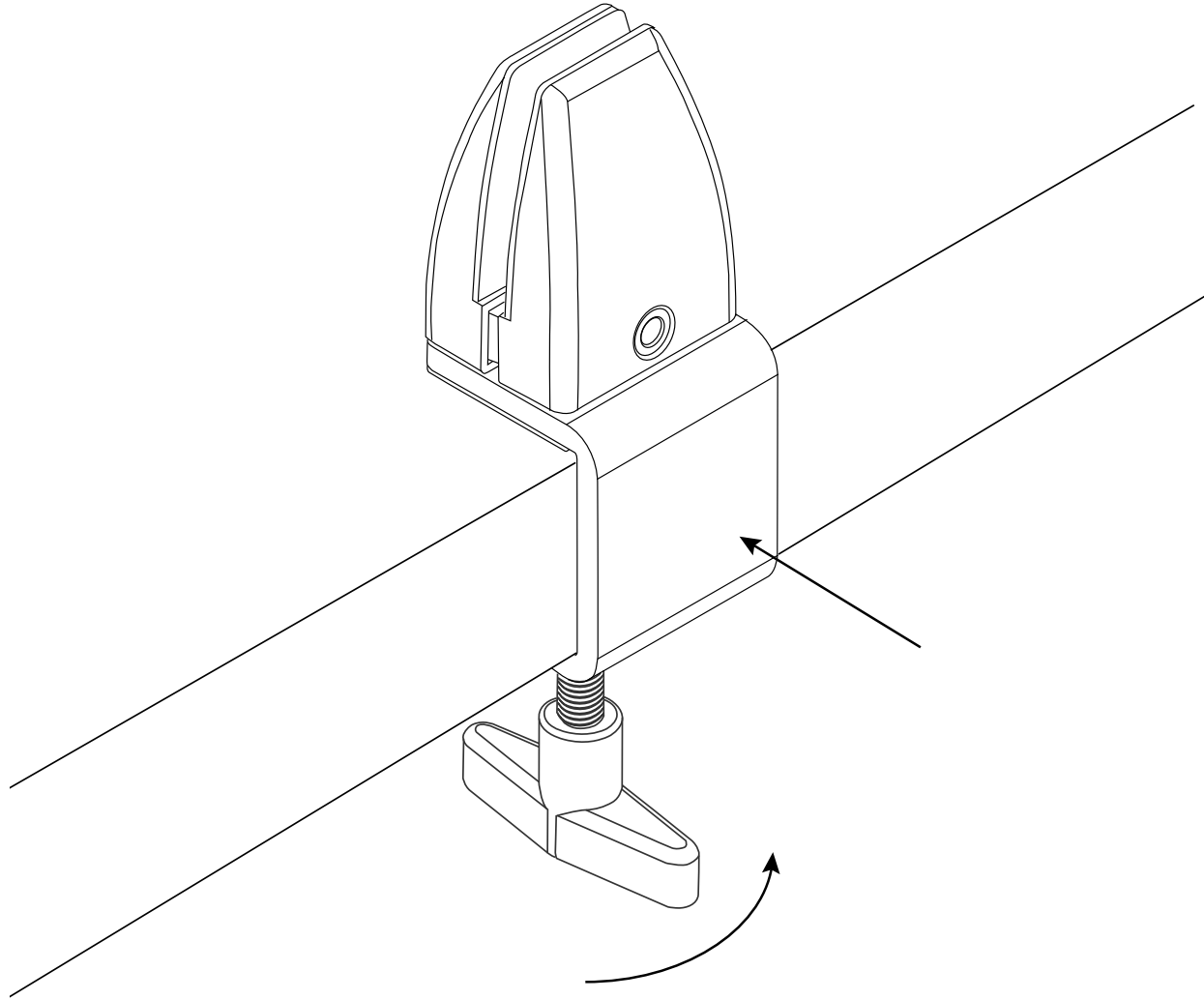
M6 × 35 mm Screw



M6 × 20 mm Screw

EDGE MOUNT SCREEN ASSEMBLY INSTRUCTIONS

- 1** **Parts and instructions are per mount.** There are two mounts included with 17"-54" screens or three mounts included with 60"-72" screens.



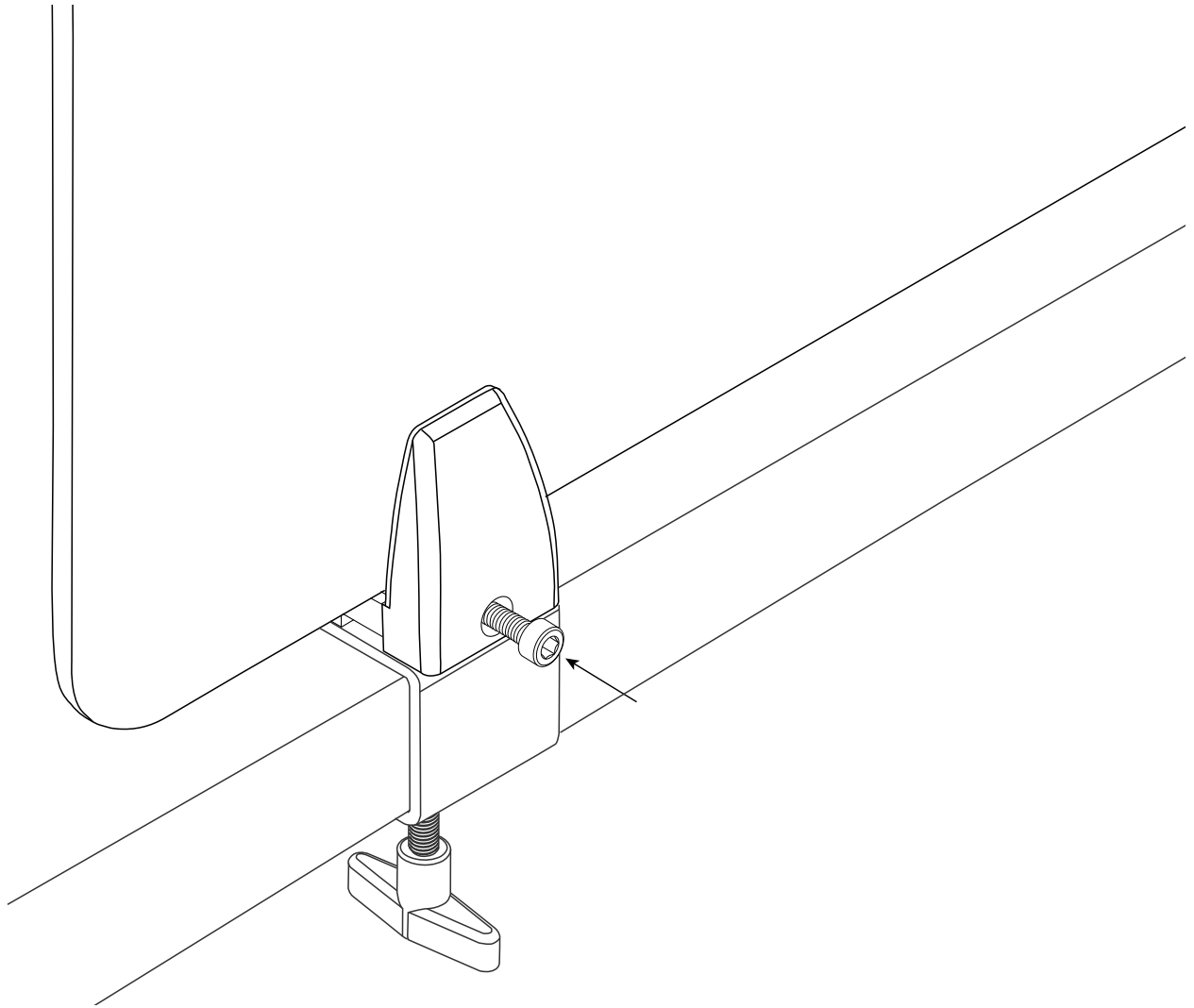
STEPS

1. Use the knob to loosen the edge mount's C-bracket, slide the mount onto the edge of the desk and retighten to attach the mount securely.

EDGE MOUNT SCREEN ASSEMBLY INSTRUCTIONS

2

Parts and instructions are per mount. There are two mounts included with 17"–54" screens or three mounts included with 60"–72" screens.



STEPS

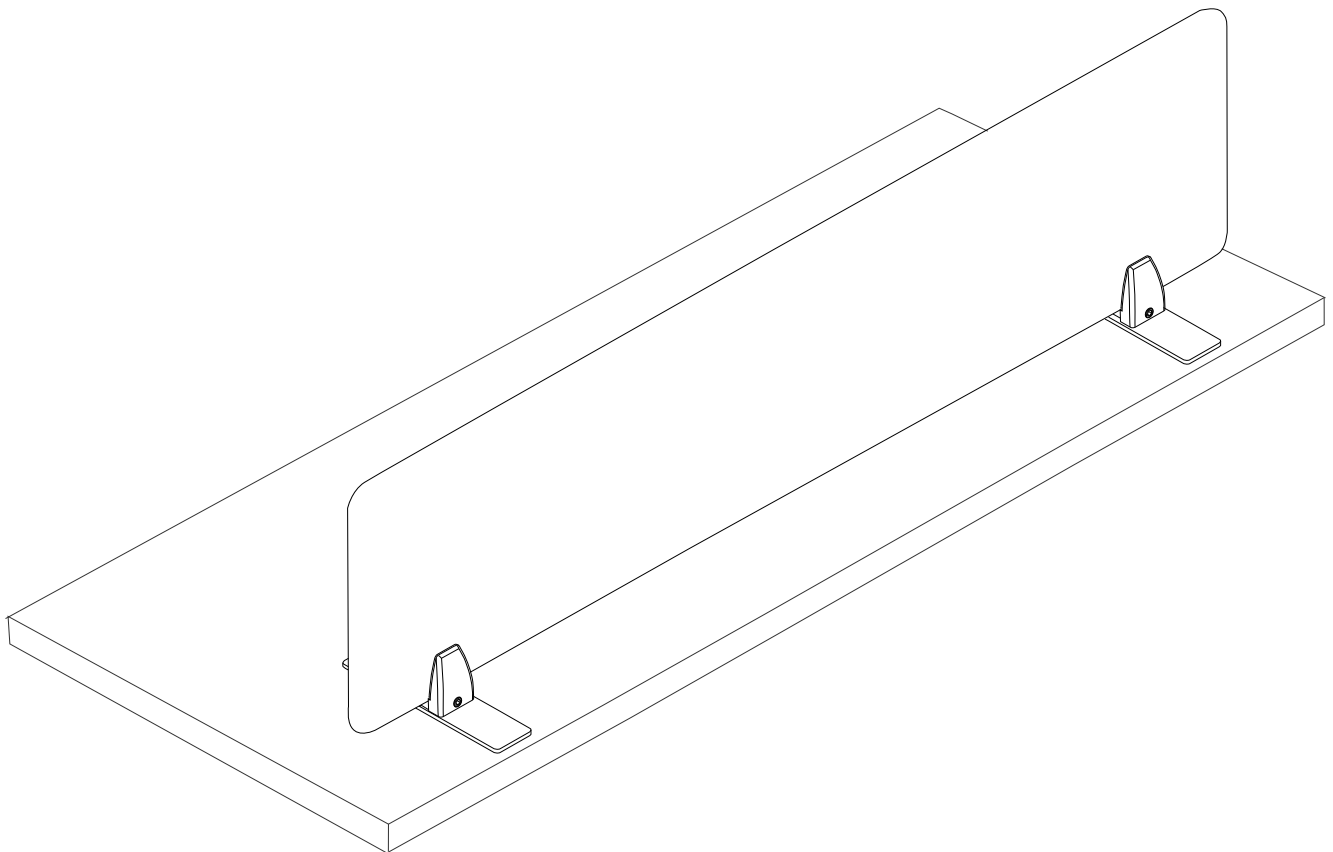
2. Insert screen into edge mount. Tighten the edge mount using the M6 screw that is appropriate for the screen material and a 5 mm hex L-key. Do not close. Make sure to leave a gap for the screen.

Use a M6 × 45mm screw for fabric screens, a M6 × 20 mm screw for acrylic screens or a M6 × 35 mm screw for whiteboard screens. Note: M6 × 45 mm screws come in a separate kit with fabric screens.

FREESTANDING MOUNT

SCREEN ASSEMBLY INSTRUCTIONS

Now more than ever, our workspaces should be safe—free from distractions, contagions and anything that gets in the way of productivity. This collection of clear and frosted acrylic, fabric and whiteboard screens stands ready to provide the privacy, protection and peace of mind you need in a landscape where the way we interact changes every day.



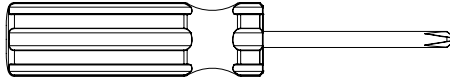
FREESTANDING MOUNT SCREEN ASSEMBLY INSTRUCTIONS

COMPONENT LIST

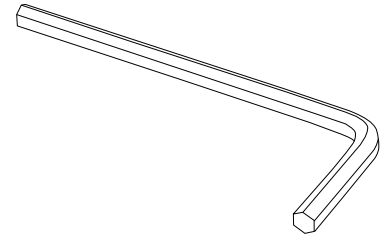
Per Mount:

- U-Bracket (2 Halves)
- Gasket (2)
- Rectangular Base (1)
- M4 × 6 mm Screw (2)
- M6 × 20 mm Screw (1)
- M6 × 35 mm Screw (1)
- M6 × 45 mm Screw (1)
(The M6 × 45 mm screws are located in a separate kit with fabric screens.)

REQUIRED TOOLS



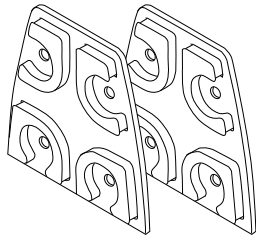
#2 Phillips Screwdriver



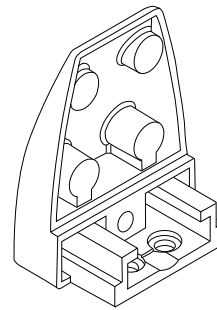
Hex L-Key, 5 mm Size

COMPONENTS

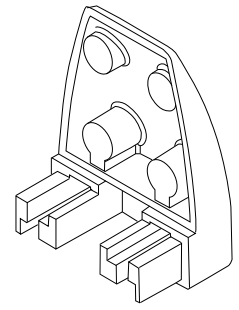
FREESTANDING MOUNT PARTS



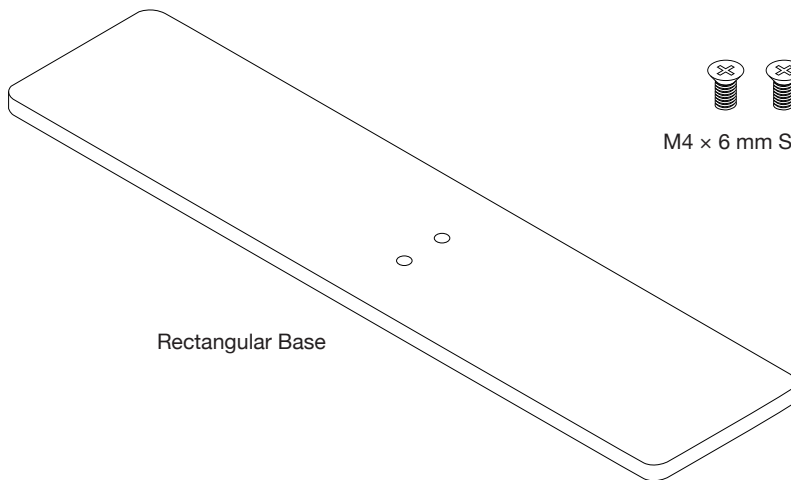
Gaskets



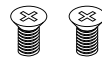
U-Bracket (Side A)



U-Bracket (Side B)



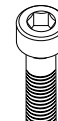
Rectangular Base



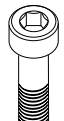
M4 × 6 mm Screws



M6 × 20 mm Screw

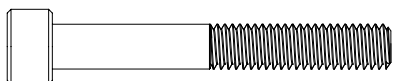


M6 × 35 mm Screw

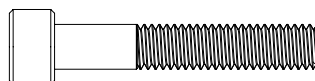


M6 × 45 mm Screw

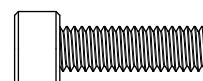
1:1 SCALE



M6 × 45 mm Screw



M6 × 35 mm Screw



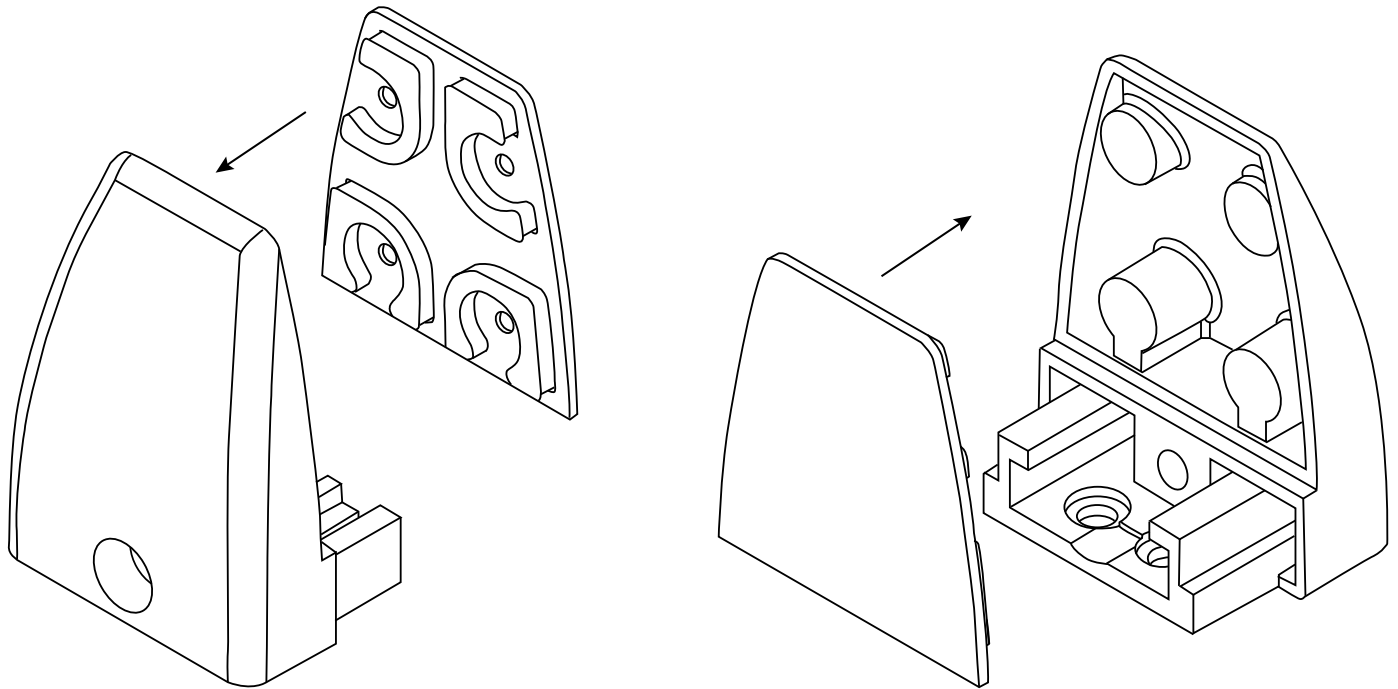
M6 × 20 mm Screw



M4 × 6 mm Screw

FREESTANDING MOUNT SCREEN ASSEMBLY INSTRUCTIONS

- 1** **Parts and instructions are per mount.** There are two mounts included with 17"-54" screens or three mounts included with 60"-72" screens.

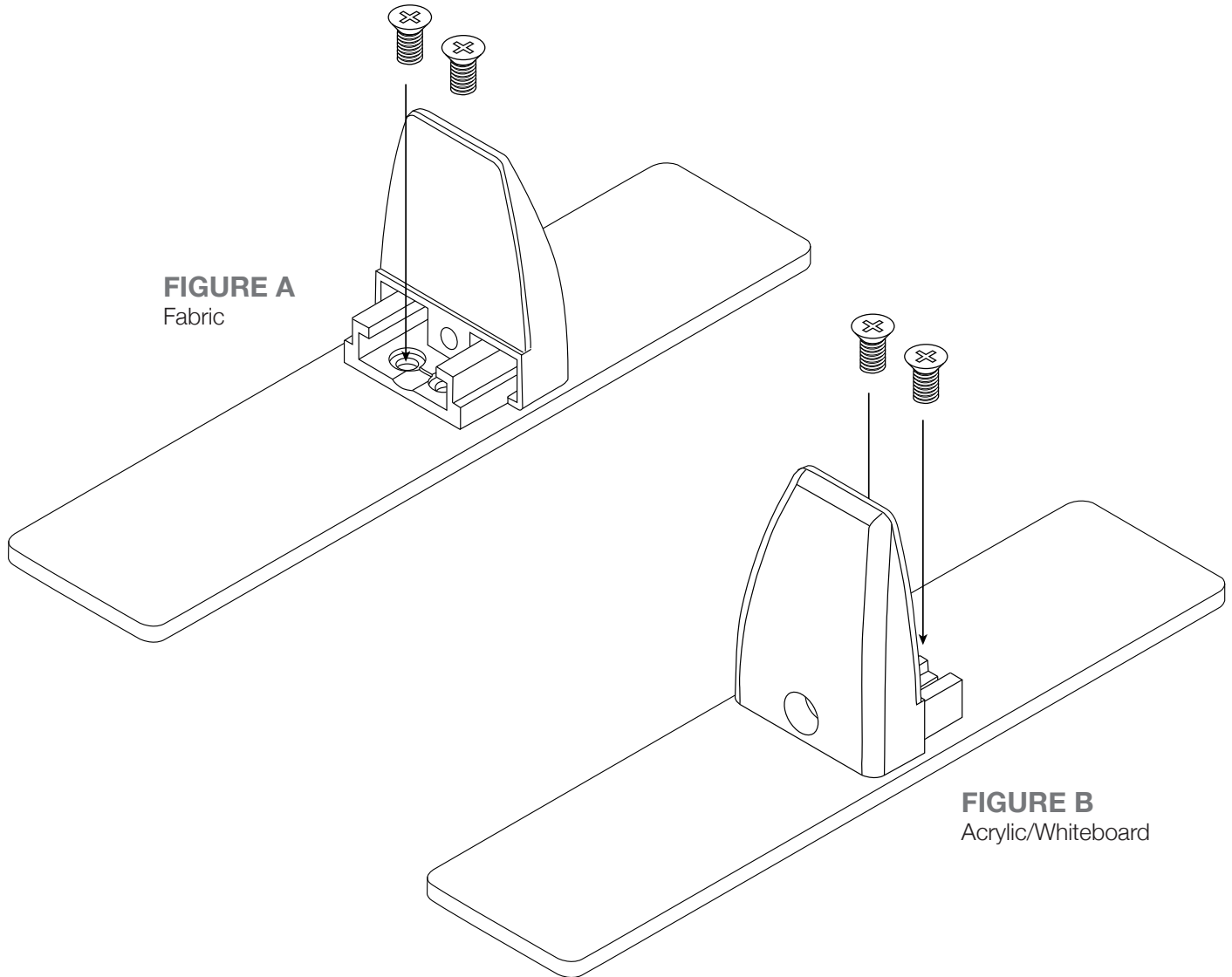


STEPS

1. Apply one gasket to each side of the U-bracket.

FREESTANDING MOUNT SCREEN ASSEMBLY INSTRUCTIONS

- 2** **Parts and instructions are per mount.** There are two mounts included with 17"-54" screens or three mounts included with 60"-72" screens.



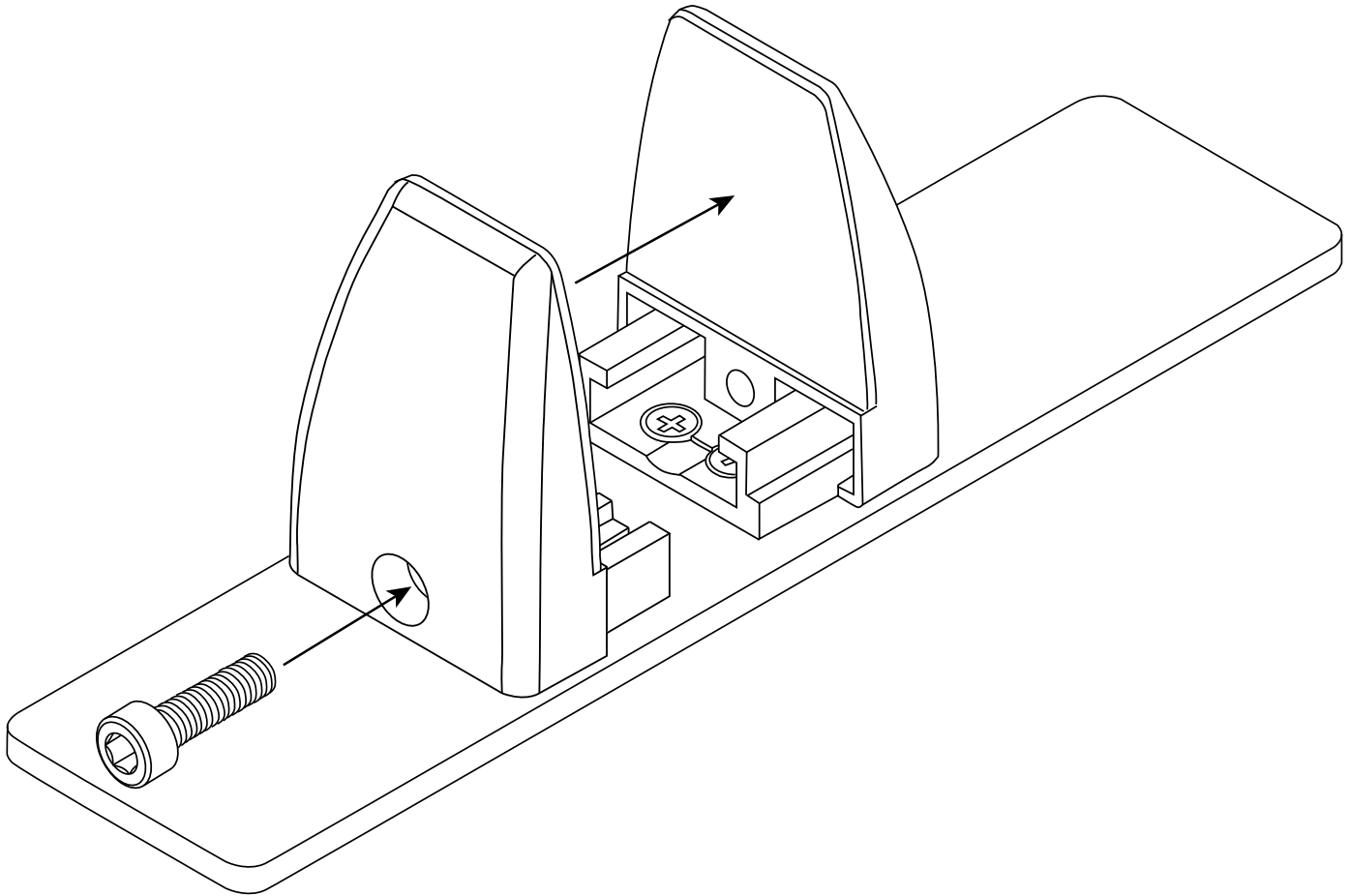
STEPS

2. One side of the U-bracket (side A) has screw holes. Attach the A side of the U-bracket to the rectangular base using two M4 × 6 mm screws and a #2 Phillips screwdriver.

Note: The base is drilled asymmetrically. For fabric screens, the fixed half of the U-bracket will face towards the long side (see figure A). For acrylic or white board screens, the fixed half of the U-bracket will face towards the shortside (see figure B).

FREESTANDING MOUNT SCREEN ASSEMBLY INSTRUCTIONS

- 3** **Parts and instructions are per mount.** There are two mounts included with 17"-54" screens or three mounts included with 60"-72" screens.



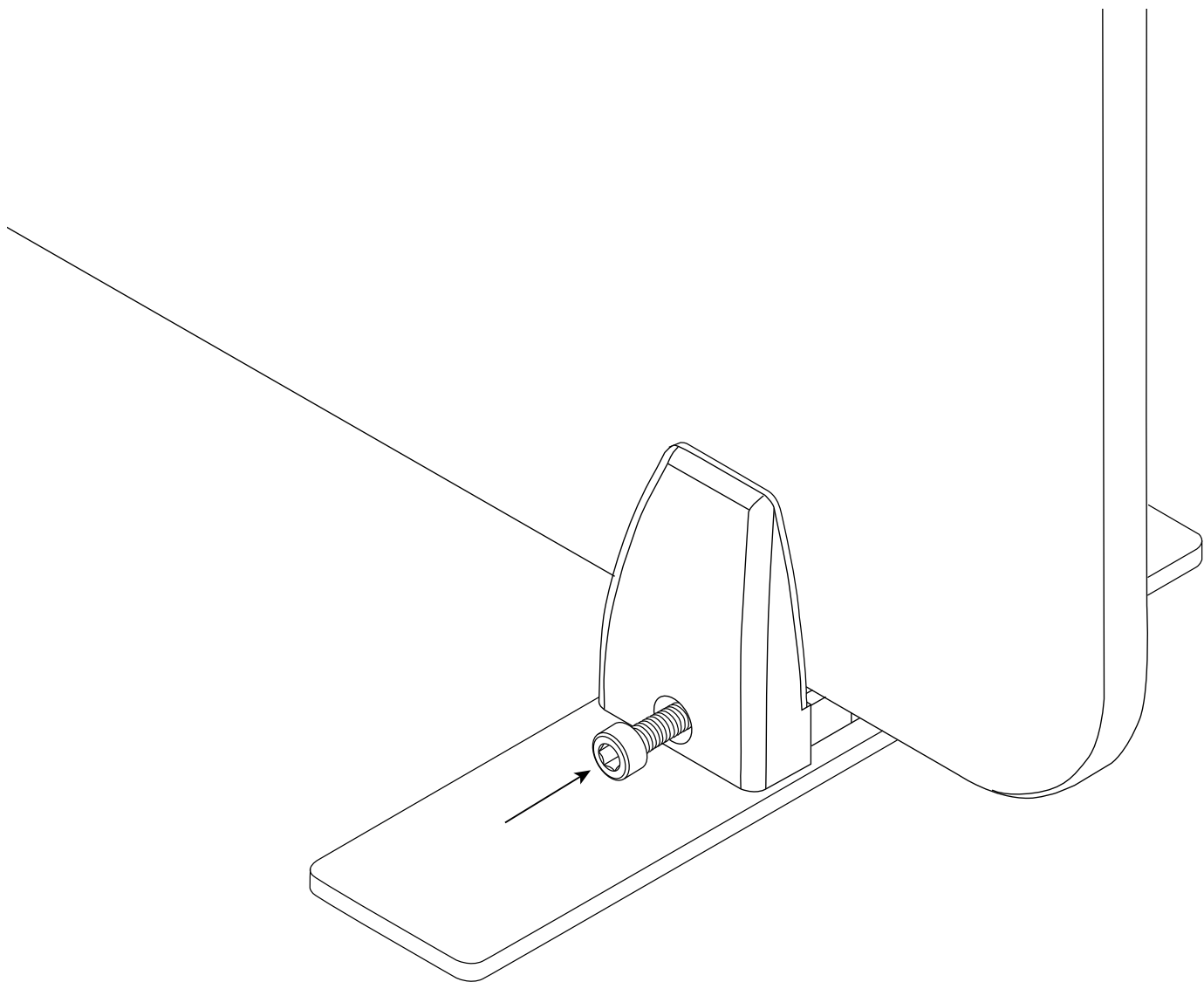
STEPS

3. Slide the B side of the U-bracket onto the A side. Attach the two sides together using the M6 screw that is appropriate for the screen material and a 5 mm hex L-key. Do not close. Make sure to leave a gap for the screen.

Use a M6 × 45mm screw for fabric screens, a M6 × 20 mm screw for acrylic screens or a M6 × 35 mm screw for whiteboard screens. Note: M6 × 45 mm screws come in a separate kit with fabric screens.

FREESTANDING MOUNT SCREEN ASSEMBLY INSTRUCTIONS

- 4 **Parts and instructions are per mount.** There are two mounts included with 17"–54" screens or three mounts included with 60"–72" screens.

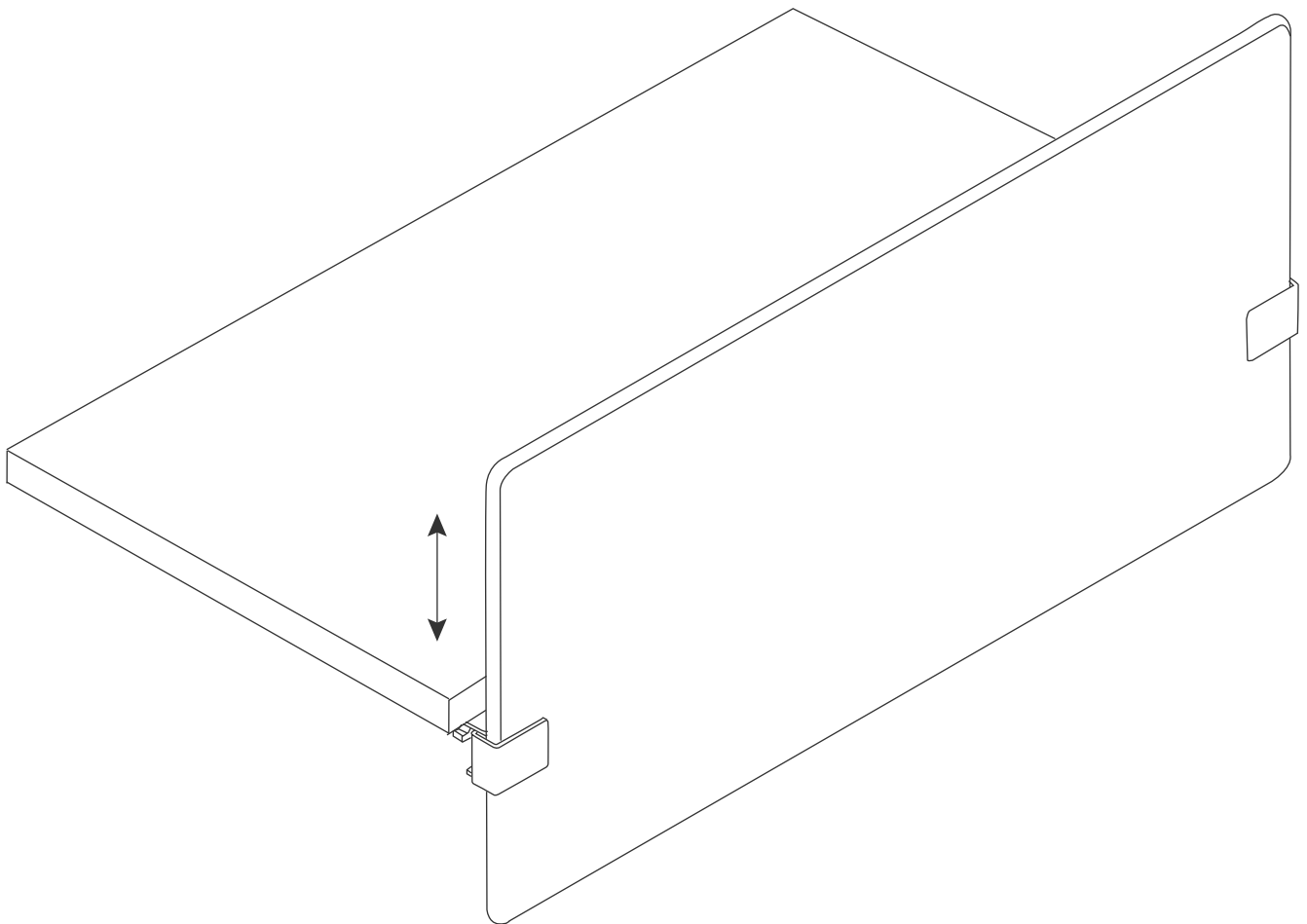


STEPS

4. Insert the screen into the assembled freestanding mounts and close the U-brackets by tightening the M6 screws with the 5 mm L-hex key. Continue until the screen is secure.

HEIGHT-ADJUSTABLE SCREEN ASSEMBLY INSTRUCTIONS

With height-adjustable screens, you can easily transform your workspace for face-to-face collaboration or added privacy. With some quick adjustments, you can lower the screen to collaborate or raise the screen for individual work.



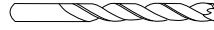
HEIGHT-ADJUSTABLE SCREEN ASSEMBLY INSTRUCTIONS

COMPONENT LIST

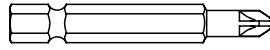
Per Mount:

- Bracket (2)
- Clamp (2)
- Knob (2)
- #10 x 3/4" Screw (10)
- #10 x 1" Screw (10)

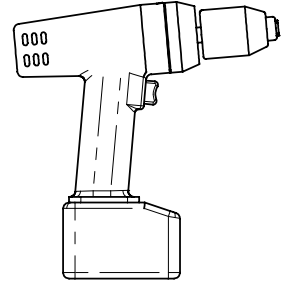
REQUIRED TOOLS



3/32" Drill Bit



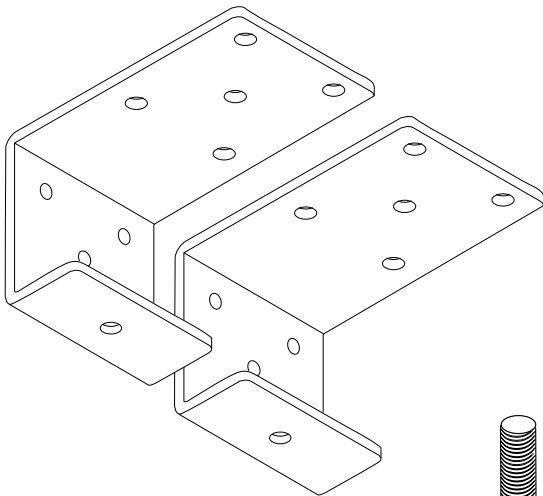
#2 Phillips
Screwdriver or Bit



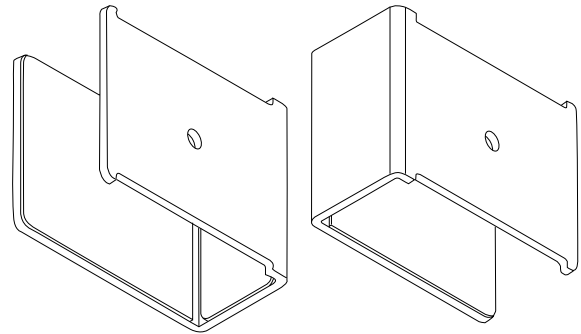
Cordless Drill/Driver
(Do not overtighten screws.)

COMPONENTS

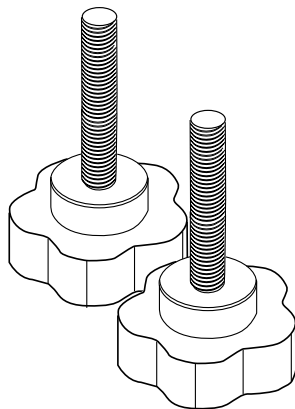
HEIGHT-ADJUSTABLE MOUNT PARTS



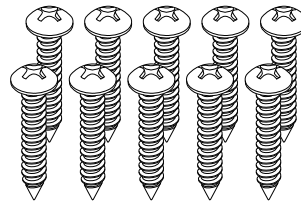
Brackets



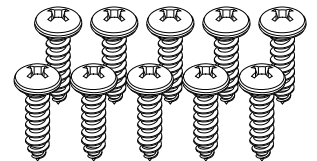
Clamps



Knobs

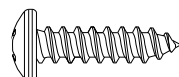


#10 x 1" Screws

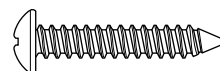


#10 x 3/4" Screws

1:1 SCALE



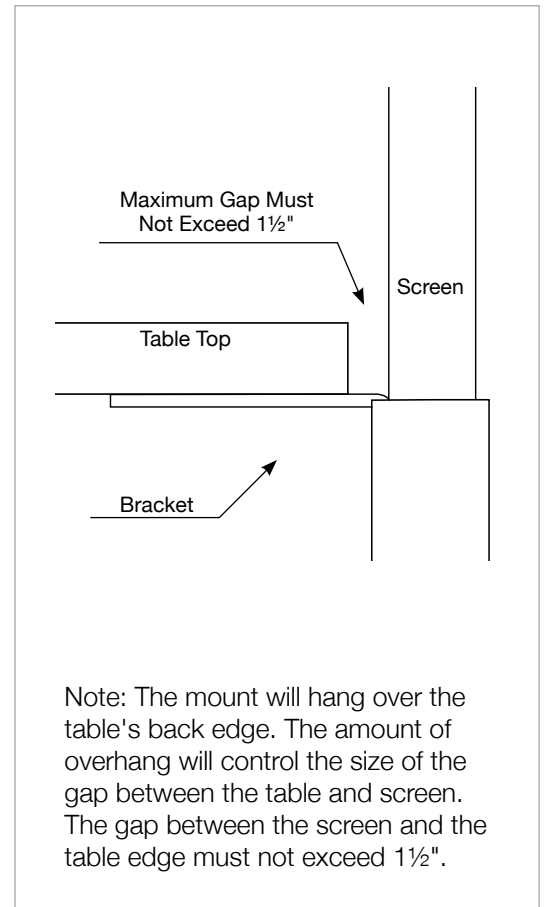
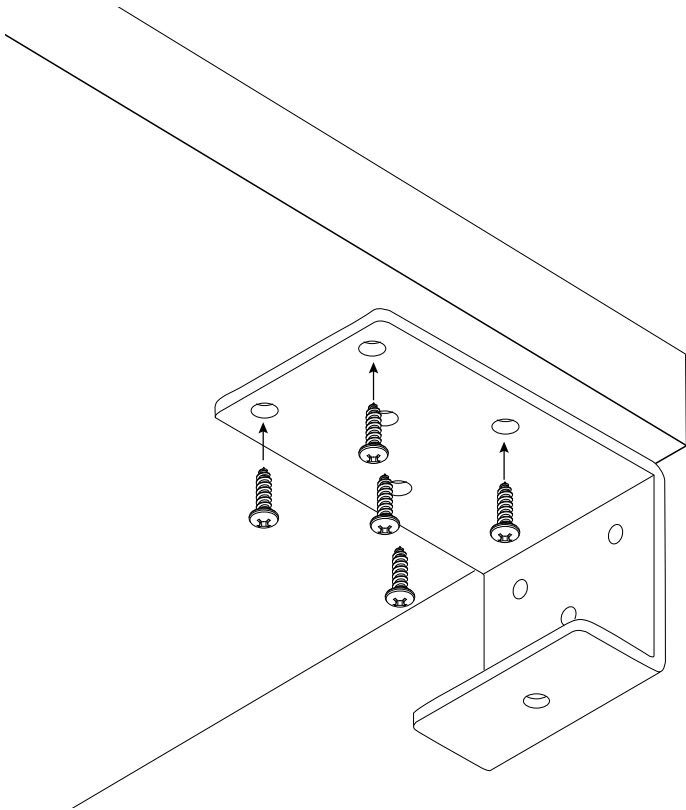
#10 x 3/4" Screw



#10 x 1" Screw

HEIGHT-ADJUSTABLE SCREEN ASSEMBLY INSTRUCTIONS

1



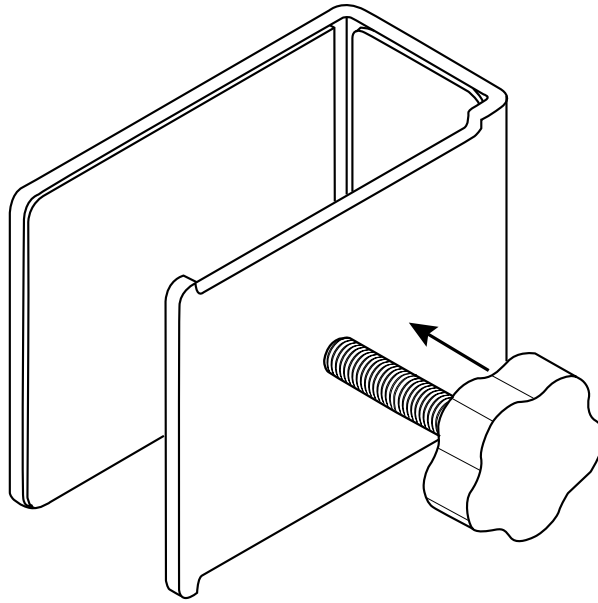
STEPS

1. When the table and screen are equal lengths, attach the brackets to the underside of the table top, $\frac{3}{8}$ " from each end of the table. When the screen is shorter than the table top length, attach the brackets in the desired locations. The distance between the outside edge of both brackets should be equal to the length of the divider minus $\frac{3}{4}$ ".

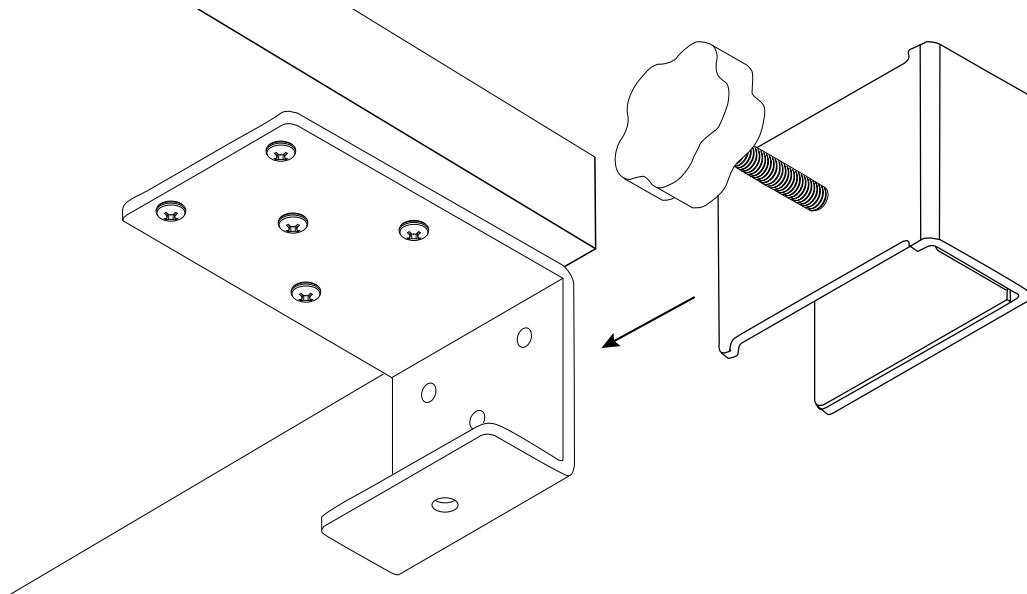
For best results, predrill $\frac{1}{2}$ " deep pilot holes using a $\frac{3}{32}$ " diameter drill bit. Then, using a cordless drill fitted with a #2 Phillips bit, attach the brackets to the underside of the table top with five screws per bracket. Use the #10 \times $\frac{3}{4}$ " screws for a 1" thick table top or the #10 \times 1" screws for table tops with a thickness of greater than 1".

HEIGHT-ADJUSTABLE SCREEN ASSEMBLY INSTRUCTIONS

2



3

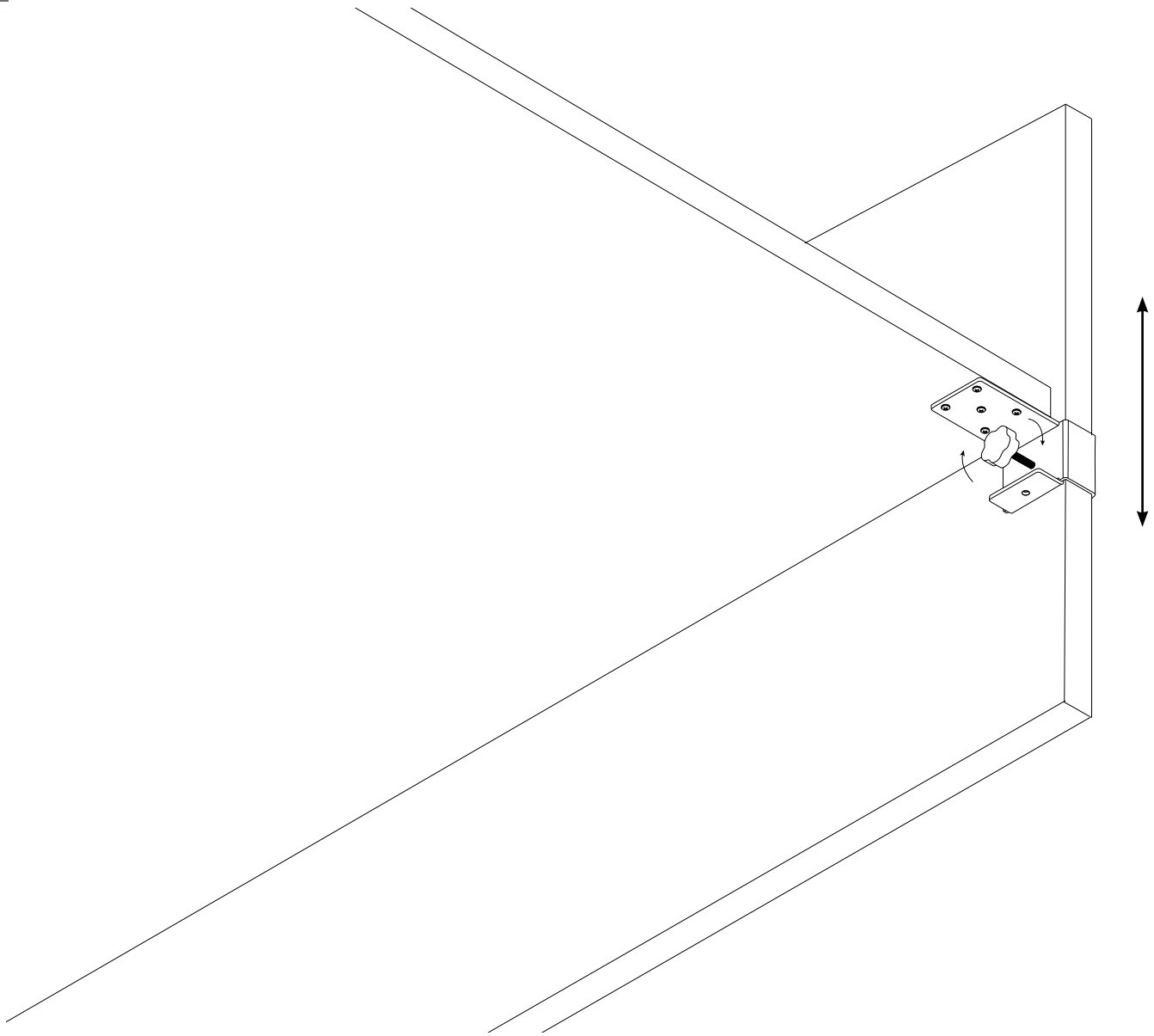


STEPS

2. Install the knob into the clamp, as shown.
3. Place clamp/knob assembly into the bracket with the open side facing the middle of the table surface.

HEIGHT-ADJUSTABLE SCREEN ASSEMBLY INSTRUCTIONS

4



STEPS

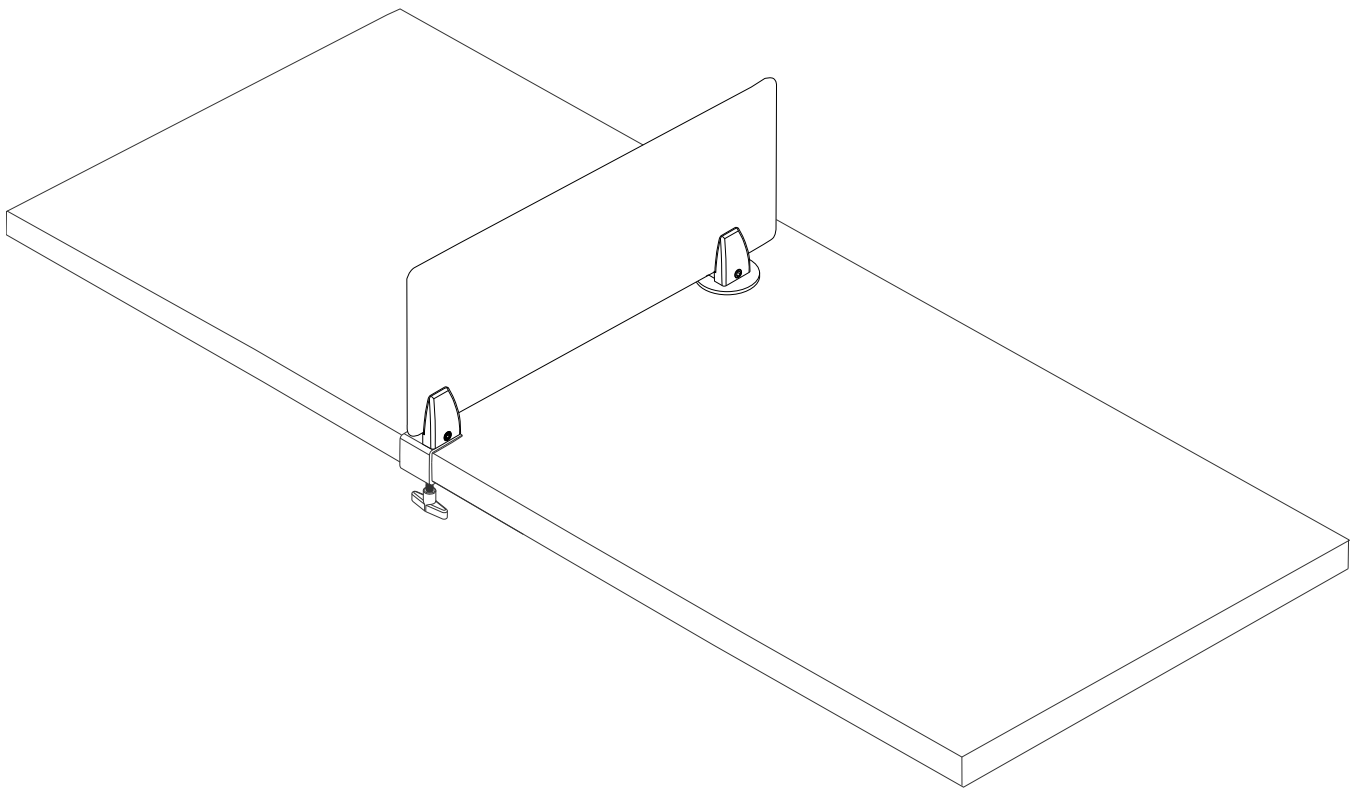
4. Insert the screen into the assembled mounts. When the screen is located in the desired position and is at the desired height, tighten the knobs to hold the screen firmly in place.

To change the height of the screen, loosen the knobs, reposition the screen, and retighten.

MIDDLE MOUNT

SCREEN ASSEMBLY INSTRUCTIONS

Now more than ever, our workspaces should be safe—free from distractions, contagions and anything that gets in the way of productivity. This collection of clear and frosted acrylic, fabric and whiteboard screens stands ready to provide the privacy, protection and peace of mind you need in a landscape where the way we interact changes every day.

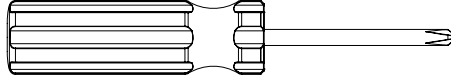


MIDDLE MOUNT SCREEN ASSEMBLY INSTRUCTIONS

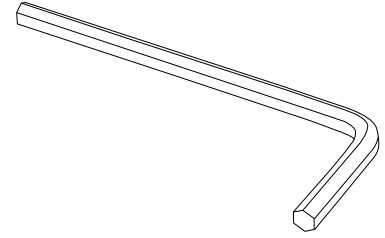
COMPONENT LIST

- U-Brackets (2 Halves)
- Gaskets (2)
- Round Base (1)
- Edge Mount (1)
- M4 × 6 mm Screws (2)
- M6 × 20 mm Screws (2)
- M6 × 35 mm Screws (2)
- M6 × 45 mm Screws (2)
(The M6 × 45 mm screws are located in a separate kit with fabric screens.)

REQUIRED TOOLS



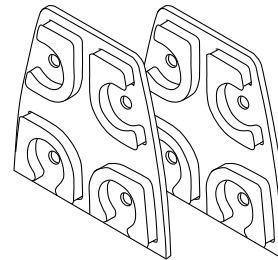
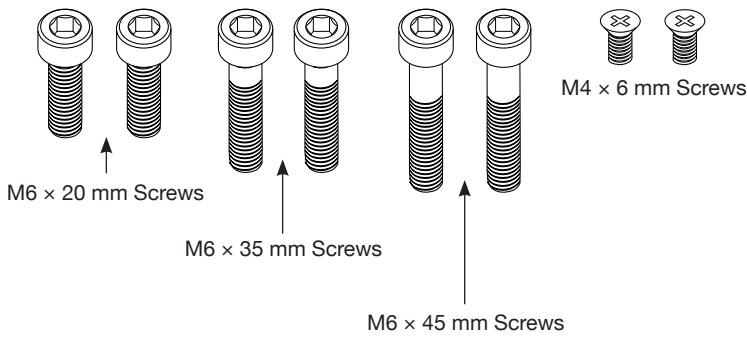
#2 Phillips-Head Screwdriver



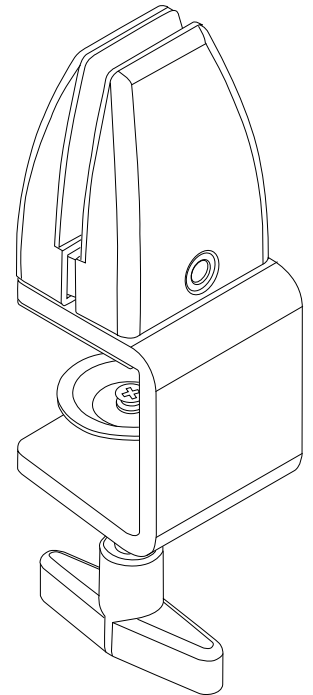
Hex L-Key, 5 mm Size

COMPONENTS

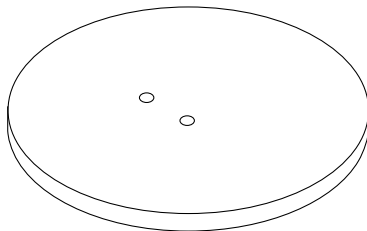
MIDDLE MOUNT PARTS



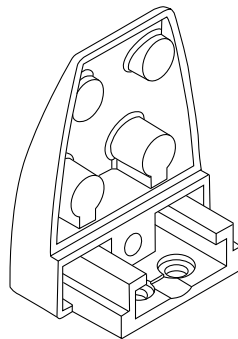
Gaskets



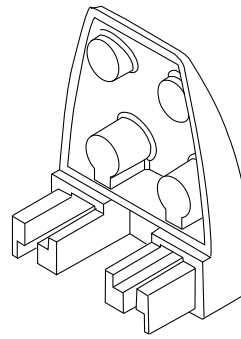
Edge Mount



Round Base

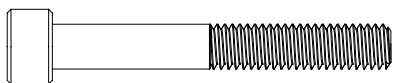


U-Bracket (Side A)

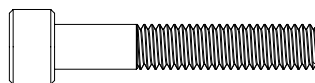


U-Bracket (Side B)

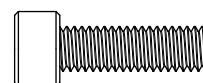
1:1 SCALE



M6 × 45 mm Screw



M6 × 35 mm Screw



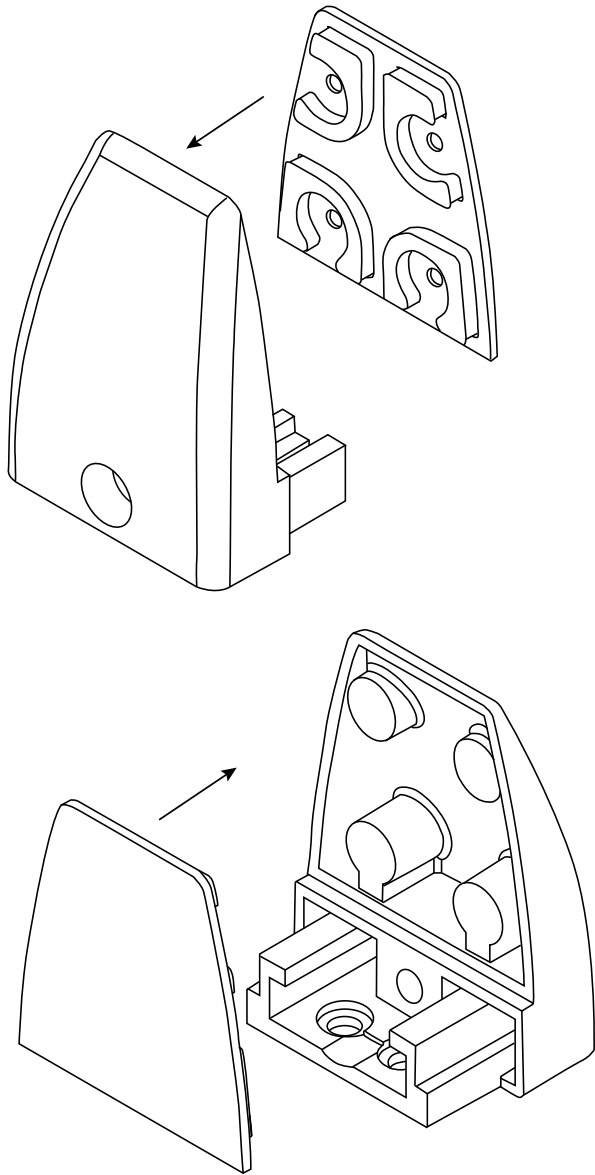
M6 × 20 mm Screw



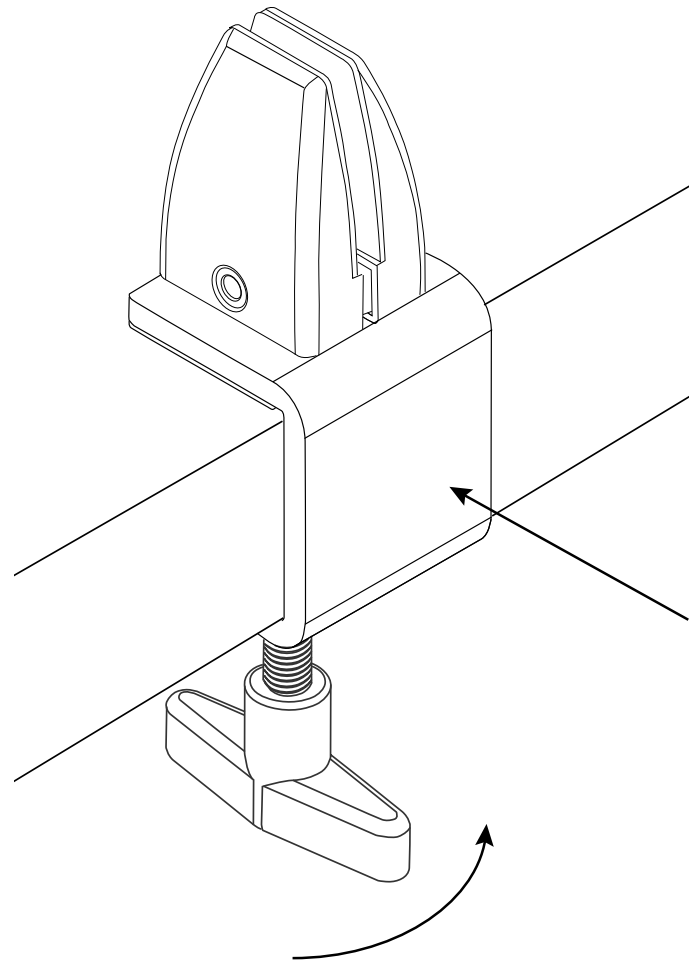
M4 × 6 mm Screw

MIDDLE MOUNT SCREEN ASSEMBLY INSTRUCTIONS

1



2



STEPS

1. Apply one gasket to each side of the U-bracket.
2. Use the knob to loosen the edge mount's C-bracket and slide the mount onto the edge of the desk. Retighten to attach the mount securely.

MIDDLE MOUNT SCREEN ASSEMBLY INSTRUCTIONS

3

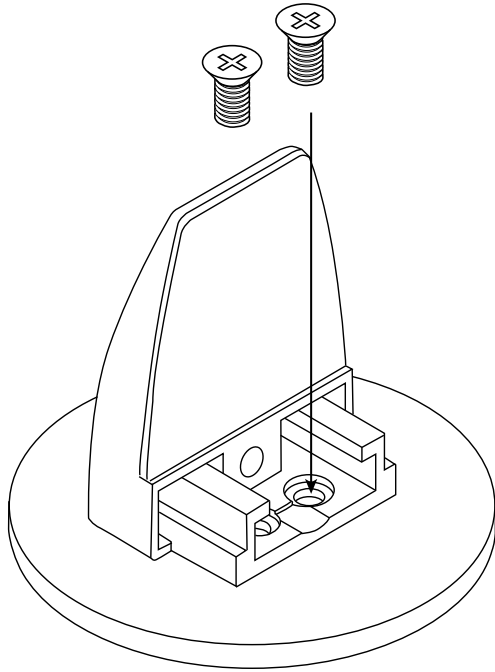


FIGURE A
Fabric

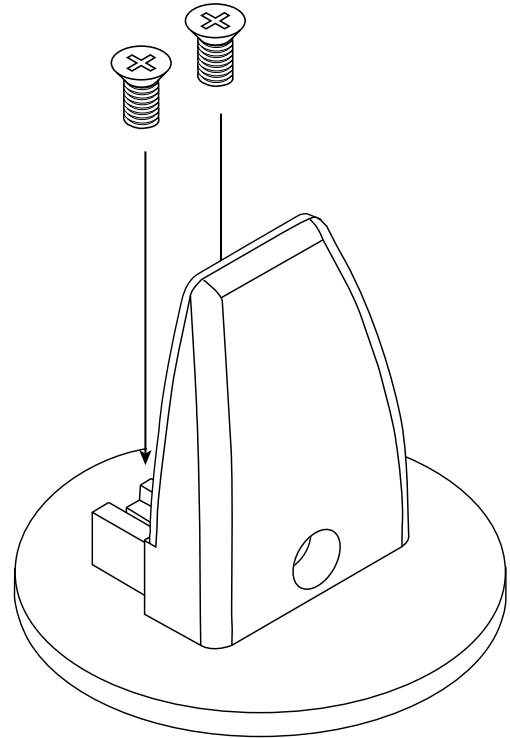


FIGURE B
Acrylic/Whiteboard

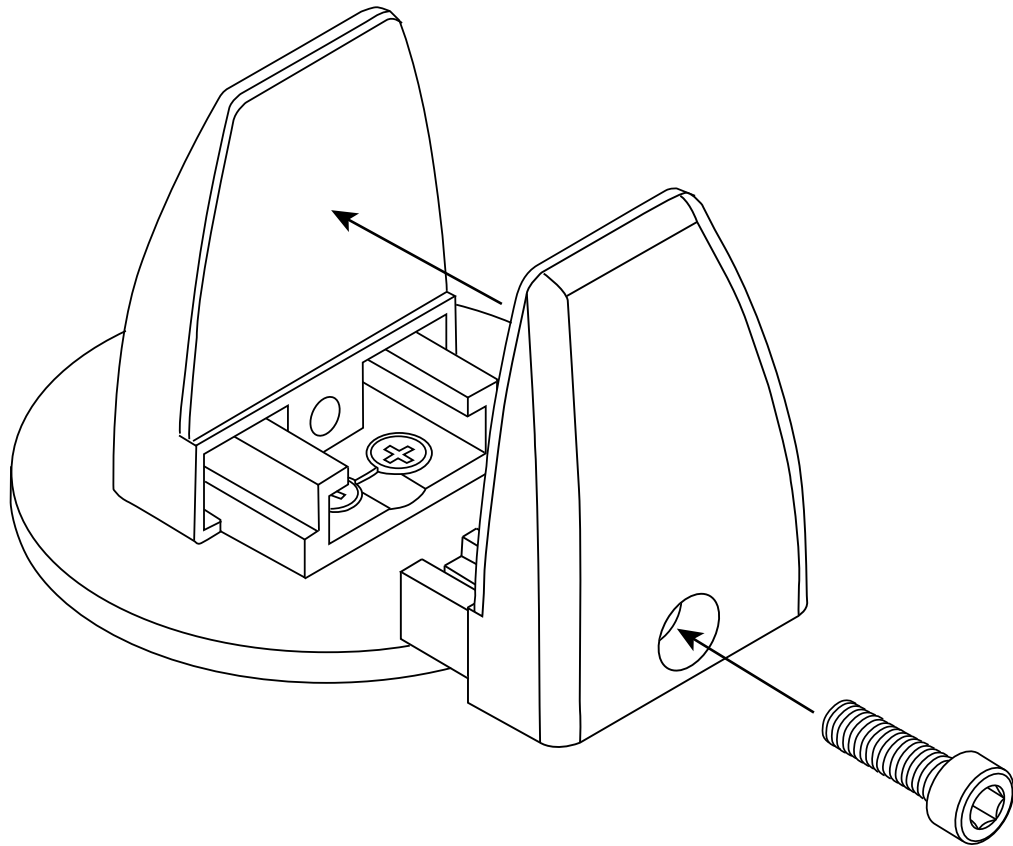
STEPS

3. Attach one side of the U-bracket (side A) to the round base using two M4 × 6 mm screws and a #2 Phillips-head screwdriver.

The round base is drilled asymmetrically. For fabric screens, the fixed half of the U-bracket will face towards the long side (see figure A). For acrylic or whiteboard screens, the fixed half of the U-bracket will face towards the short side (see figure B).

MIDDLE MOUNT SCREEN ASSEMBLY INSTRUCTIONS

4



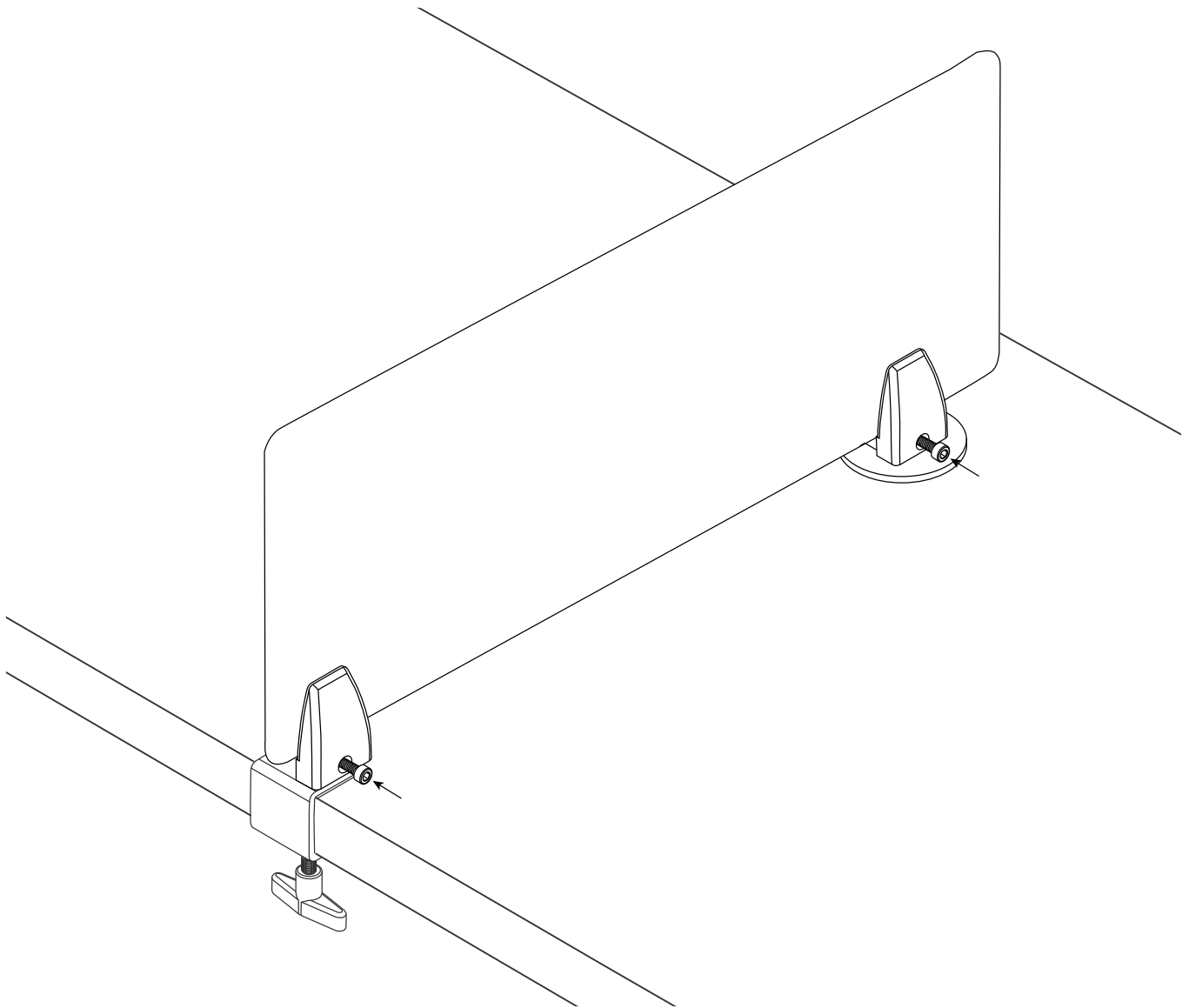
STEPS

4. Slide the B side of the U-bracket onto the A side. Attach the two sides together using the M6 screw that is appropriate for the screen material and a 5 mm hex L-key. Do not close. Make sure to leave a gap for the screen.

Use a M6 × 45mm screw for fabric screens, a M6 × 20 mm screw for acrylic screens or a M6 × 35 mm screw for whiteboard screens. Note: M6 × 45 mm screws come in a separate kit with fabric screens.

MIDDLE MOUNT SCREEN ASSEMBLY INSTRUCTIONS

5



STEPS

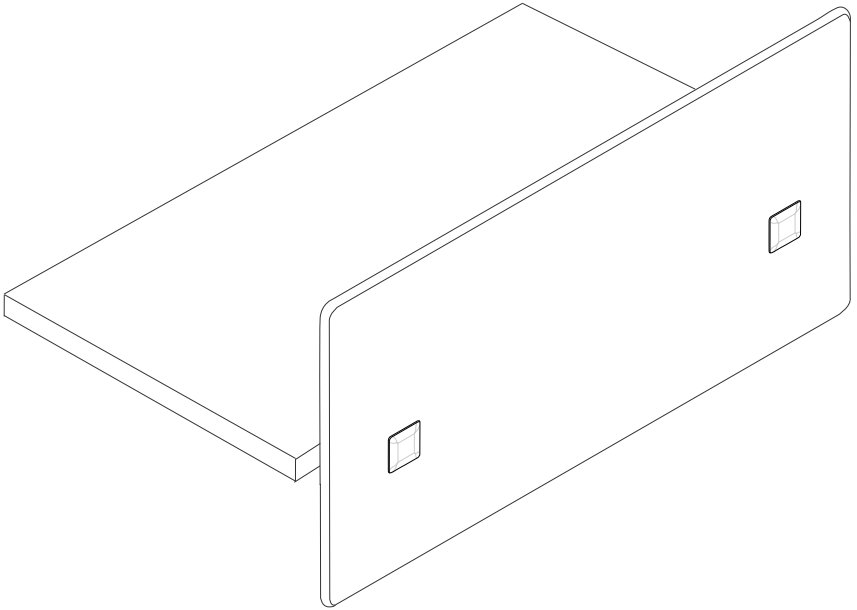
5. Insert the screen into the assembled mounts and close the U-brackets by tightening the M6 screws with the 5 mm hex L-key. Continue until the screen is secure.

To select correct M6 screw for the edge mount, see the information in step 4.

Midway

SCREEN MOUNT ASSEMBLY INSTRUCTIONS

Now more than ever, our workspaces should be safe—free from distractions, contagions and anything that gets in the way of productivity. This collection of clear and frosted acrylic, fabric and whiteboard screens stands ready to provide the privacy, protection and peace of mind you need in a landscape where the way we interact changes every day.



Read the entire instruction manual before you start installation and assembly. If you have any questions regarding any of the instructions or warnings, please contact your local distributor for assistance.

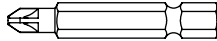
To report any issues with this product, contact our customer experience team at: (888) 274-8664 or sitonit@exemplis.com.

Recommended Tools

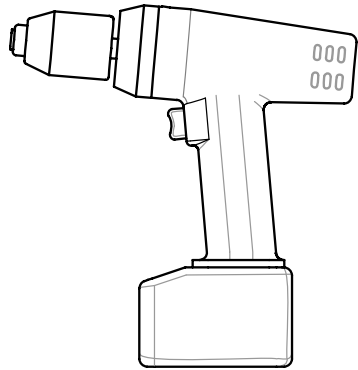
- Cordless Drill/Driver
- #2 Phillips Bit
- $\frac{3}{32}$ " Drill Bit



$\frac{3}{32}$ " Drill Bit



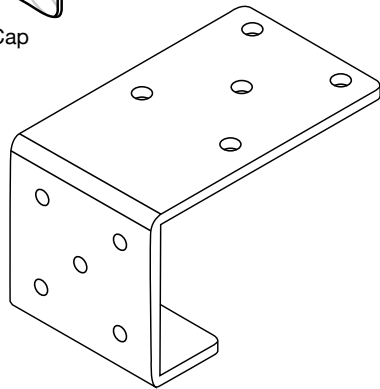
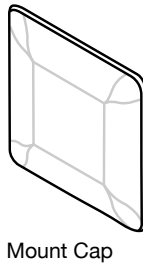
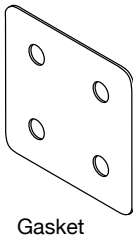
#2 Phillips Bit



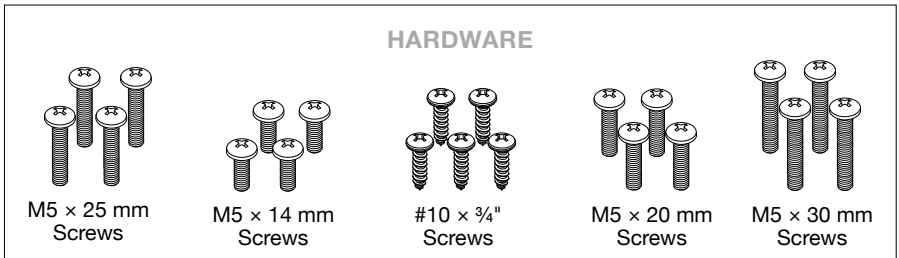
Cordless Drill/Driver

Parts

- J-Bracket (1)
- Gasket (1)
- Mount Cap (1)
- #10 × 3/4" Screw (5)
- M5 × 14 mm Screw (4)
- M5 × 20 mm Screw (4)
- M5 × 25 mm Screw (4)
(Not required for this model.)
- M5 × 30 mm Screw (4)



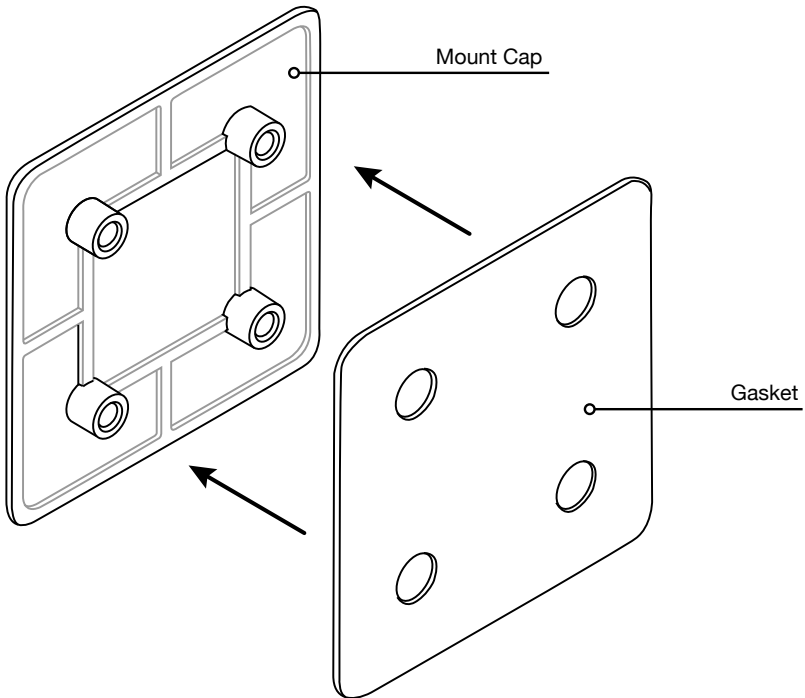
The M5 × 30 mm screws are located in a separate kit with fabric screens.



Step 1: Remove the paper from the gasket and stick it to the back of the mount cap.

Parts and instructions are per mount. The number of mounts will vary by screen length.

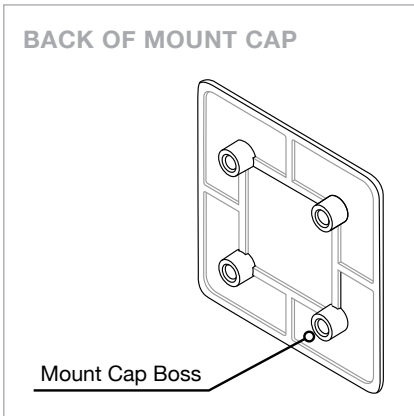
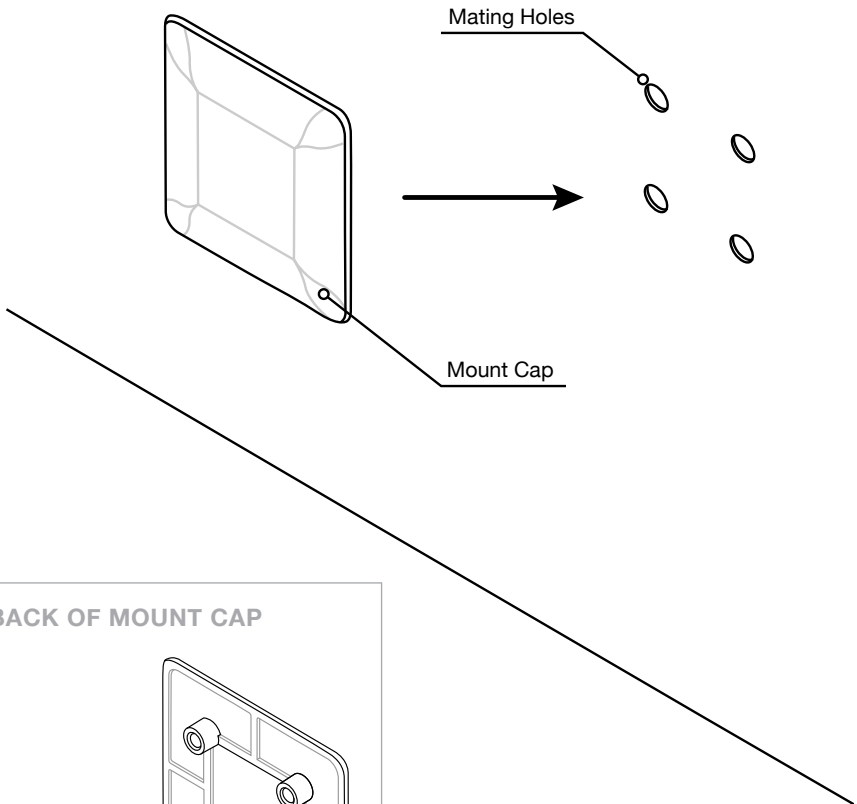
Step 1 is for acrylic screens only. Otherwise, skip to step 2.



Step 2: Align the mount cap bosses with the mating holes on the screen.

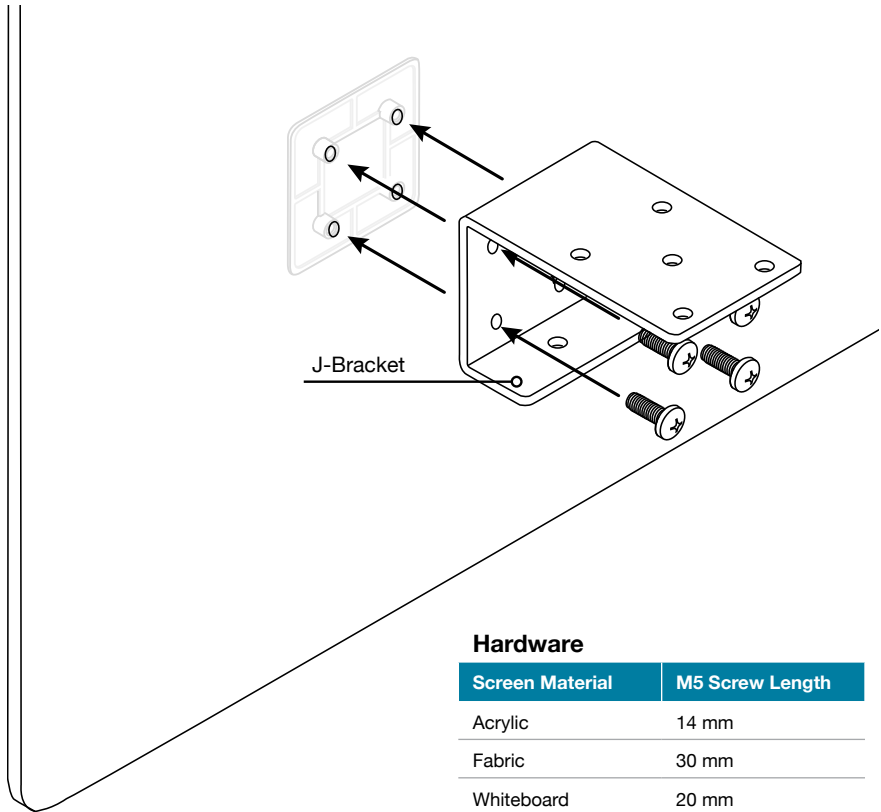
Parts and instructions are per mount. The number of mounts will vary by screen length.

Upholstered screens: to get the cap to sit flush to the screen, you may need to insert the screws into the opposite side of the screen first. See step 3.



Step 3: Attach the J-bracket to the screen, screwing into the mount cap bosses on the opposite side of the screen.

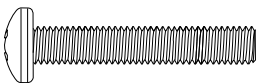
Parts and instructions are per mount. The number of mounts will vary by screen length.



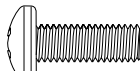
Hardware

Screen Material	M5 Screw Length
Acrylic	14 mm
Fabric	30 mm
Whiteboard	20 mm

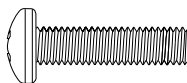
HARDWARE



M5 × 30 mm Screw

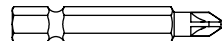


M5 × 14 mm Screw



M5 × 20 mm Screw

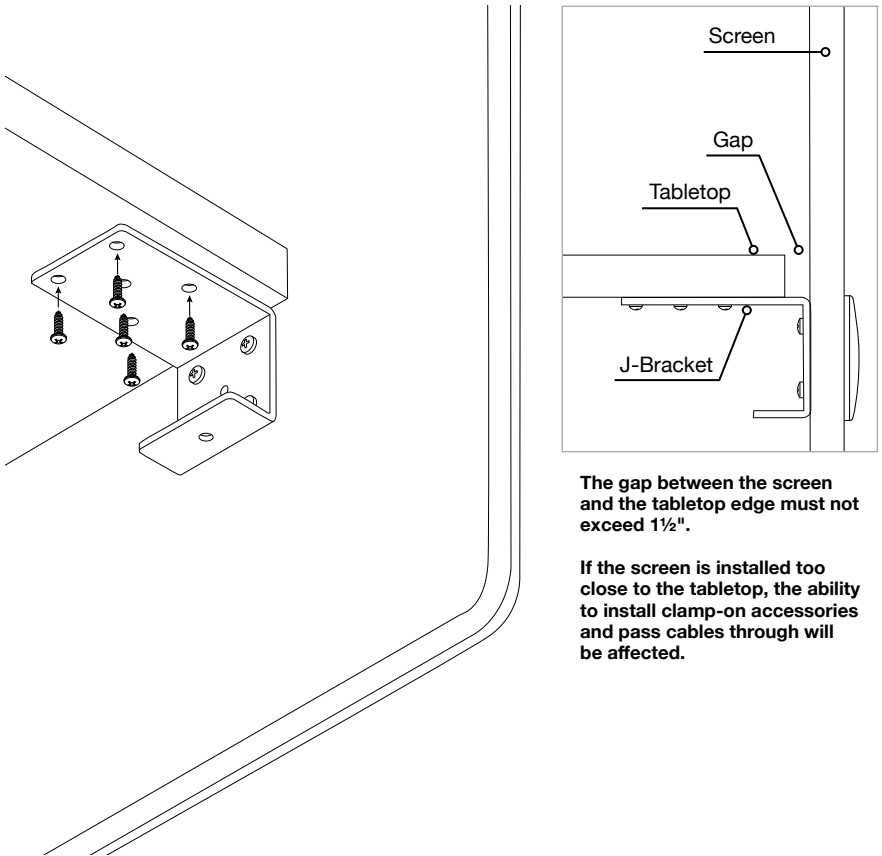
TOOLS



#2 Phillips Bit

Step 4: Attach the screen/mount assembly to the underside of the tabletop.

Parts and instructions are per mount. The number of mounts will vary by screen length.



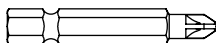
The gap between the screen and the tabletop edge must not exceed 1½".

If the screen is installed too close to the tabletop, the ability to install clamp-on accessories and pass cables through will be affected.

HARDWARE

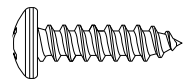


3/32" Drill Bit



#2 Phillips Bit

TOOLS

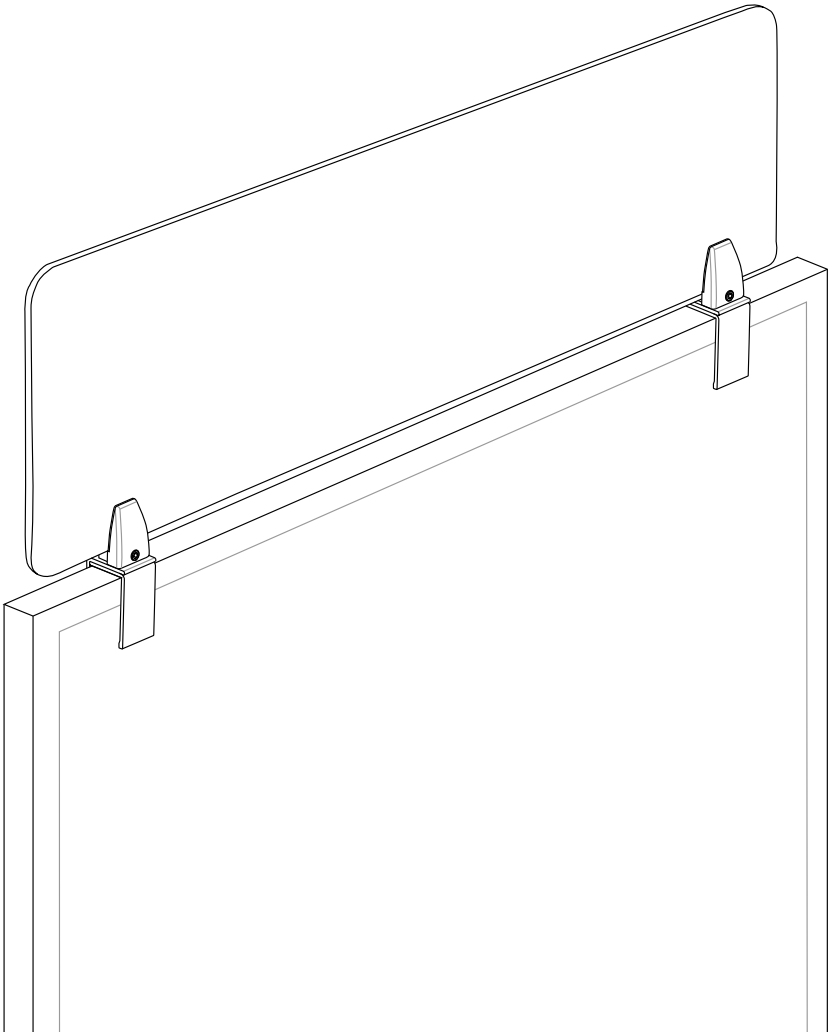


#10 × 3/4" Screw

Panel Mount

SCREEN ASSEMBLY INSTRUCTIONS

Now more than ever, our workspaces should be safe—free from distractions, contagions and anything that gets in the way of productivity. This collection of clear and frosted acrylic, fabric and whiteboard screens stands ready to provide the privacy, protection and peace of mind you need in a landscape where the way we interact changes every day.



Read the entire instruction manual before you start installation and assembly. If you have any questions regarding any of the instructions or warnings, please contact your local distributor for assistance.

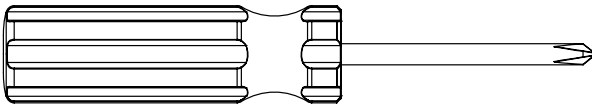
To report any issues with this product, contact our customer experience team at: (888) 274-8664 or sitonit@exemplis.com.

Recommended Tools

- 5 mm L-Key
- #2 Phillips Screwdriver



5 mm Hex L-Key

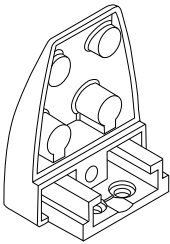


#2 Phillips Screwdriver

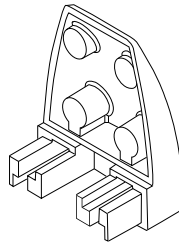
Parts

Per Mount:

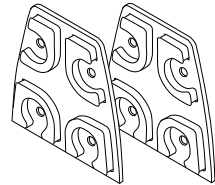
- U-Bracket (2 Halves)
- Gasket (2)
- Slotted Base (1)
- Hole-Patterned Base (1)
- Adhesive Pad (2)
- M4 × 10 mm Screw (2)
- M6 × 20 mm Screw (1)
- M6 × 35 mm Screw (1)
- M6 × 45 mm Screw (1)



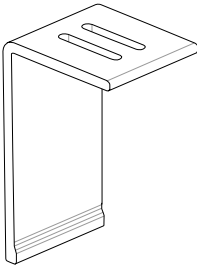
U-Bracket (Side A)



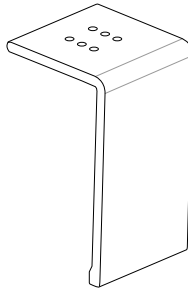
U-Bracket (Side B)



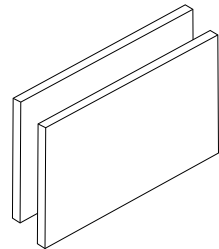
Gaskets



Slotted Base

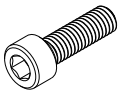


Hole-Patterned Base

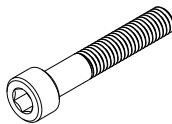


Adhesive Pads

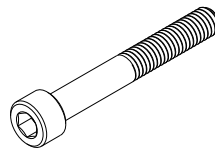
The M6 × 45 mm screw is located in a separate kit with fabric screens.



M6 × 20 mm Screw
for Sector Acrylic



M6 × 35 mm Screw
for Doodle Markerboard



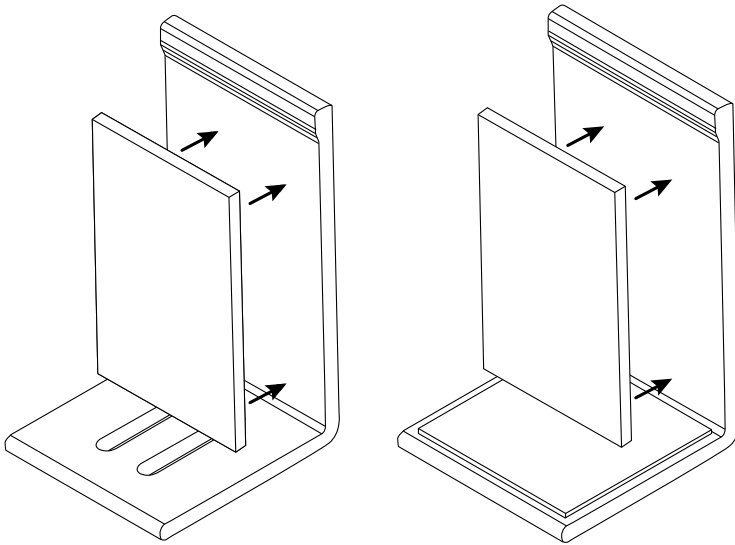
M6 × 45 mm Screw
for Motif Fabric



M4 × 10 mm
Screws

Step 1: Attach the foam pads to the bases, pressing the adhesive side firmly against the inside of the L-shape.

The instructions are per mount. The number of screen mounts will vary according to screen length.



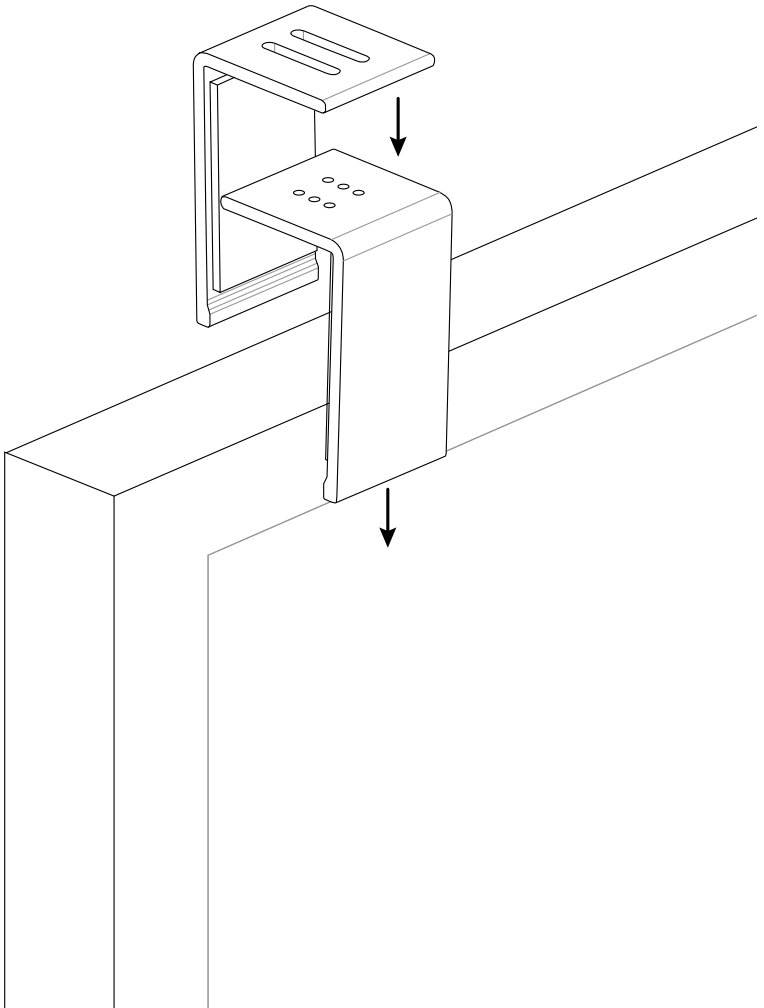
The base is drilled asymmetrically.

On fabric screen mounts, the side A will face towards the long side.

For acrylic or markerboard screens side A will face towards the shortside.

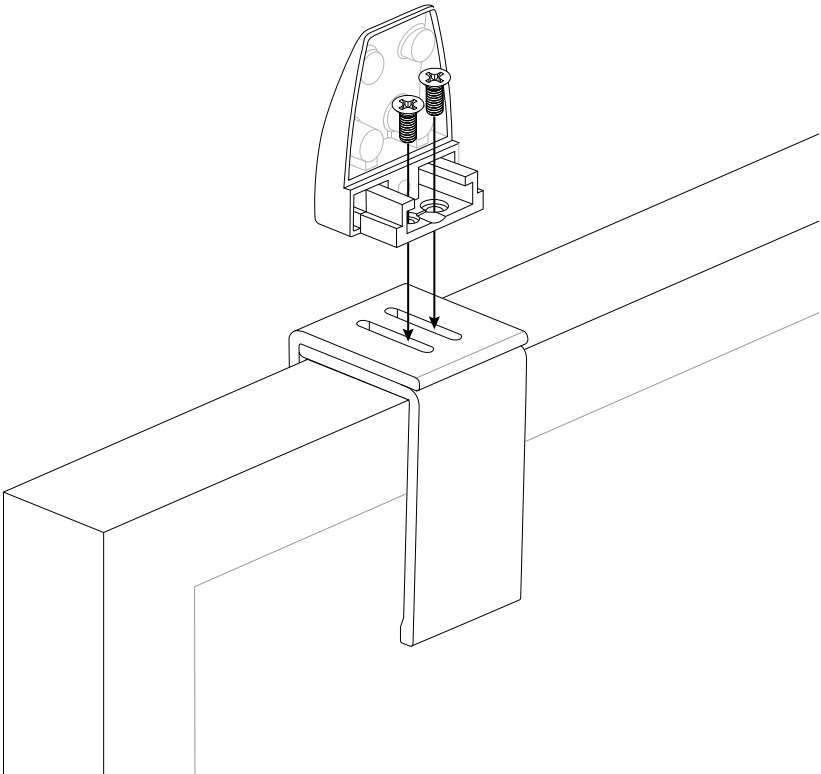
Step 2: Place the L-shaped bases over the panel with the slotted base on top of the hole-patterned base.

The instructions are per mount. The number of screen mounts will vary according to screen length.



Step 3: Attach one of the U-bracket halves (side A) to the C-bracket and the other side A to the round base.

The instructions are per mount. The number of screen mounts will vary according to screen length.

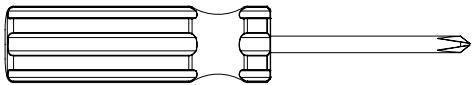


1:1 HARDWARE



M4 x 10 mm Screw

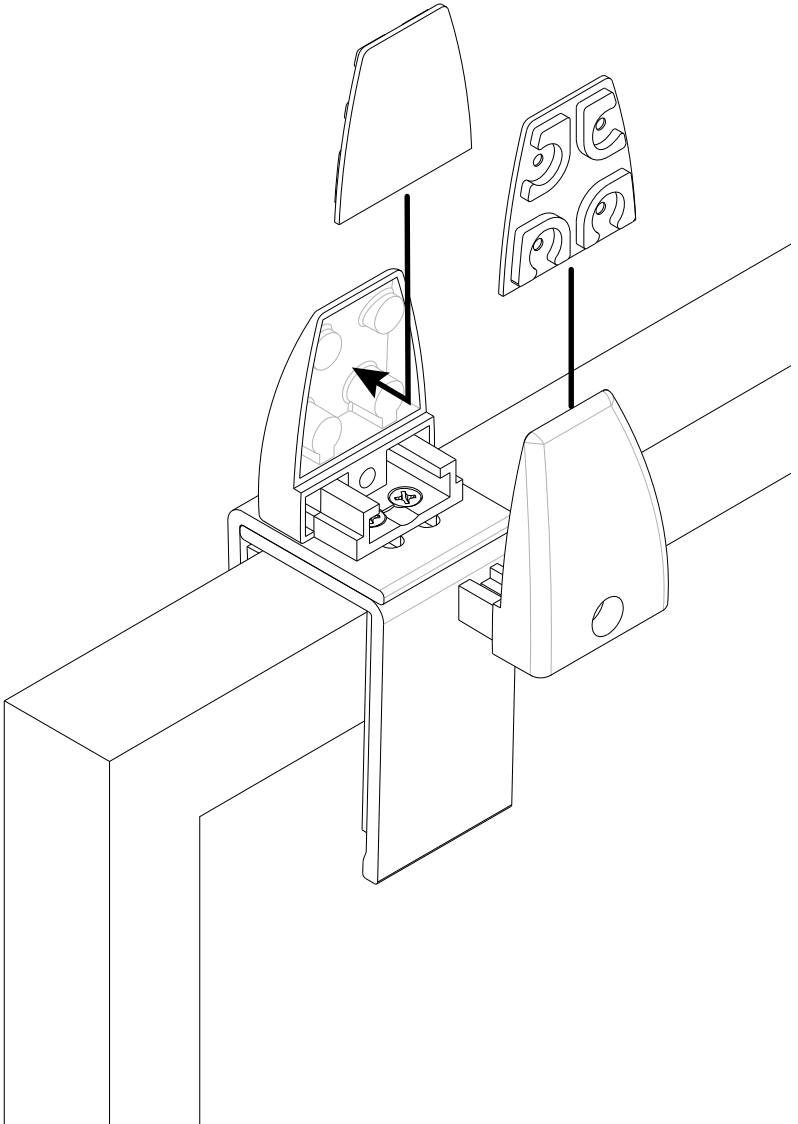
TOOLS



#2 Phillips Screwdriver

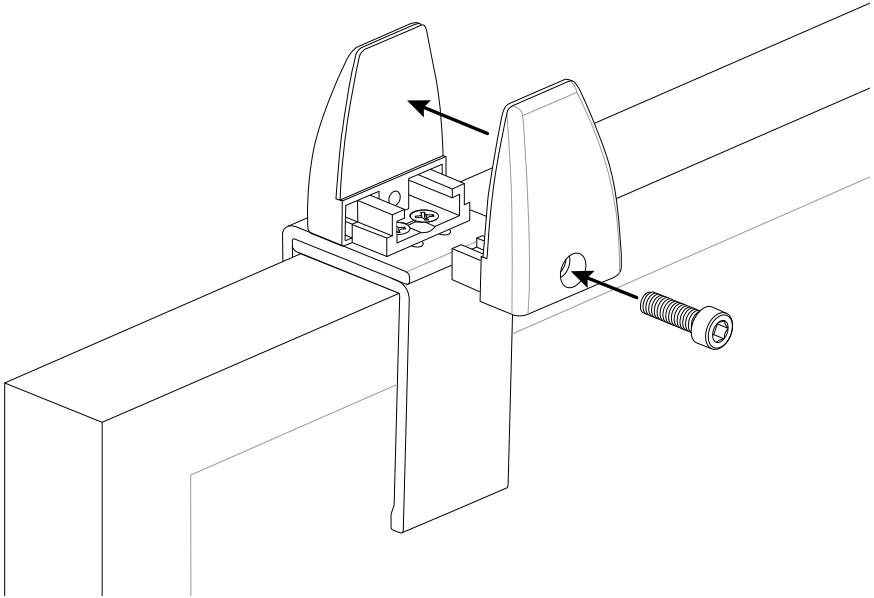
Step 4: Attach one gasket to each side of the U-Bracket

The instructions are per mount. The number of screen mounts will vary according to screen length.

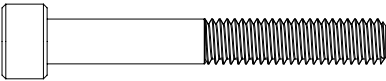


Step 5: Loosely close with the appropriate screw. Be sure to leave space for the screen.

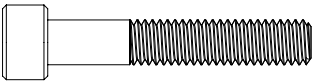
The instructions are per mount. The number of screen mounts will vary according to screen length.



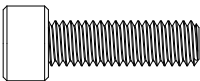
1:1 HARDWARE



M6 x 45 mm Screw for Motif Fabric

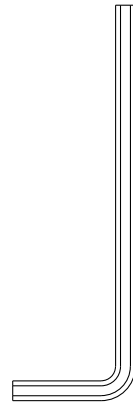


M6 x 35 mm Screw for Doodle Markerboard



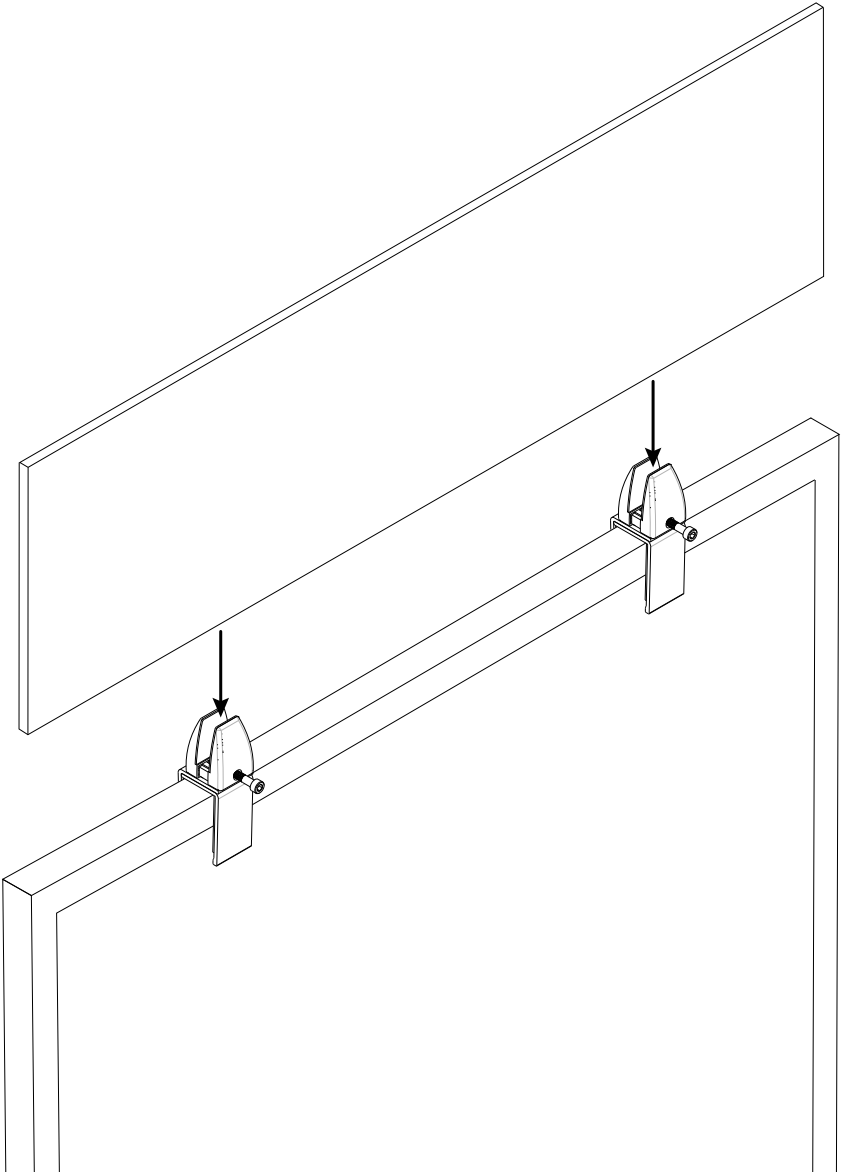
M6 x 20 mm Screw for Sector Acrylic

TOOLS



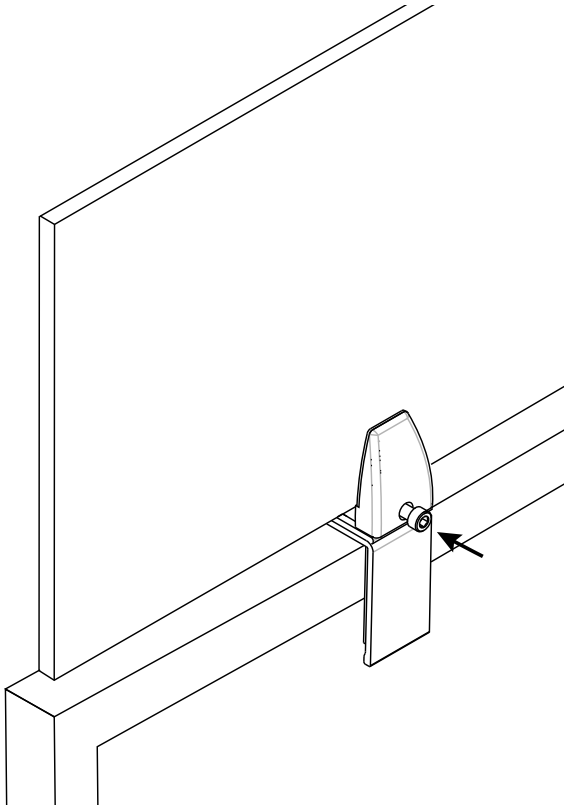
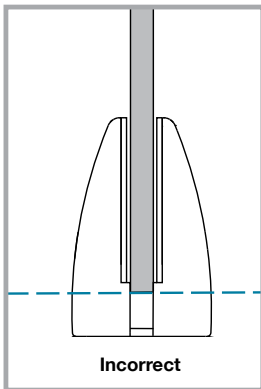
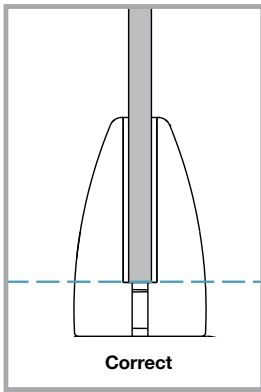
5 mm Hex L-Key

Step 6: Insert the screen into the mounts.



Step 7: Confirm to make sure screen is correctly situated (see below) and finish tightening the screw.

The number of screen mounts will vary according to screen length.



TOOLS

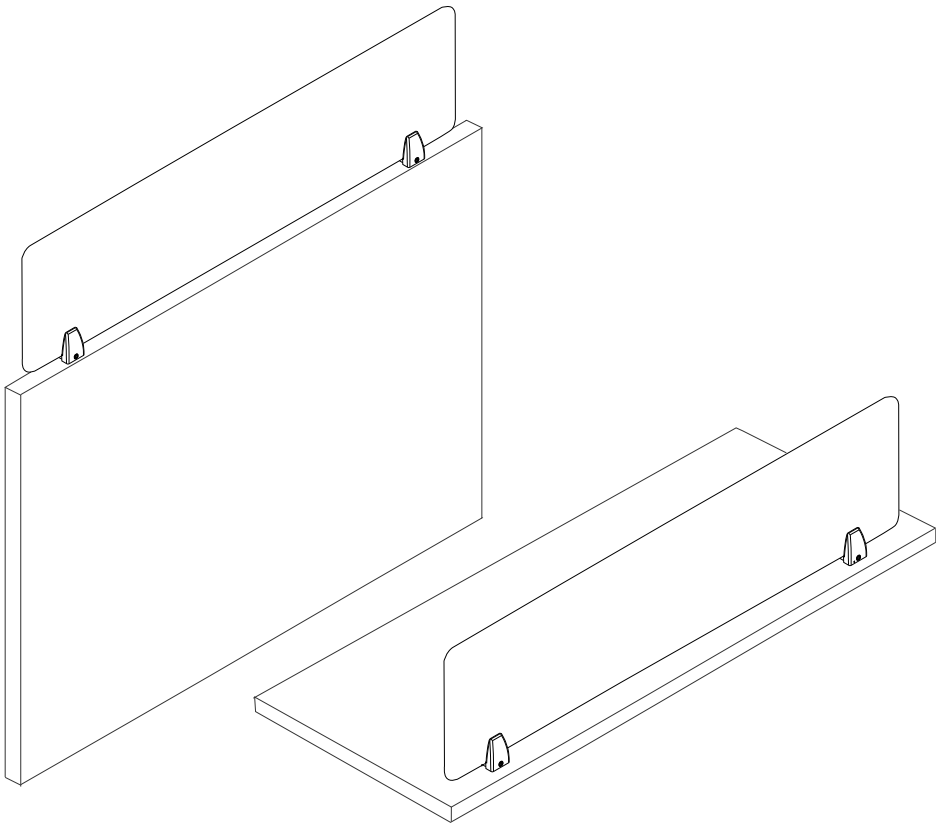


5 mm Hex L-Key

Top Mount

SCREEN ASSEMBLY INSTRUCTIONS

Now more than ever, our workspaces should be safe—free from distractions, contagions and anything that gets in the way of productivity. This collection of clear and frosted acrylic, fabric and whiteboard screens stands ready to provide the privacy, protection and peace of mind you need in a landscape where the way we interact changes every day.

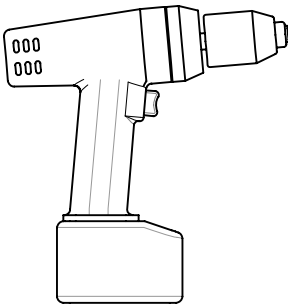


Read the entire instruction manual before you start installation and assembly. If you have any questions regarding any of the instructions or warnings, please contact your local distributor for assistance.

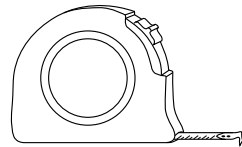
To report any issues with this product, contact our customer experience team at: (888) 274-8664 or sitonit@exemplis.com.

Recommended Tools

- Cordless Drill/Driver
(Do not over-tighten screws.)
- #2 Phillips Bit
- 5/64" Drill Bit
- 5 mm L-Key
- #2 Phillips Screwdriver
- Pencil
- Measuring Tape



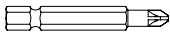
Cordless Drill/Driver



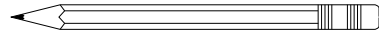
Measuring Tape



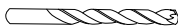
5 mm Hex L-Key



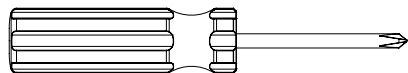
#2 Phillips Bit



Pencil



5/64" Drill Bit

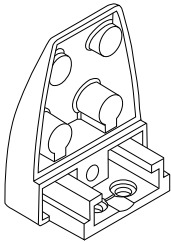


#2 Phillips Screwdriver

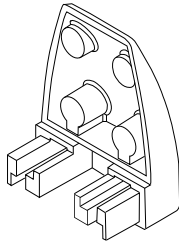
Parts

Per Mount:

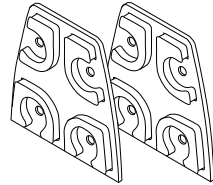
- U-Bracket (2 Halves)
- Gasket (2)
- #8 × ¾" Screws (2)
- M6 × 20 mm Screw (1)
- M6 × 35 mm Screw (1)
- M6 × 45 mm Screw (1)



U-Bracket (Side A)



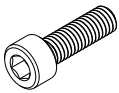
U-Bracket (Side B)



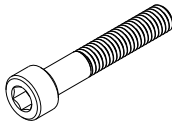
Gaskets

The M6 × 45 mm screw is located in a separate kit with fabric screens.

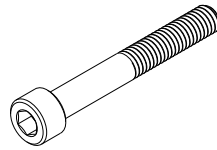
HARDWARE



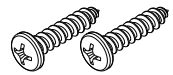
M6 × 20 mm Screw
for Sector Acrylic



M6 × 35 mm Screw
for Doodle Markerboard



M6 × 45 mm Screw
for Motif Fabric

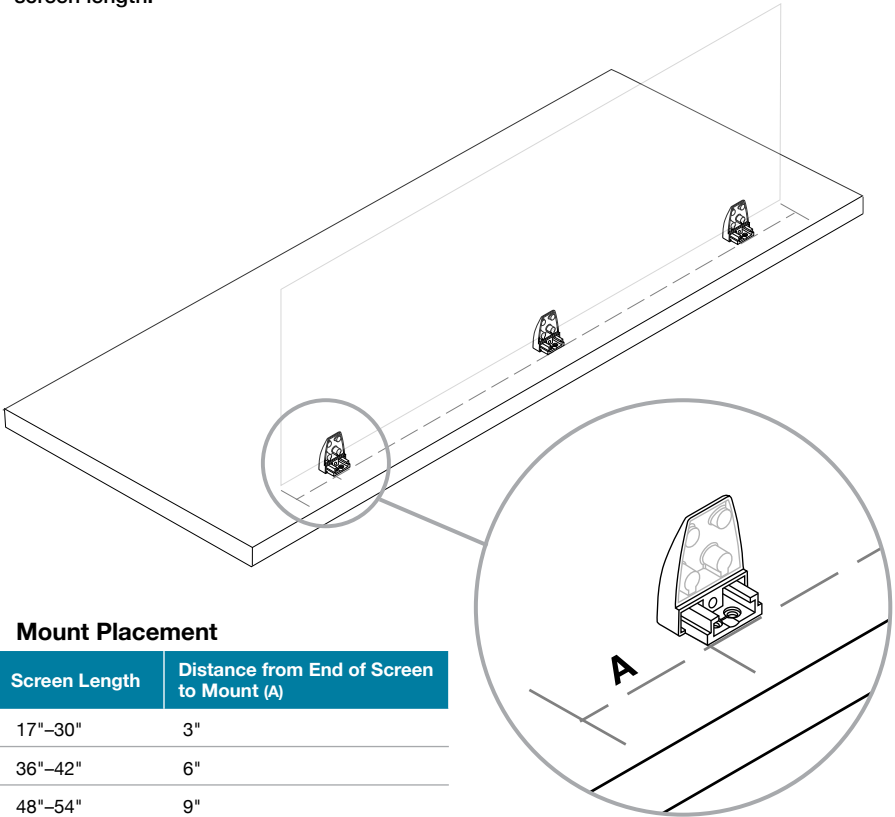


#8 × ¾"
Screws

Top Mount SCREEN ASSEMBLY INSTRUCTIONS

Step 1: With consideration for the screen's length, place the U-bracket on table in the desired location.

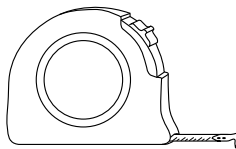
Instructions are per mount. The number of screen mounts will vary according to screen length.



Mount Placement

Screen Length	Distance from End of Screen to Mount (A)
17"-30"	3"
36"-42"	6"
48"-54"	9"
55" or Above	3" With 3rd Mount Centered Between the Other Two

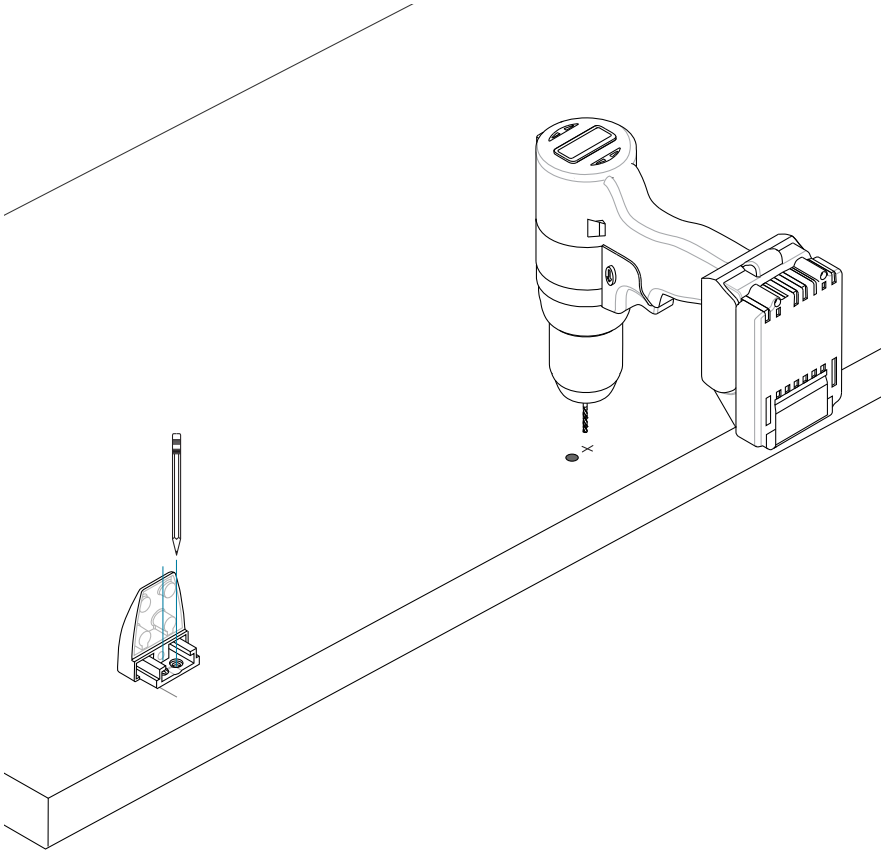
TOOLS



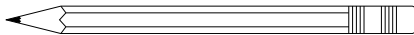
Measuring Tape

Step 2 (For tabletop installation only): Mark the center holes, remove the U-bracket and predrill holes approximately $\frac{3}{4}$ " deep.

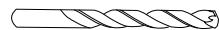
Instructions are per mount. The number of screen mounts will vary according to screen length.



TOOLS



Pencil



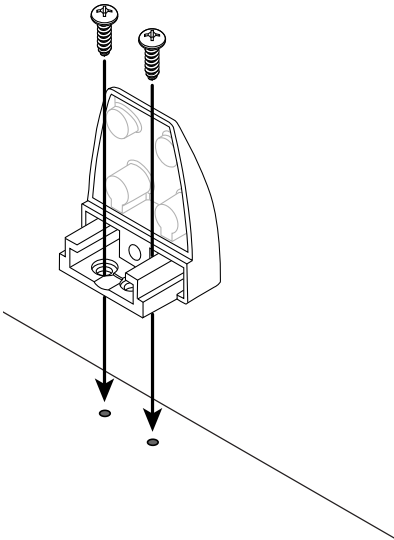
$\frac{5}{64}$ " Drill Bit

Top Mount SCREEN ASSEMBLY INSTRUCTIONS

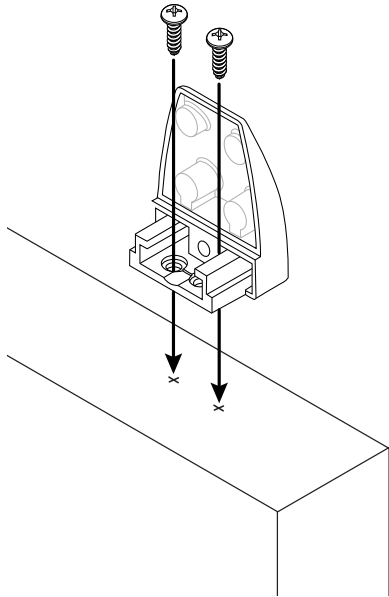
Step 3: Align the A side of the U-bracket with the pilot holes or markings and attach it to the tabletop or panel with the #8 screws.

Instructions are per mount. The number of screen mounts will vary according to screen length.

TABLETOP

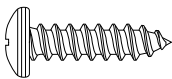


PANEL TOP



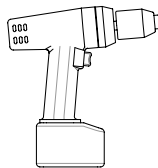
The screws included in the hardware kit are for use in installation onto a table surface. Given the range of panel system designs, required hardware will vary by system, and those screws are not included.

1:1 HARDWARE

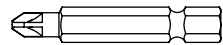


#8 x 3/4" Screw

TOOLS



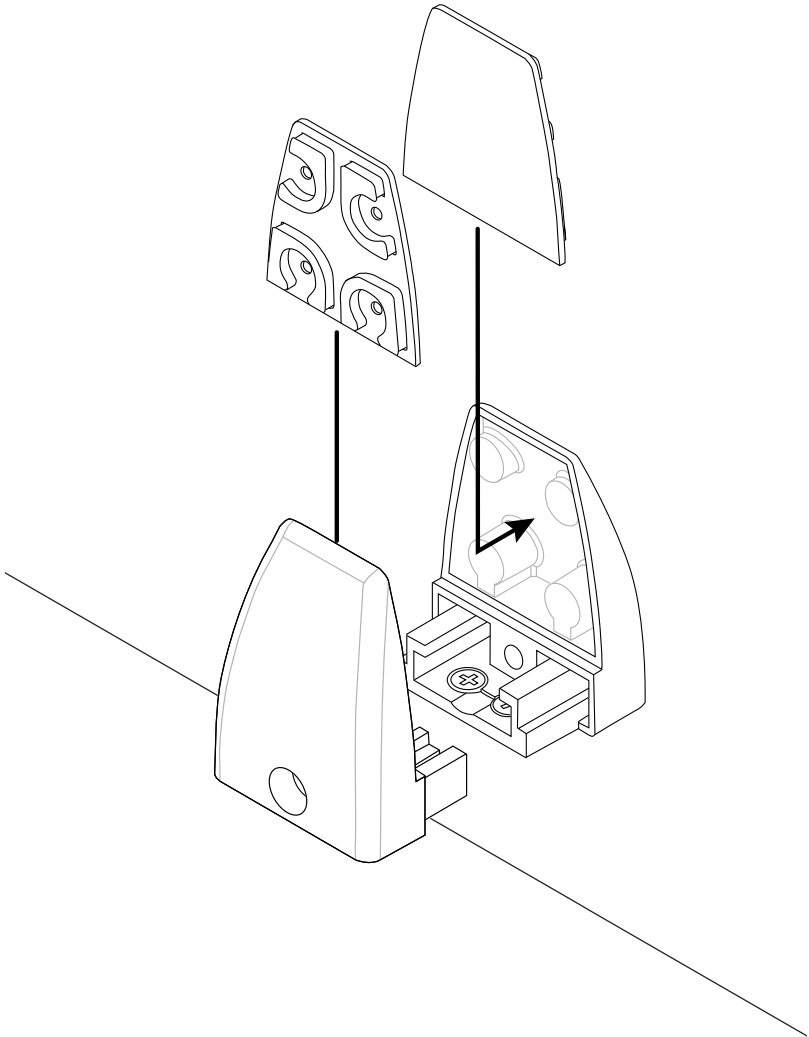
Cordless Drill/Driver



#2 Phillips Bit

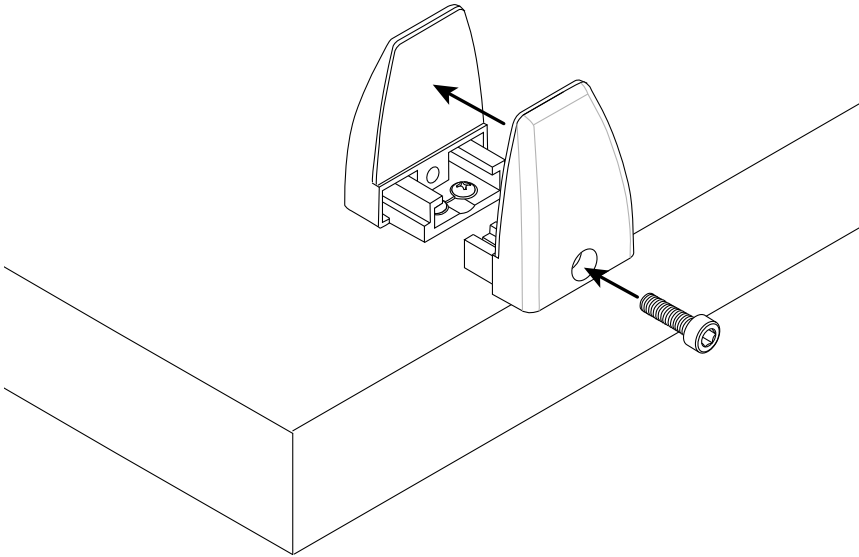
Step 4: Attach one gasket to each side of the U-Bracket

Instructions are per mount. The number of screen mounts will vary according to screen length.

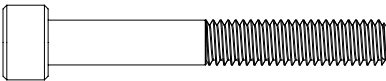


Step 5: Slide U-bracket side B onto U-bracket side A and loosely close with the appropriate screw. Be sure to leave space for the screen.

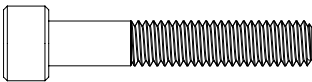
Instructions are per mount. The number of screen mounts will vary according to screen length.



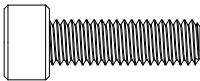
1:1 HARDWARE



M6 x 45 mm Screw for Motif Fabric

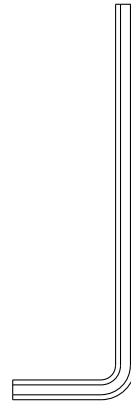


M6 x 35 mm Screw for Doodle Markerboard



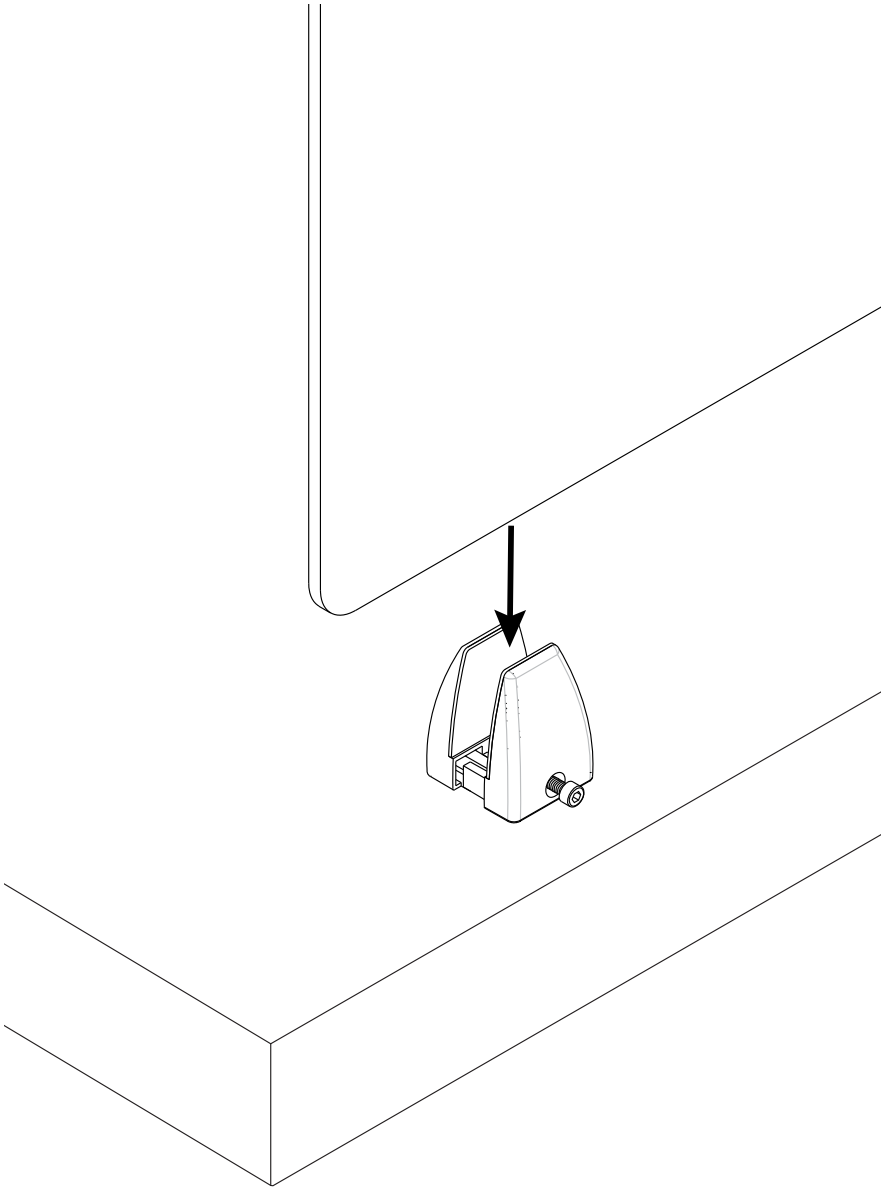
M6 x 20 mm Screw for Sector Acrylic

TOOLS



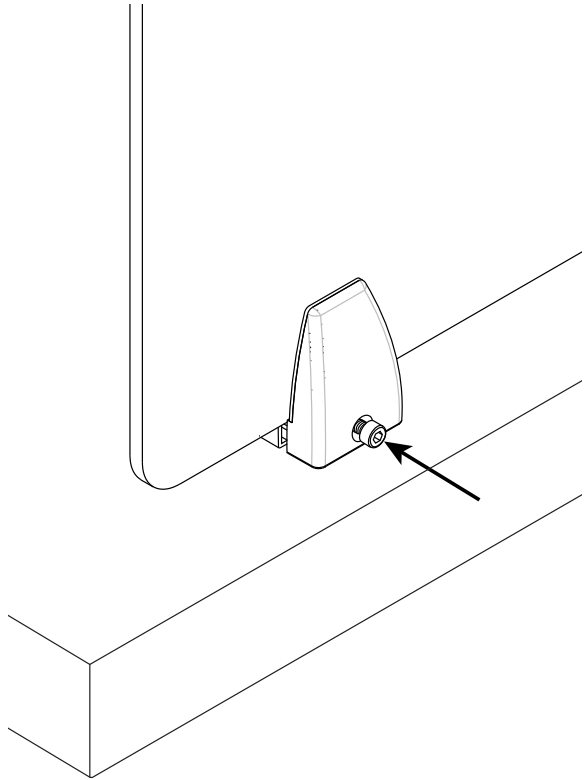
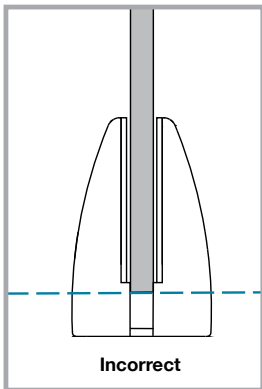
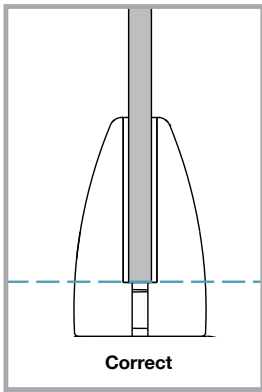
5 mm Hex L-Key

Step 6: Insert the screen into the mounts.



Step 7: Confirm to make sure screen is correctly situated (see below) and finish tightening the screw.

The number of screen mounts will vary according to screen length.



TOOLS



5 mm Hex L-Key