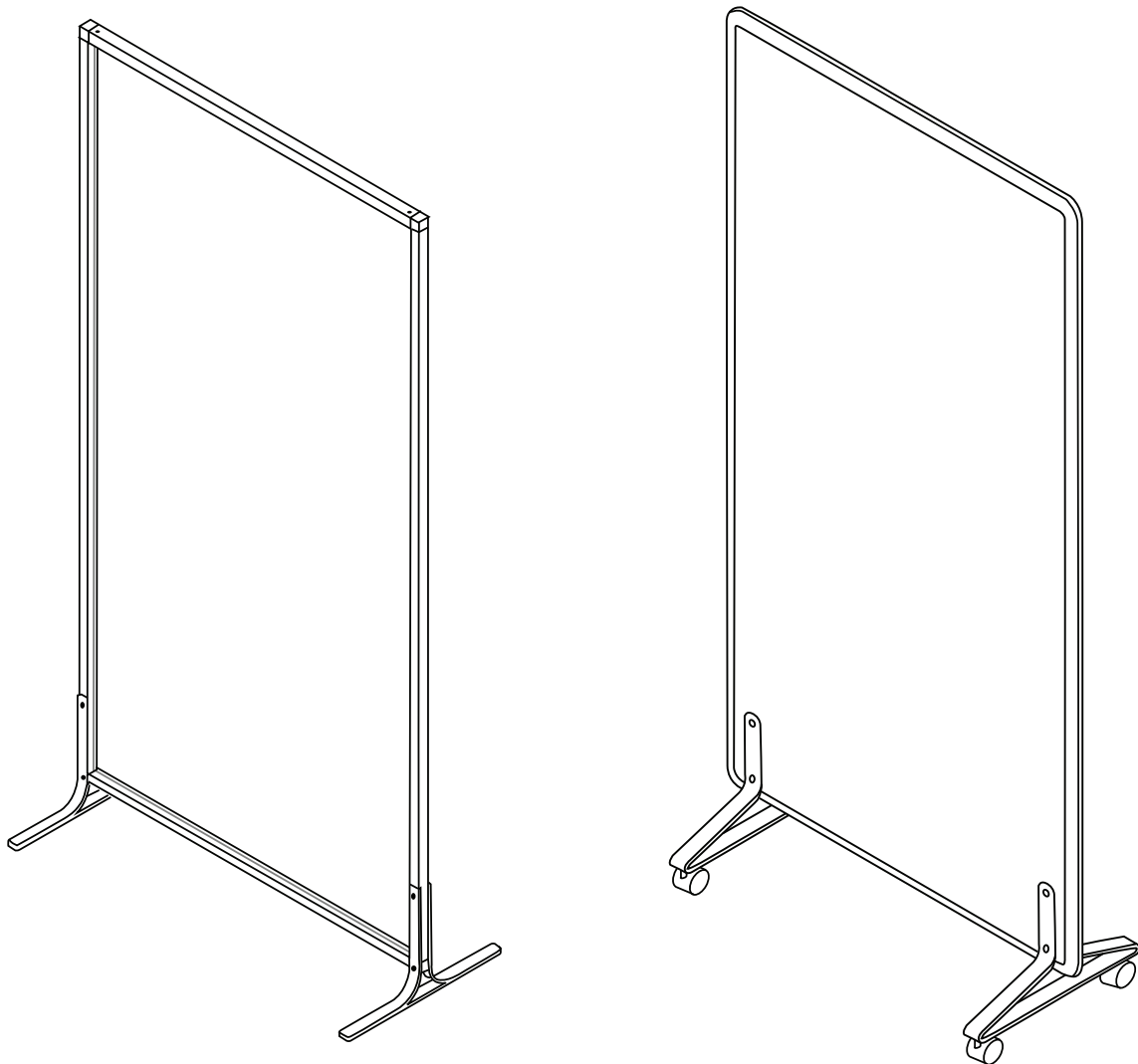


FREESTANDING/MOBILE SCREEN ASSEMBLY INSTRUCTIONS

Now more than ever, our workspaces should be safe—free from distractions, contagions and anything that gets in the way of productivity. This collection of clear and frosted acrylic, and fabric screens stands ready to provide the privacy, protection and peace of mind you need in a landscape where the way we interact changes every day.

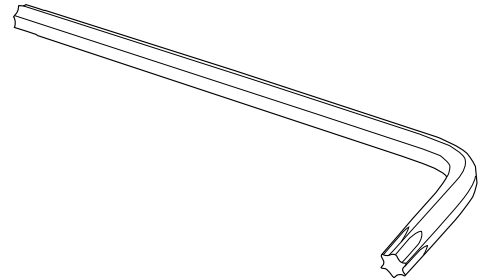


FREESTANDING/MOBILE SCREEN ASSEMBLY INSTRUCTIONS

COMPONENT LIST

- Screen: Acrylic or Fabric (1)
- Base Assembly (2)
- #10 × 3/4" Flat Head Torx Screw (4)
- #10 × 0.8" Torx Binding Barrel (4)

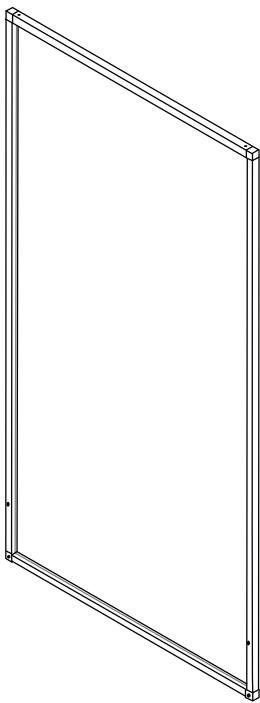
REQUIRED TOOLS



T25 Torx L-Key (Included)

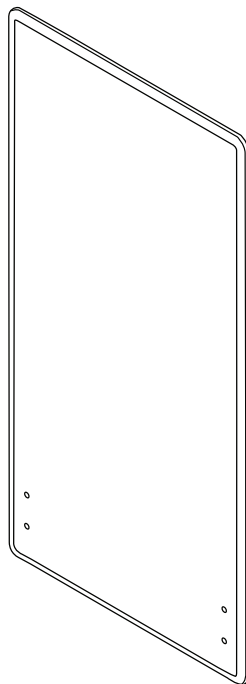
COMPONENTS

SCREEN



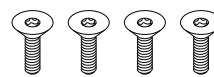
Sector Acrylic Screen

OR

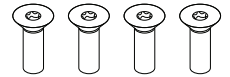


Motif Fabric Screen

HARDWARE

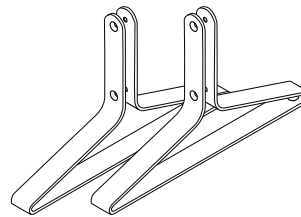


#10 × 3/4" Flat Head
Torx Screws

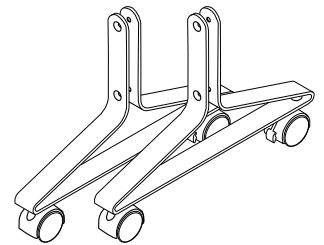


#10 × 0.8"
Torx Binding Barrels

BASE ASSEMBLIES

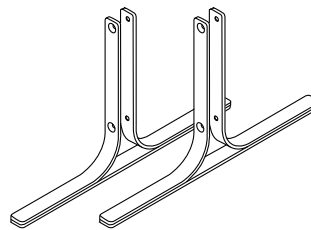


Triangle-Shaped
Freestanding

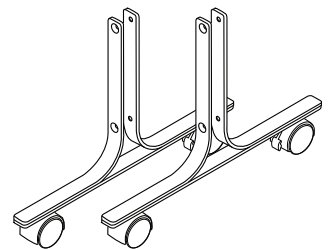


Triangle-Shaped
Mobile

OR

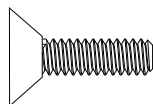


T-Shaped
Freestanding

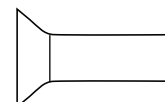


T-Shaped
Mobile

1:1 SCALE



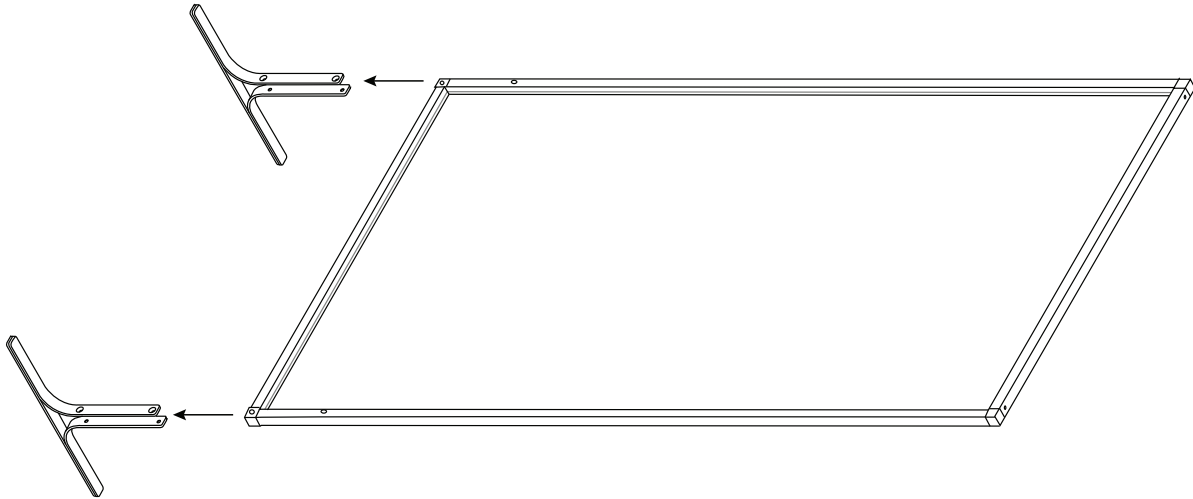
#10 × 3/4" Flat Head Torx Screw



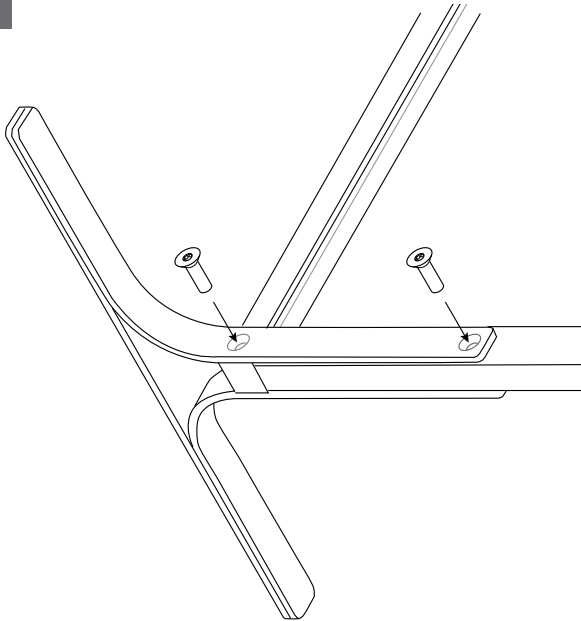
#10 × 0.8" Torx Binding Barrel

FREESTANDING/MOBILE SCREEN ASSEMBLY INSTRUCTIONS

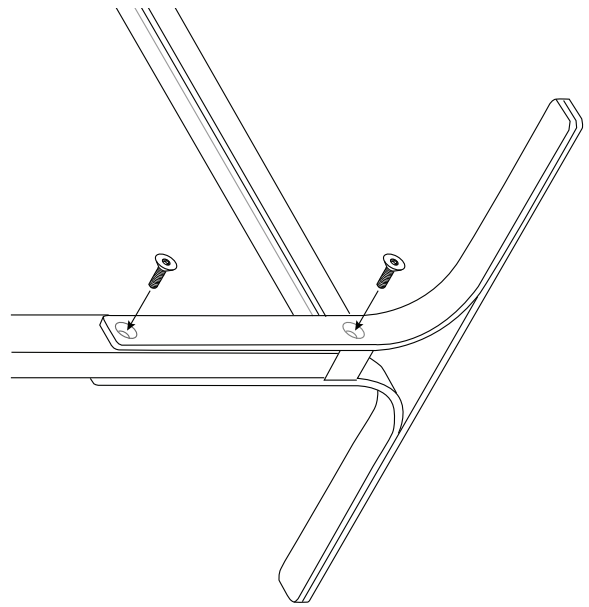
1



2



3



STEPS

1. Place the screen onto a firm flat surface and slide base assemblies onto screen, ensuring the hole pattern on the screen aligns with that of the base assemblies.
2. Insert the #10 × 0.8" binding barrels through the holes in the base assembly and into the hole pattern on the screen.
3. On the opposite side of the screen, use the included T25 Torx L-key to tighten four #10 × ¾" screws through the base assembly, hole pattern and binding barrels until firmly seated. Then, rotate complete assembly upright onto the floor and into desired position.