

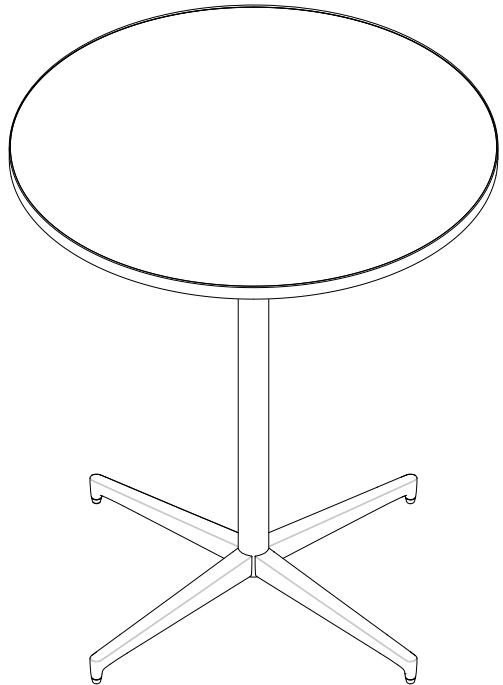
Parallon

CAFÉ AND OCCASIONAL X-BASE TABLE ASSEMBLY INSTRUCTIONS

Everything to the table.

When you want cohesion in spaces large, small, shared or separate, there's Parallon. It's a single collection with a singular look, offering an array of choices for a variety of environments—and all the features to fit.

Ensure design is never a distraction in the places where everyone needs to focus. Our Parallon line of café and occasional tables provides a unified and streamlined look from room to room.



Read the entire instruction manual before you start installation and assembly. If you have any questions regarding any of the instructions or warnings, please contact your local distributor for assistance.

To report any issues with this product, contact our customer experience team at: (888) 274-8664 or sitonit@exemplis.com.



CAUTION

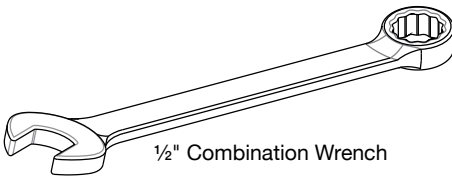
Failure to follow instructions could result in product failure or potential injury.

Do not apply sudden weight to table.

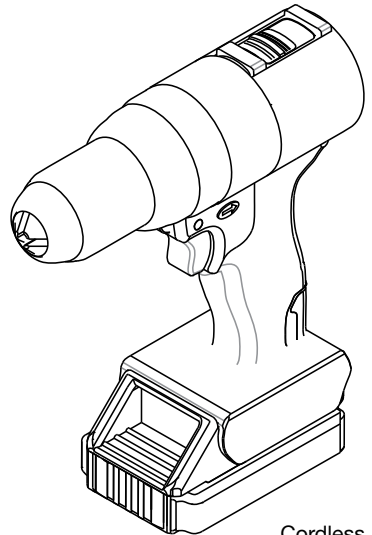
Do not exceed 200 lb static load weight capacity.

Recommended Tools

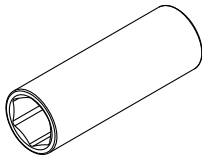
- Cordless Drill/Driver
- #3 Phillips Bit
- 5/32" Hex Bit
- 1/2" Combination Wrench
- 1/2" Deep Well Hex Socket, 1/4" Drive
- Hex Shank to 1/4" Square Drive Adapter
- Universal Joint, 1/4" Drive



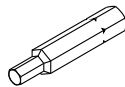
1/2" Combination Wrench



Cordless Drill/Driver



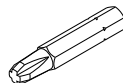
1/2" Deep Well Hex Socket, 1/4" Drive



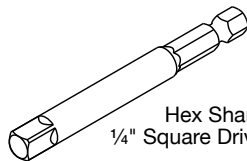
5/32" Hex Bit



Universal Joint 1/4" Drive



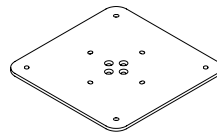
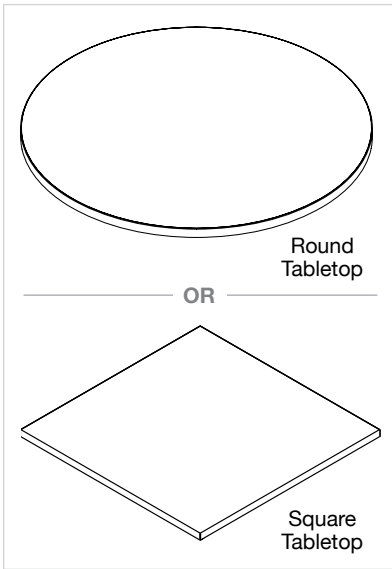
#3 Phillips Bit



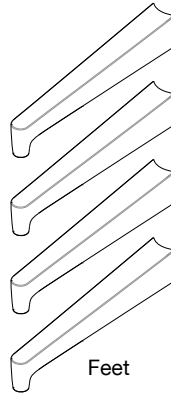
Hex Shank to 1/4" Square Drive Adapter

Parts

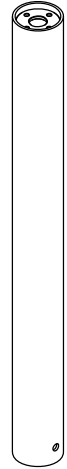
- Tabletop (1, round or square)
- Top Plate
- Column (1)
- Foot (4)
- **Pack A:**
 - #12 x 1" Screw (8)
- **Pack B:**
 - $\frac{5}{16}$ " x 1 $\frac{1}{2}$ " Bolt (4)
 - $\frac{5}{16}$ " Nut (4)
 - Foot Attachment Plate (4)
- **Pack C:**
 - $\frac{1}{4}$ " x 1" Screw (4)



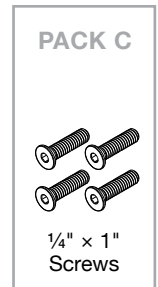
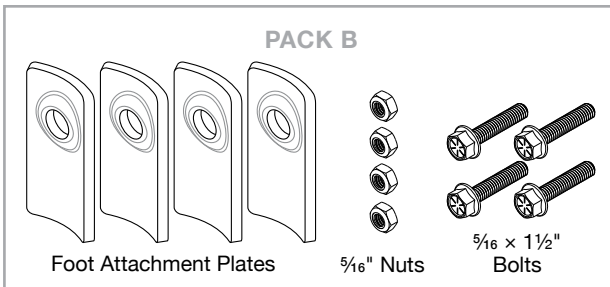
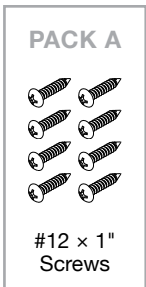
Top Plate



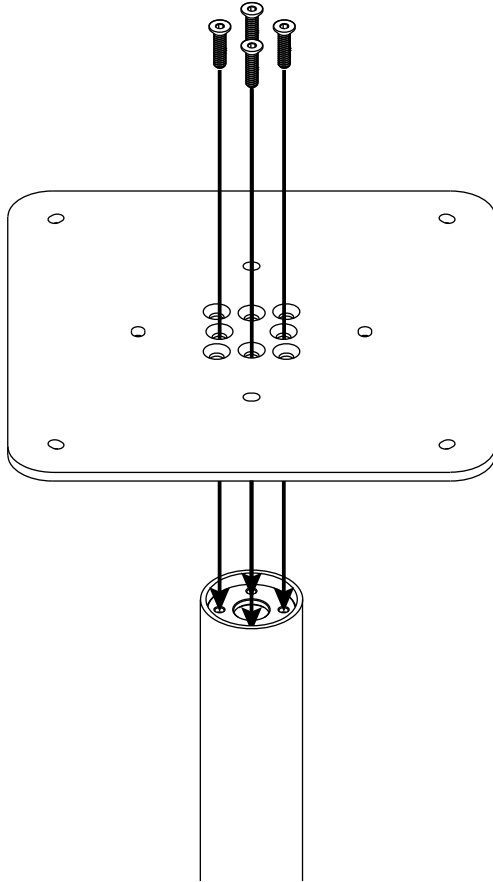
Feet



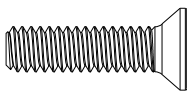
Column



Step 1: Attach the top plates to the columns.

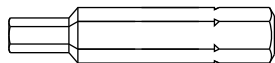


1:1 HARDWARE



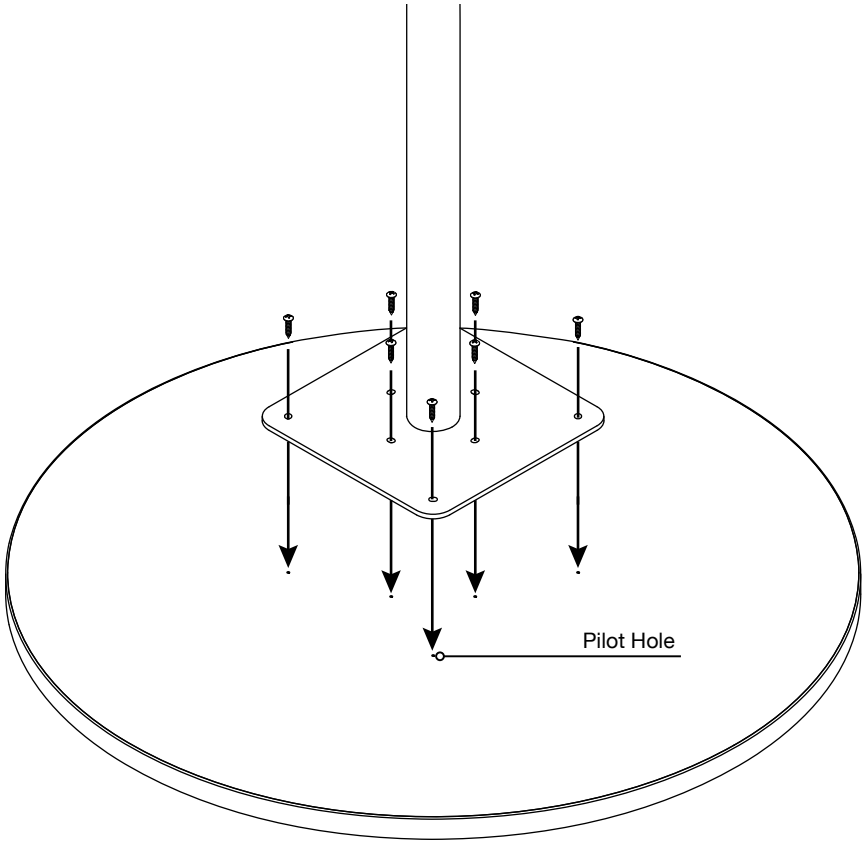
1/4" x 1" Screw (Pack C)

TOOLS

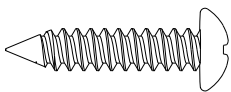


5/32 Hex Drill Bit

Step 2: Attach the column assembly to the tabletop.

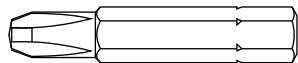


1:1 HARDWARE



#12 x 1" Screw (Pack A)

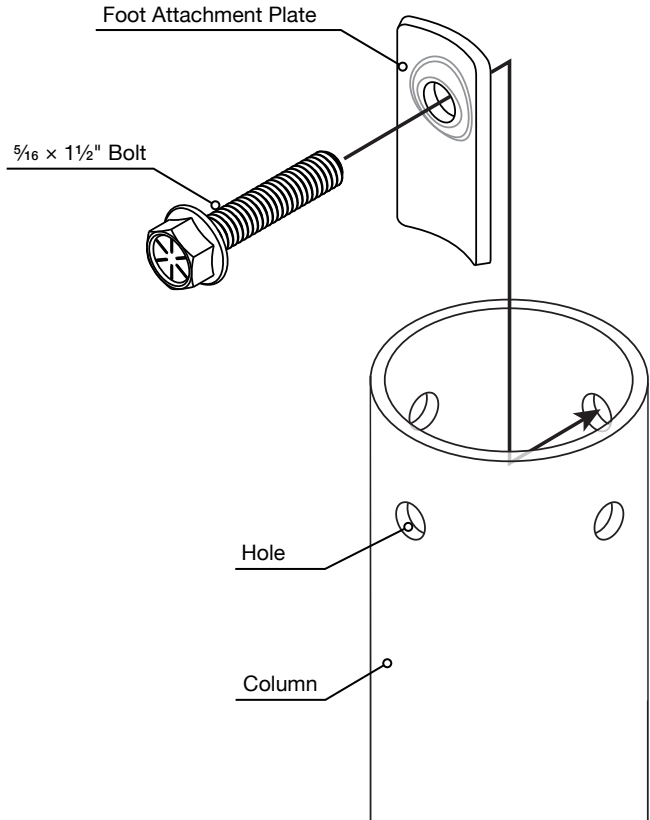
TOOLS



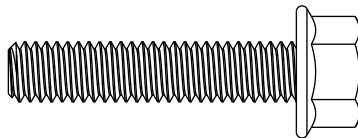
#3 Phillips Bit

Step 3: Slide the bolt through the foot attachment plate and column.

Repeat this step with each foot.



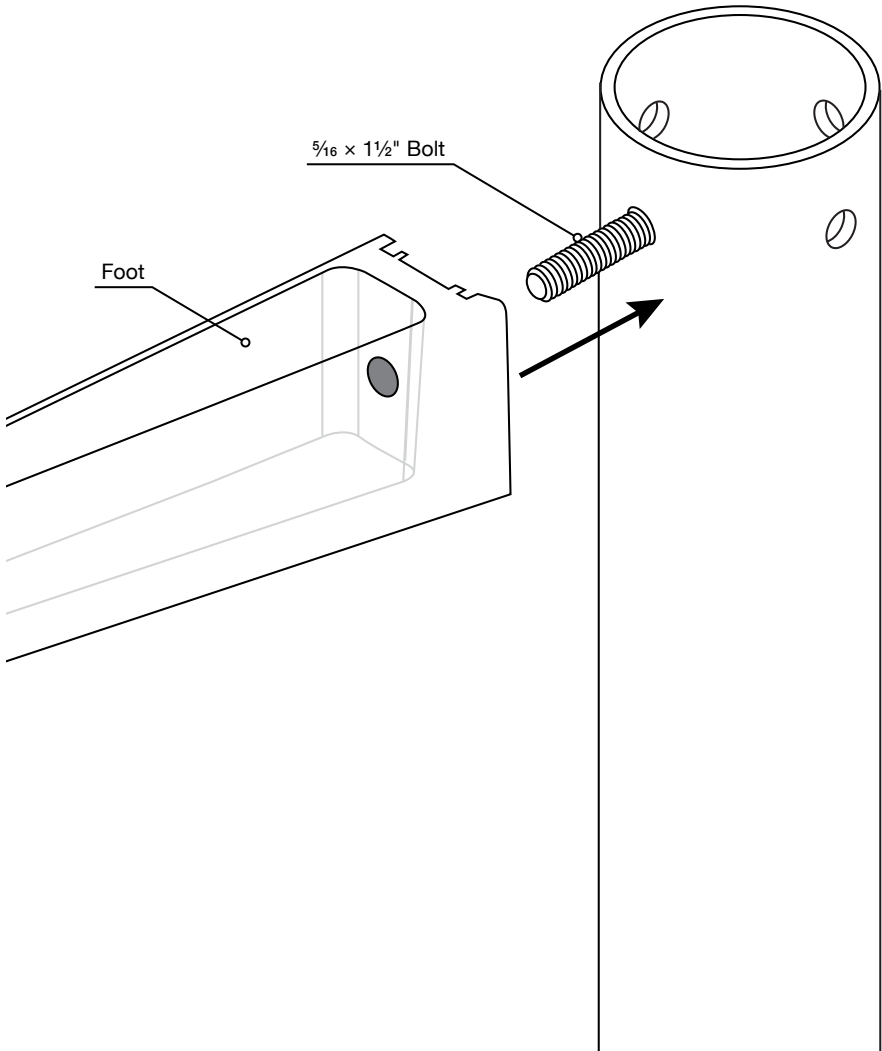
1:1 HARDWARE



$\frac{5}{16} \times 1\frac{1}{2}$ " Bolt (Pack B)

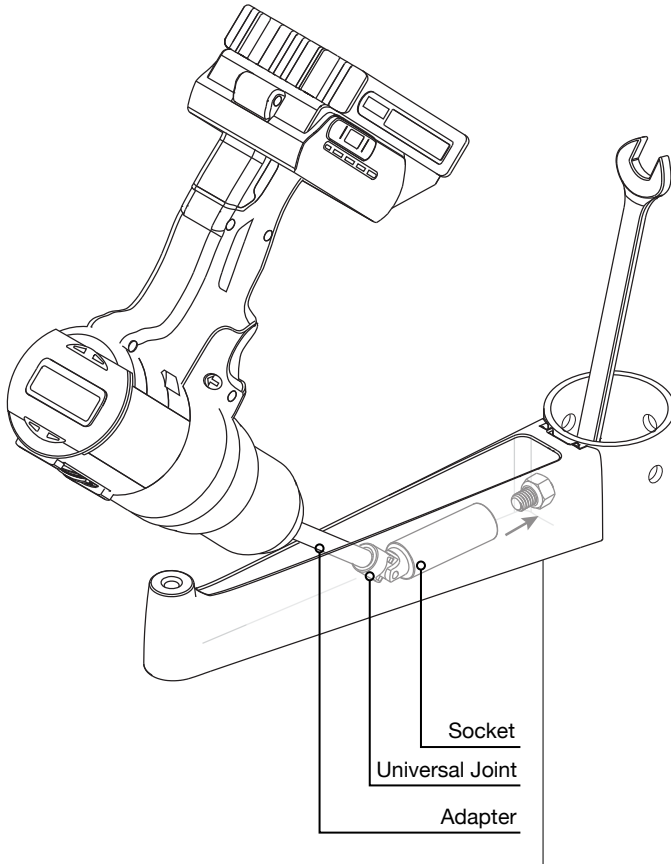
Step 4: Slide the foot over the bolt.

Repeat this step with each foot.

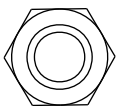


Step 5: Hold the bolt in place and tighten the nut.

Repeat this step with each foot.

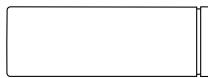


1:1 HARDWARE

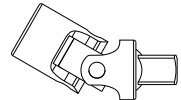


5/16 Nut (Pack B)

TOOLS



1/2" Deep Well Hex Socket,
1/4" Drive

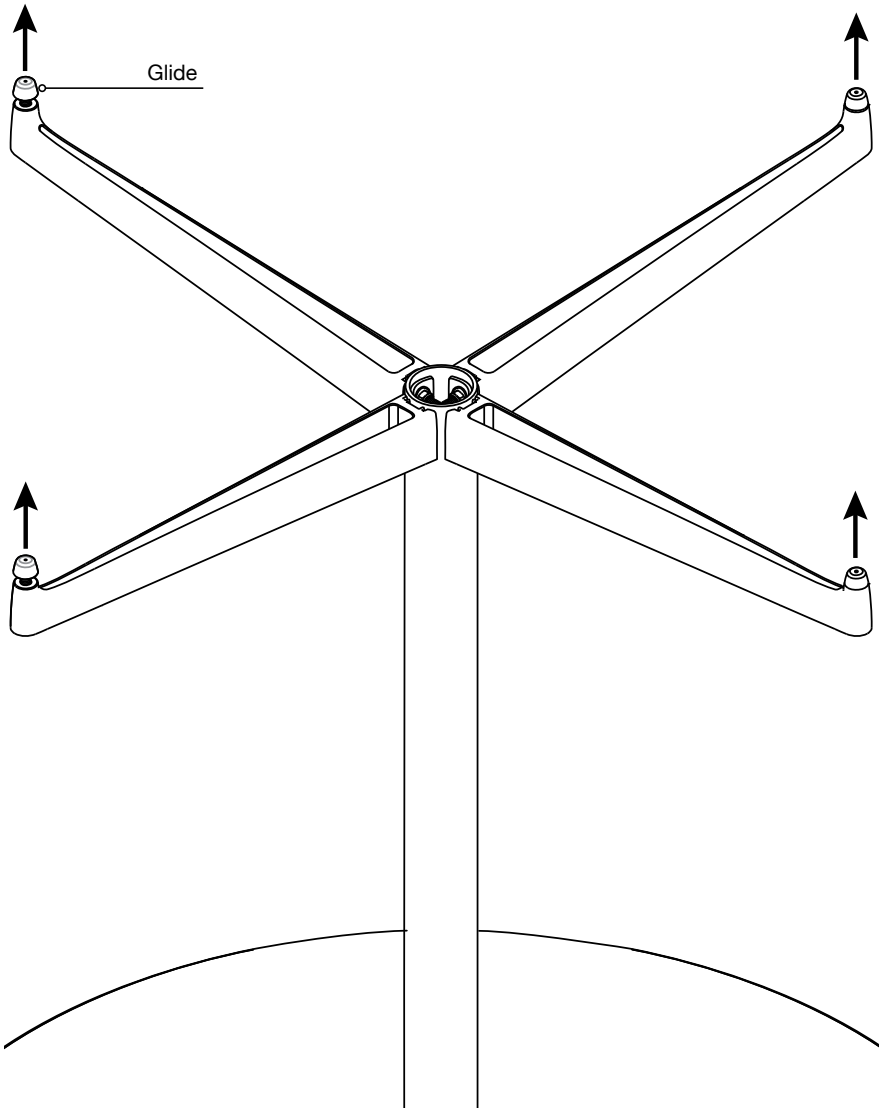


Universal Joint

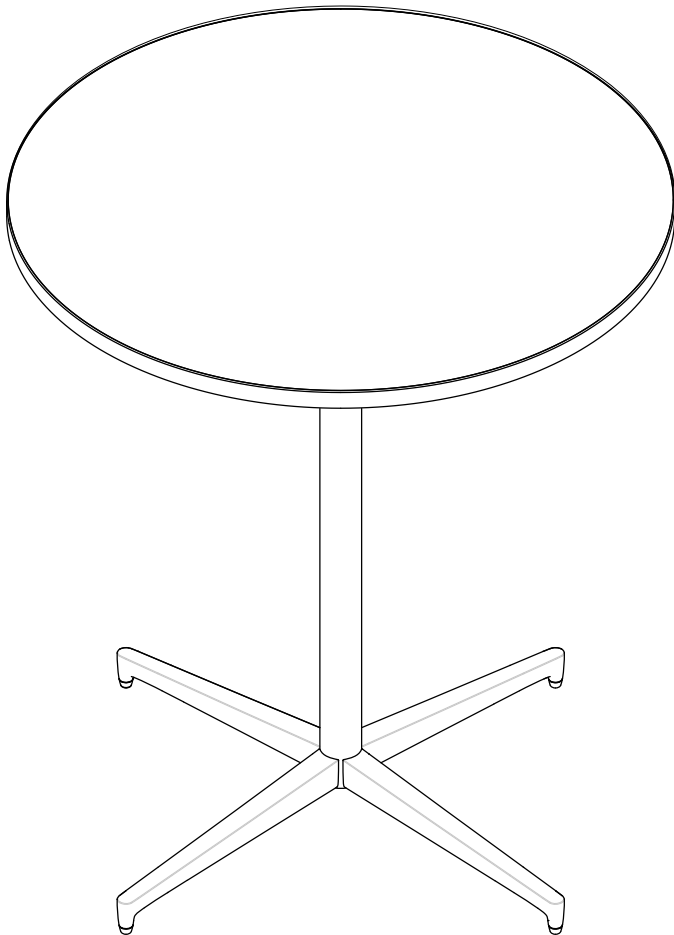


Hex Shank to Square Drive Adapter

Step 6: Unscrew the glides to level as needed and turn the table upright with the help of another person.



Step 7: Turn the table upright with the help of another person.



Parallon

POWER READY

CAFÉ AND OCCASIONAL X-BASE TABLE
ASSEMBLY INSTRUCTIONS

Everything to the table.

When you want cohesion in spaces large, small, shared or separate, there's Parallon. It's a single collection with a singular look, offering an array of choices for a variety of environments—and all the features to fit.

Ensure design is never a distraction in the places where everyone needs to focus. Our Parallon line of cafe and occasional tables provides a unified and streamlined look from room to room.



Read the entire instruction manual before you start installation and assembly. If you have any questions regarding any of the instructions or warnings, please contact your local distributor for assistance.

To report any issues with this product, contact our customer experience team at: (888) 274-8664 or sitonit@exemplis.com.



CAUTION

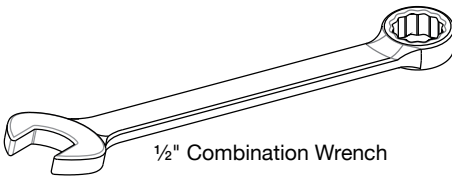
Failure to follow instructions could result in product failure or potential injury.

Do not apply sudden weight to table.

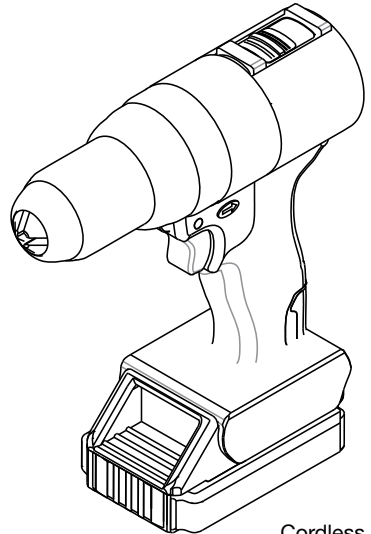
Do not exceed 200 lb static load weight capacity.

Recommended Tools

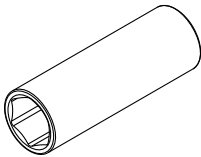
- Cordless Drill/Driver
- #3 Phillips Bit
- 5/32" Hex Bit
- 1/2" Combination Wrench
- 1/2" Deep Well Hex Socket, 1/4" Drive
- 3/8" Hex Socket, 1/4" Drive
- Hex Shank to 1/4" Square Drive Adapter
- Universal Joint, 1/4" Drive



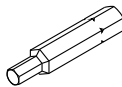
1/2" Combination Wrench



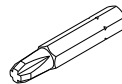
Cordless Drill/Driver



1/2" Deep Well Hex Socket, 1/4" Drive



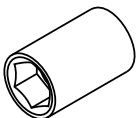
5/32" Hex Bit



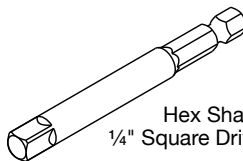
#3 Phillips Bit



Universal Joint
1/4" Drive



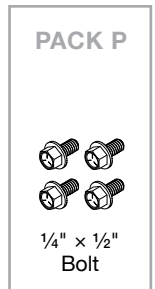
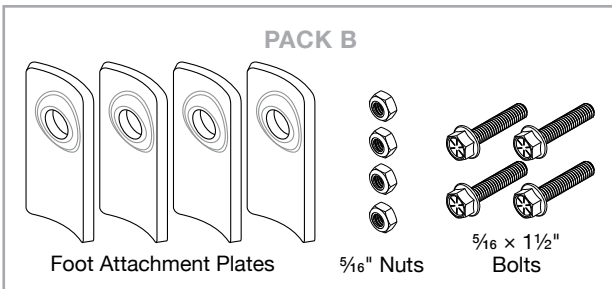
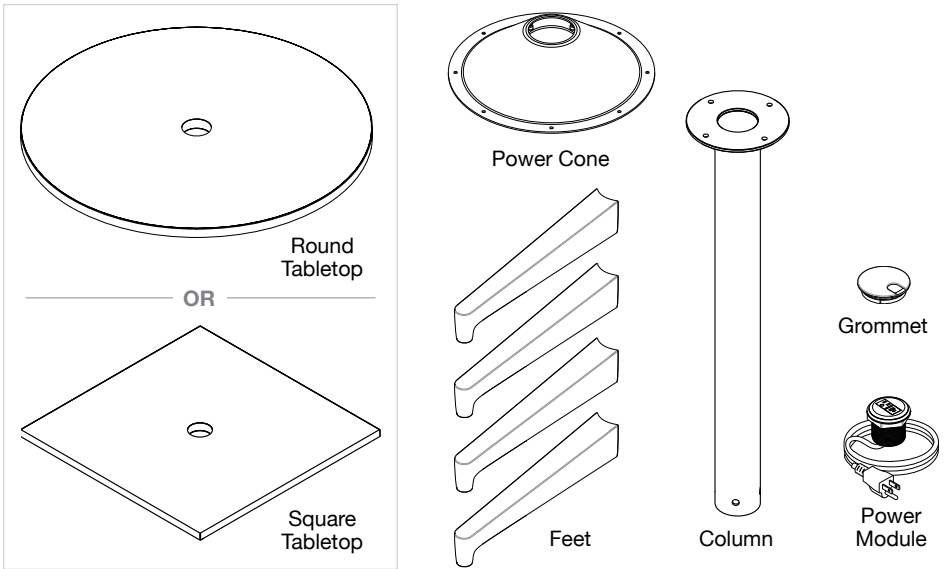
3/8" Hex Socket,
1/4" Drive



Hex Shank to
1/4" Square Drive Adapter

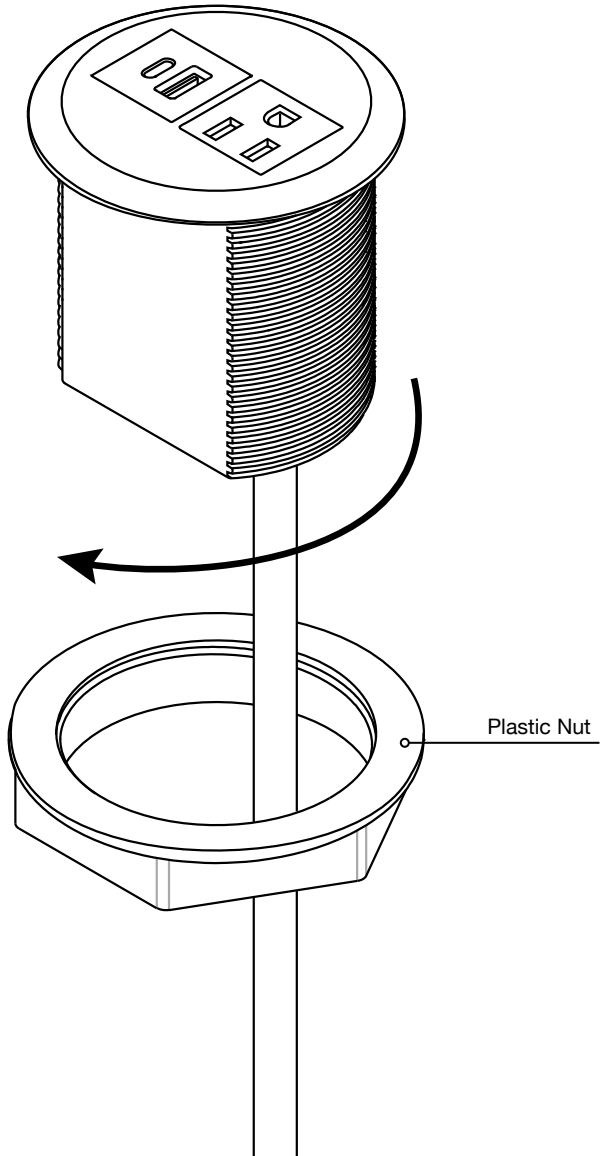
Parts

- Tabletop (1, round or square)
- Grommet (1)
- Column (1)
- Foot (4)
- **Pack A:**
 - #12 x 1" Screw (8)
- **Pack B:**
 - 5/16" x 1 1/2" Bolt (4)
 - 5/16" Nut (4)
 - Foot Attachment Plate (4)
- **Pack C:**
 - 1/4" x 1" Screw (4, unused)
- **Pack P:**
 - 1/4" x 1/2" Bolt (4)

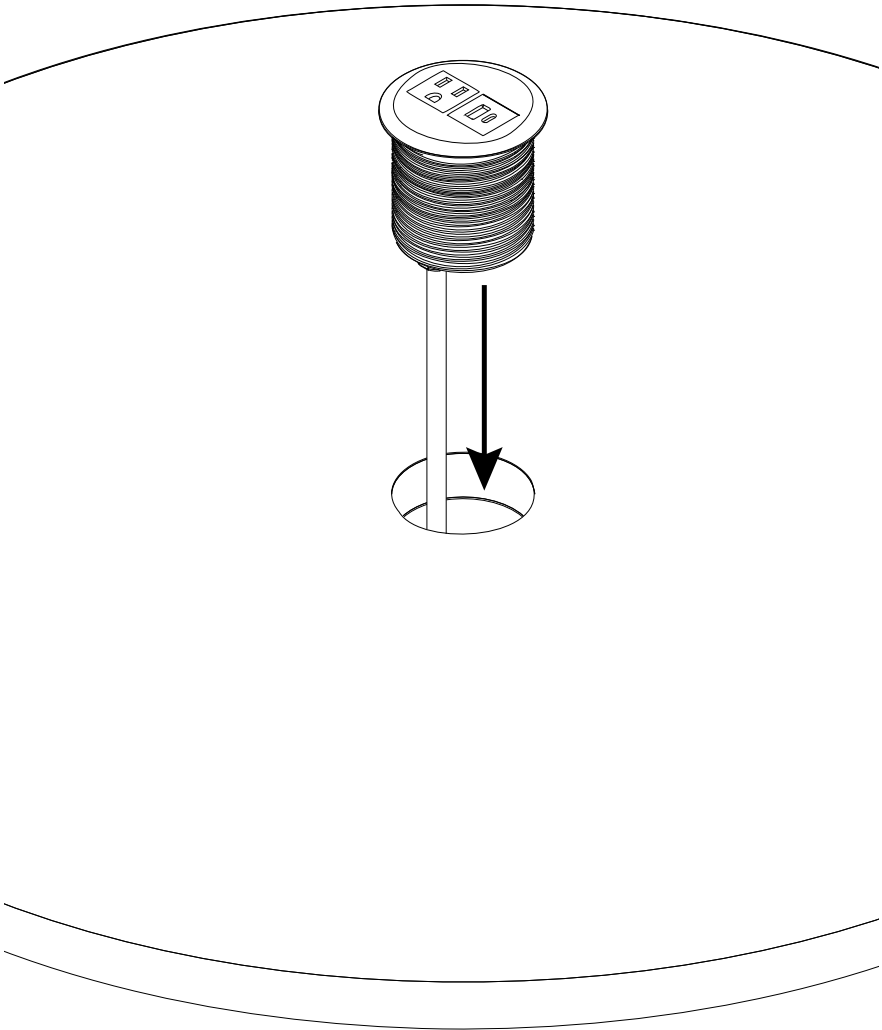


Step 1: Remove the plastic nut from the power module.

Note: If power module was not purchased, go to **Step 4** on **page 8**.

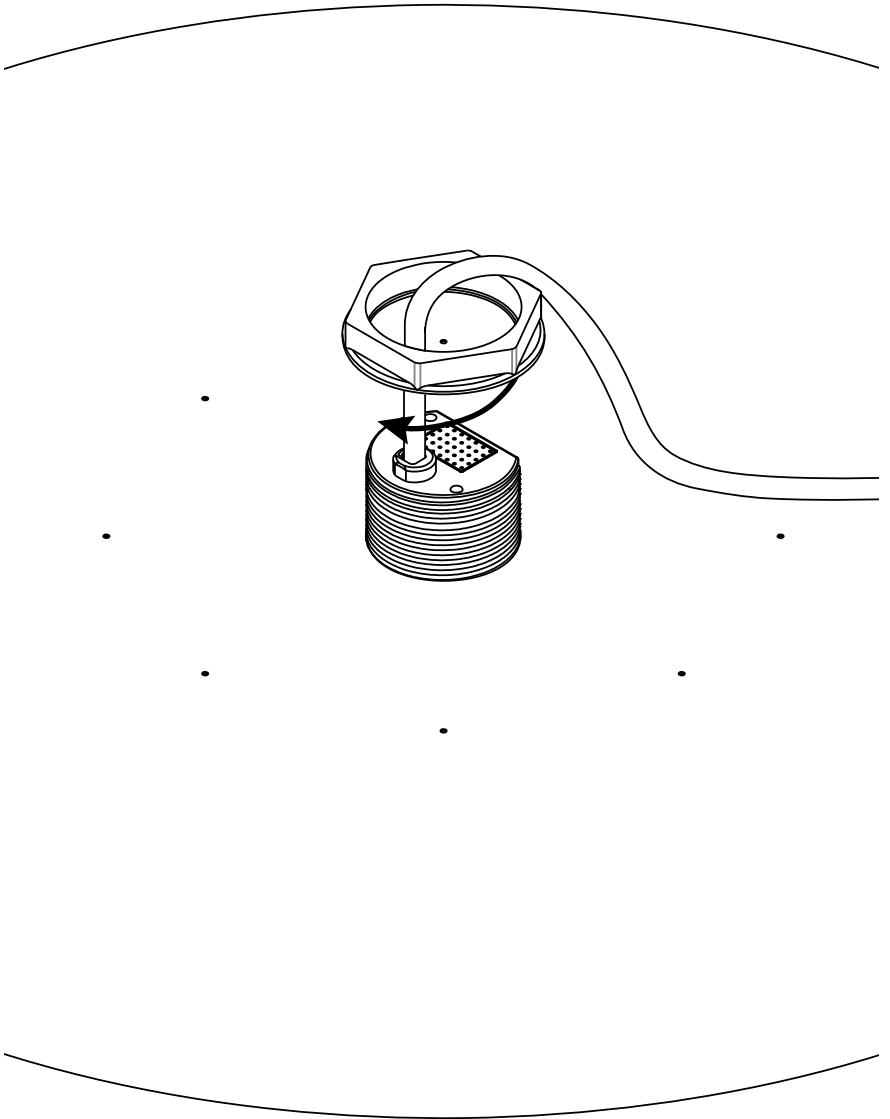


Step 2: Insert the power module in through the top-side of the tabletop.

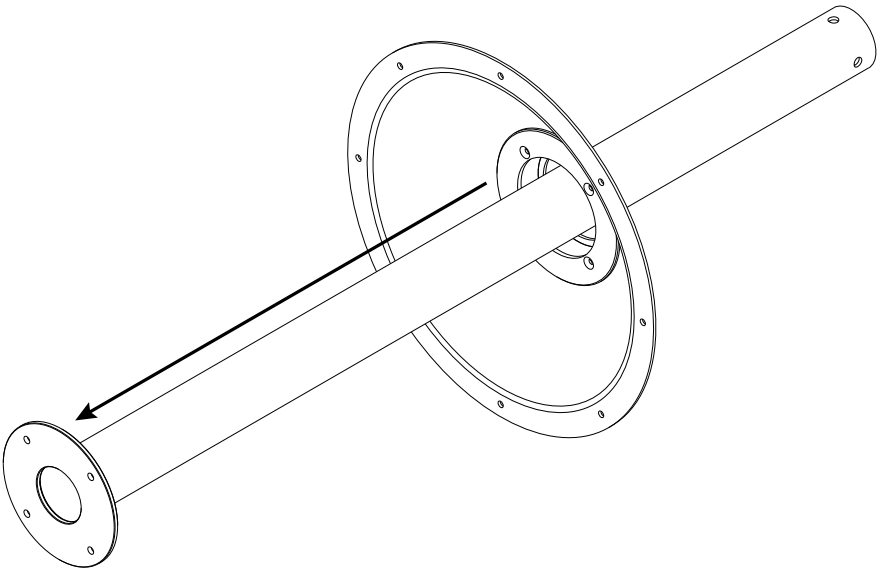


Step 3: Flip the tabletop over and tighten the plastic back onto the power module.

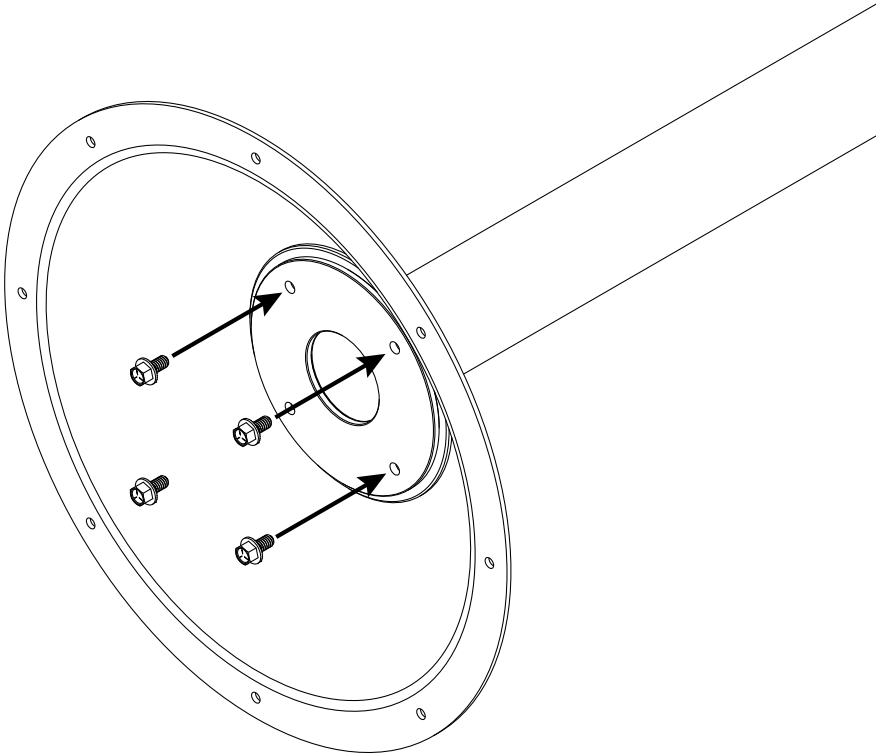
Note: Place the tabletop on top of packaging to prevent damage to the power module.



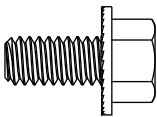
Step 4: Slide the power cone onto the column.



Step 5: Attach the power cone to the column.



1:1 HARDWARE

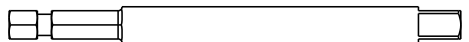


1/4" x 1/2" Bolt (Pack P)

TOOLS



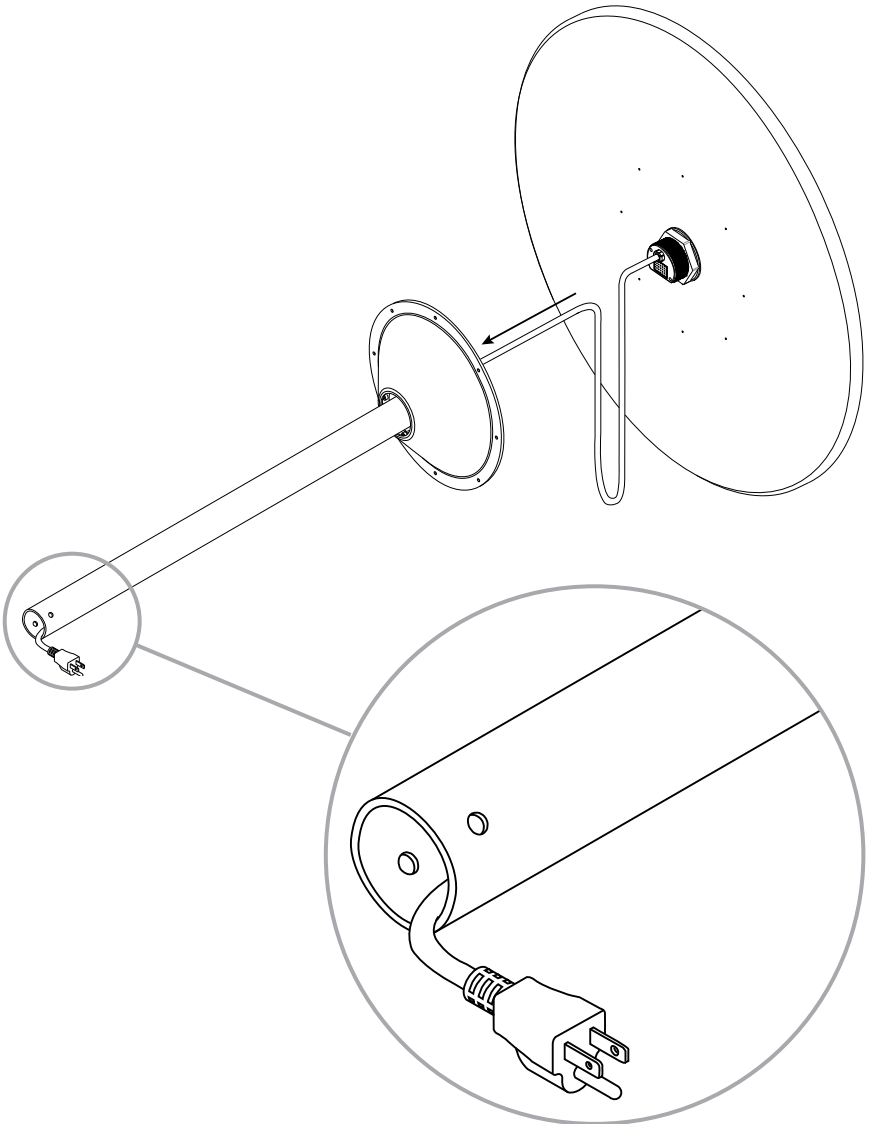
3/8" Hex Socket, 1/4" Drive



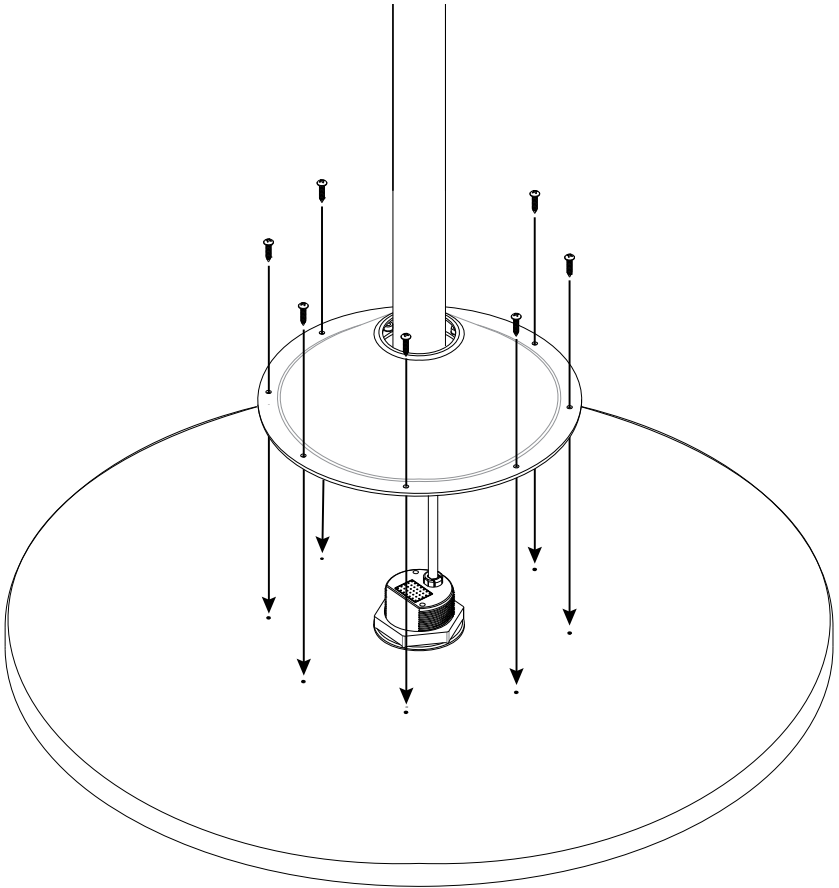
Hex Shank to Square Drive Adapter

Step 6: Feed the power cord through the hole in the power cone and route it through the opening at the bottom of the column.

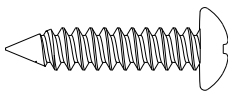
Note: If power module was not purchased, skip this step.



Step 7: Attach the power cone to the underside of the tabletop.

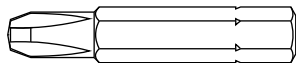


1:1 HARDWARE



#12 x 1" Screw (Pack A)

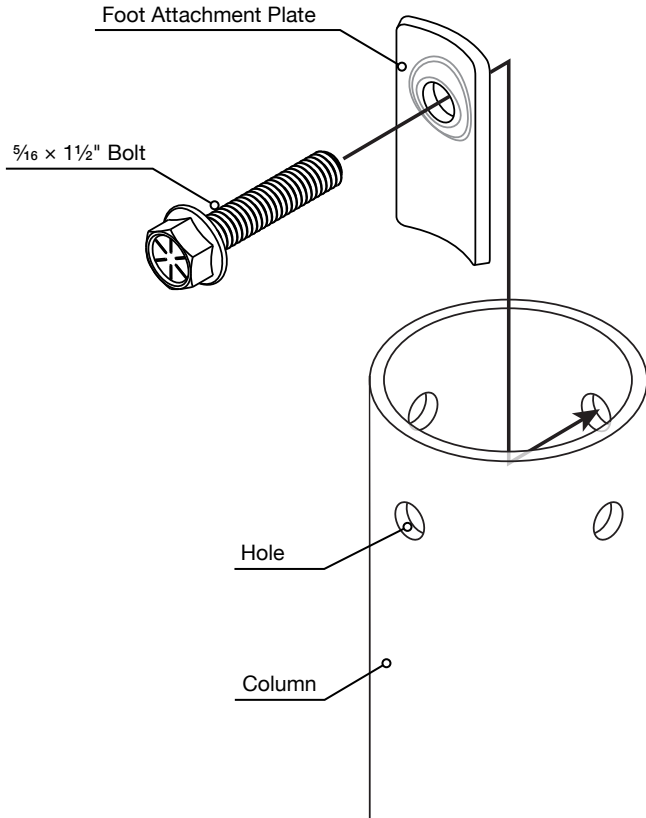
TOOLS



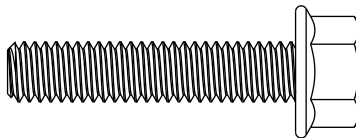
#3 Phillips Bit

Step 8: Slide the bolt through the foot attachment plate and column.

Repeat this step with each foot.



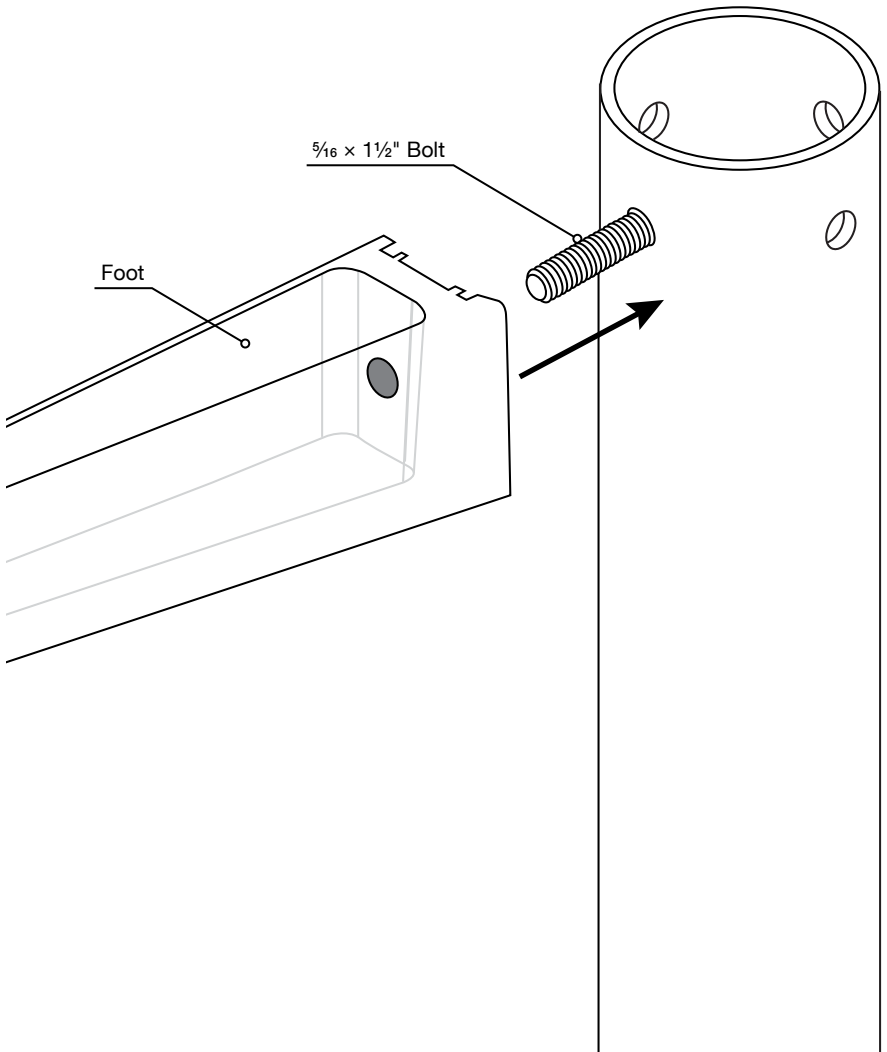
1:1 HARDWARE



$\frac{5}{16} \times 1\frac{1}{2}$ " Bolt (Pack B)

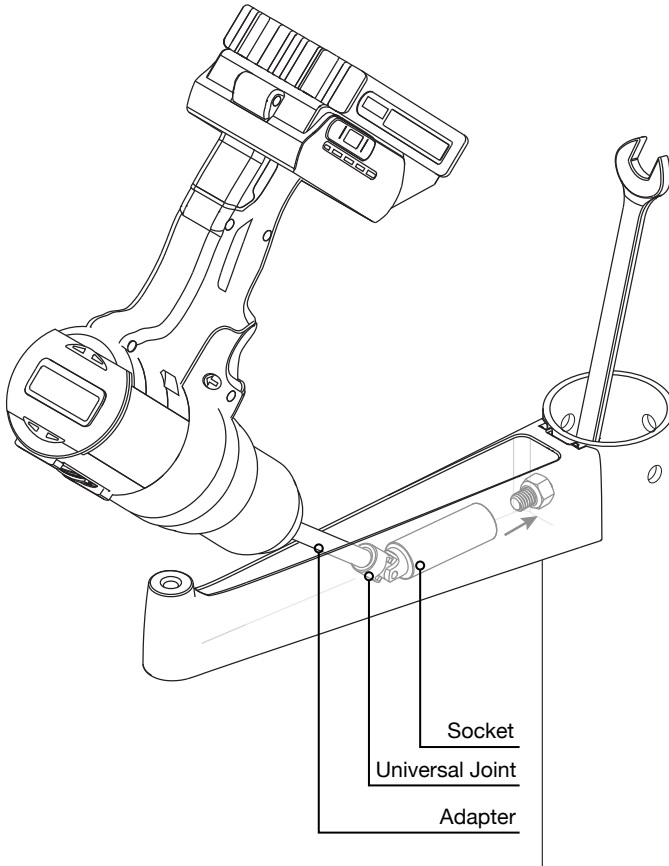
Step 9: Slide the foot over the bolt.

Repeat this step with each foot.

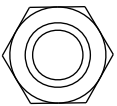


Step 10: Hold the bolt in place and tighten the nut.

Repeat this step with each foot.



1:1 HARDWARE

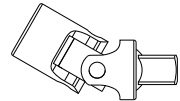


5/16 Nut (Pack B)

TOOLS



1/2" Deep Well Hex Socket,
1/4" Drive

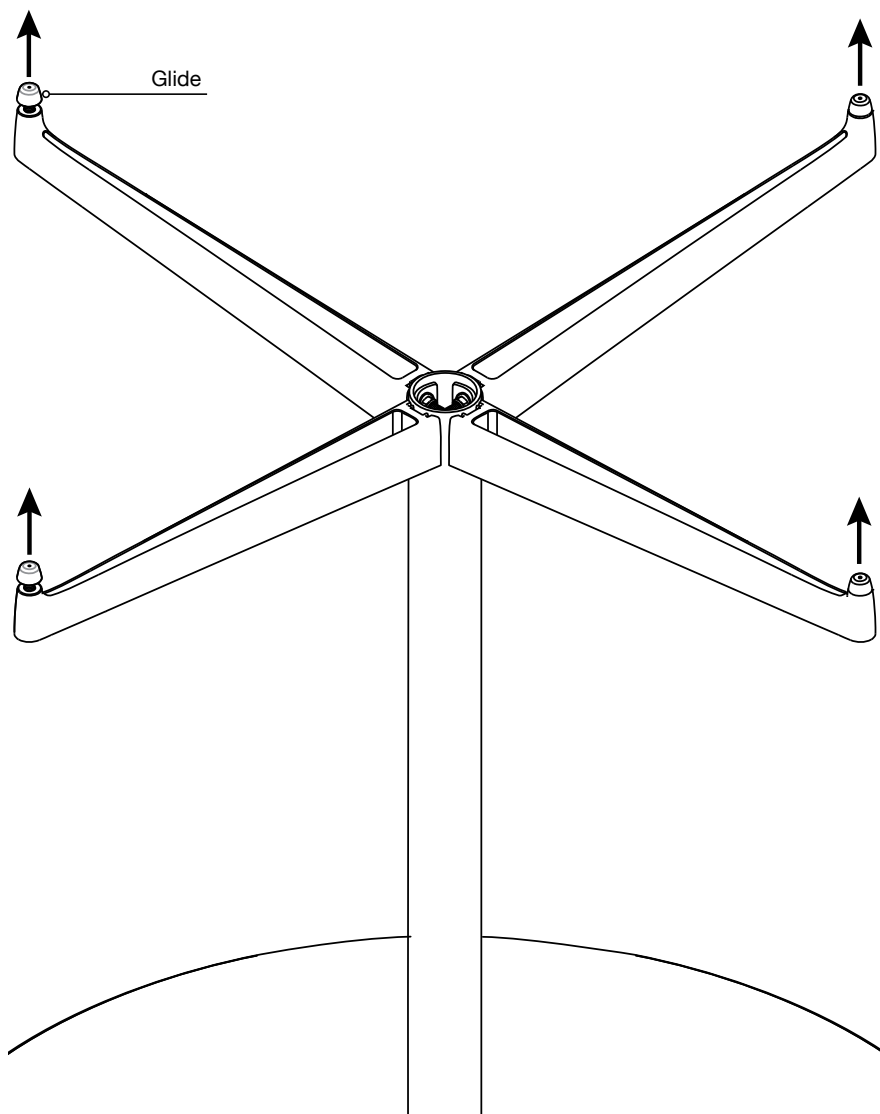


Universal Joint



Hex Shank to Square Drive Adapter

Step 11: Unscrew the glides to level as needed and turn the table upright with the help of another person.



Step 12: Turn the table upright with the help of another person and if applicable, press the optional grommet into the cutouts.

