

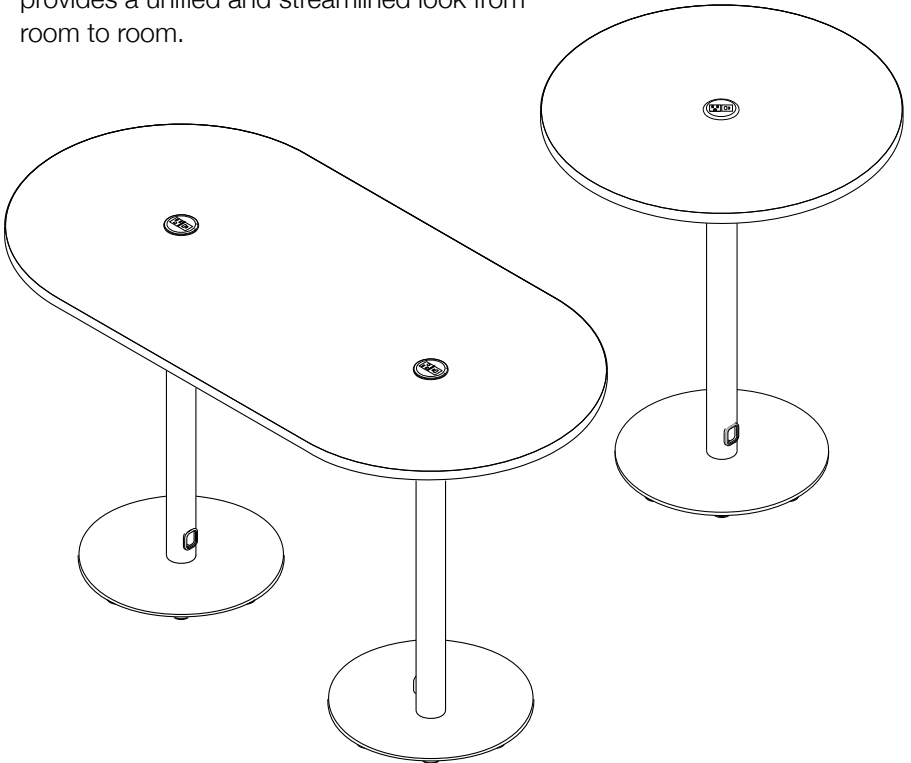
# Parallon

## POWER READY MEETING, CAFÉ AND OCCASIONAL DISC-BASE TABLE ASSEMBLY INSTRUCTIONS

### *Everything to the table.*

When you want cohesion in spaces large, small, shared or separate, there's Parallon. It's a single collection with a singular look, offering an array of choices for a variety of environments—and all the features to fit.

Ensure design is never a distraction in the places where everyone needs to focus. Our Parallon line of café and occasional tables provides a unified and streamlined look from room to room.



Read the entire instruction manual before you start installation and assembly. If you have any questions regarding any of the instructions or warnings, please contact your local distributor for assistance.

To report any issues with this product, contact our customer experience team at: (888) 274-8664 or [sitonit@exemplis.com](mailto:sitonit@exemplis.com).



## CAUTION

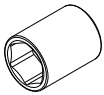
Failure to follow instructions could result in product failure or potential injury.

Do not apply sudden weight to table.

Do not exceed 200 lb static load weight capacity.

### Recommended Tools

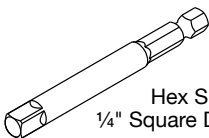
- Cordless Drill/Driver
- #3 Phillips Bit
- Hex Shank to 1/4" Square Drive Adapter
- 1/2" Hex Socket, 1/4" Drive
- 3/8" Hex Socket, 1/4" Drive



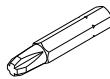
1/2" Hex Socket,  
1/4" Drive



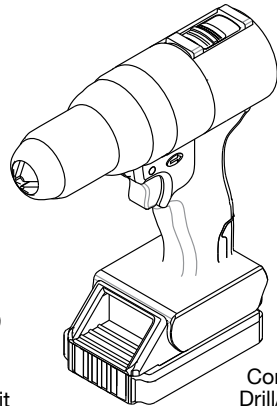
3/8" Hex Socket,  
1/4" Drive



Hex Shank to  
1/4" Square Drive Adapter



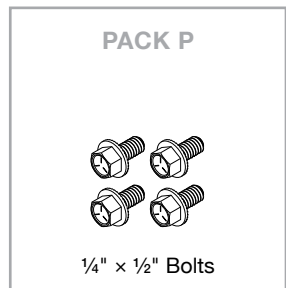
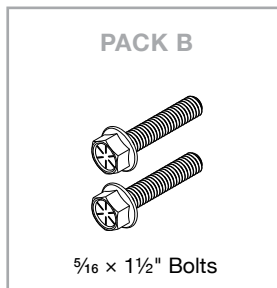
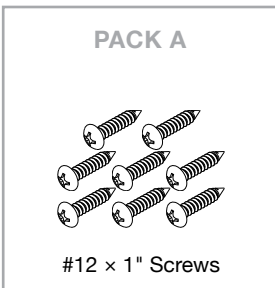
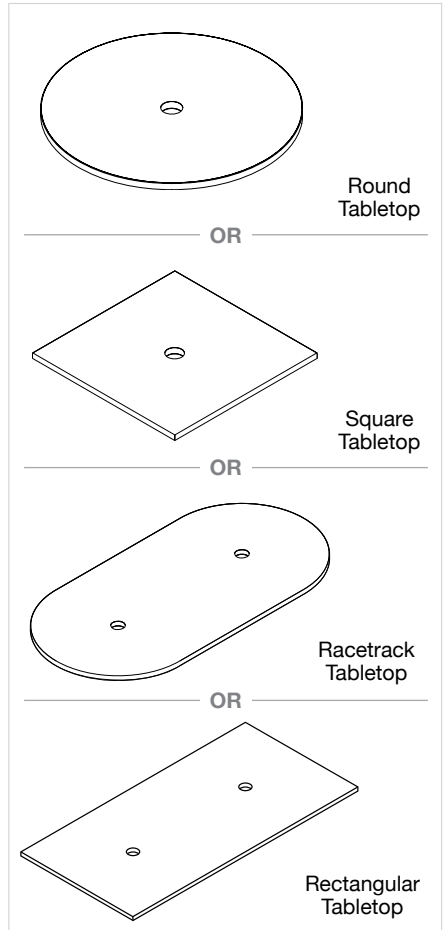
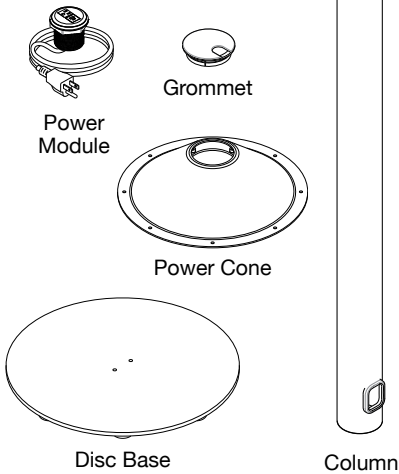
#3 Phillips Bit



Cordless  
Drill/Driver

**Parts** *(Double all component parts for racetrack and rectangular tabletops.)*

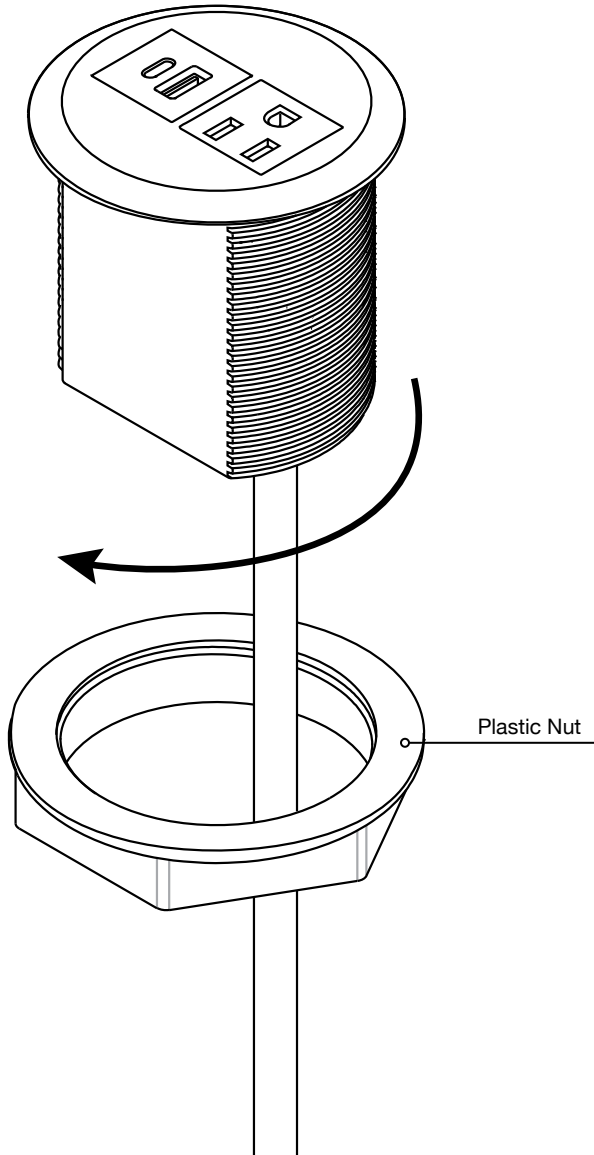
- Tabletop (1, round, square, rectangle or racetrack)
- Column (1)
- Disc Base (1)
- Power Cone (1)
- Power Module (1, optional)
- Grommet (1)
- **Pack A:**
  - #12 x 1" Screw (8)
- **Pack B:**
  - 5/16" x 1 1/2" Bolt (2)
- **Pack P:**
  - 1/4" x 1/2" Bolt (4)



**Step 1:** Remove the plastic nut from the power module.

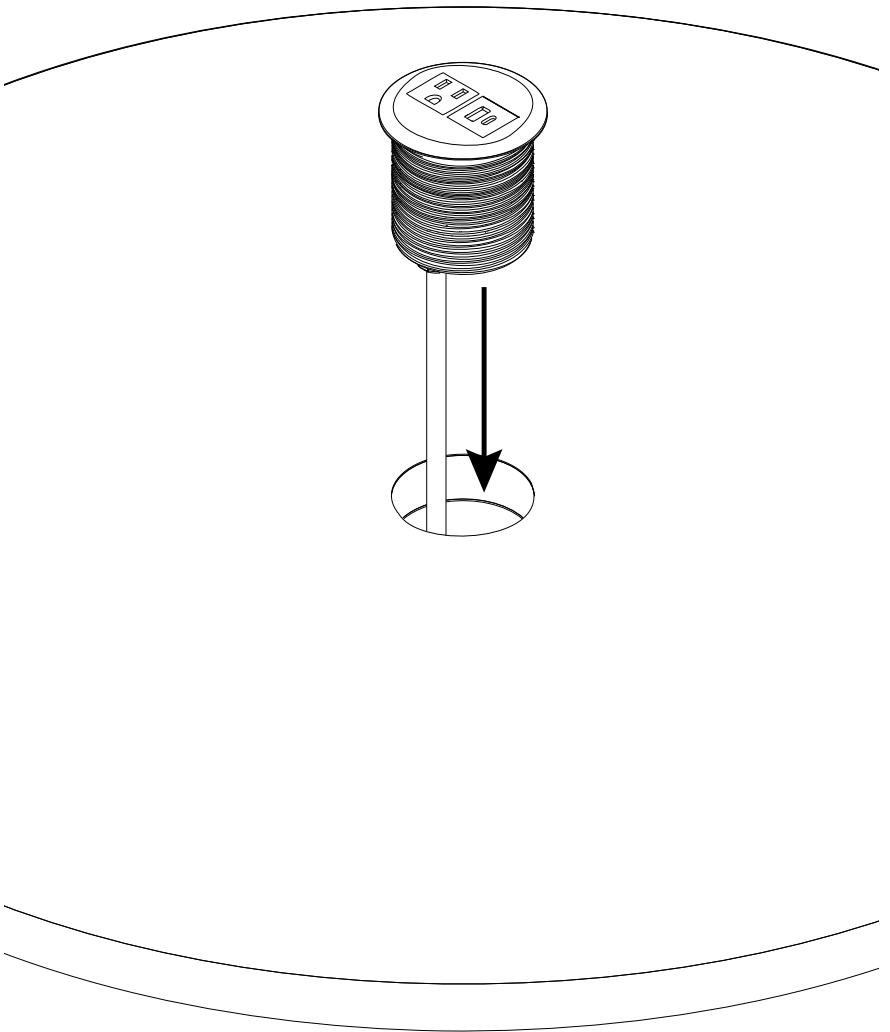
---

**Note:** If power module was not purchased, go to **Step 4** on page 7.  
Repeat all steps twice if installing the dual disc base table.



**Step 2:** Insert the power module in through the top-side of the tabletop.

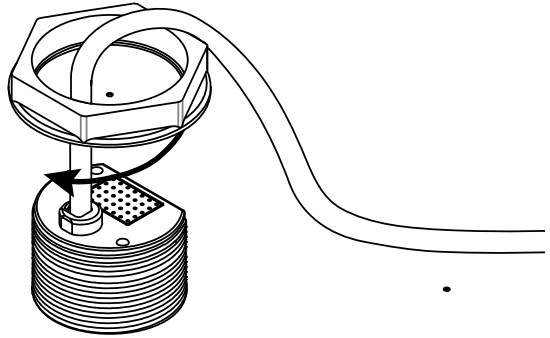
---



**Step 3:** Flip the tabletop over and tighten the plastic nut back onto the power module.

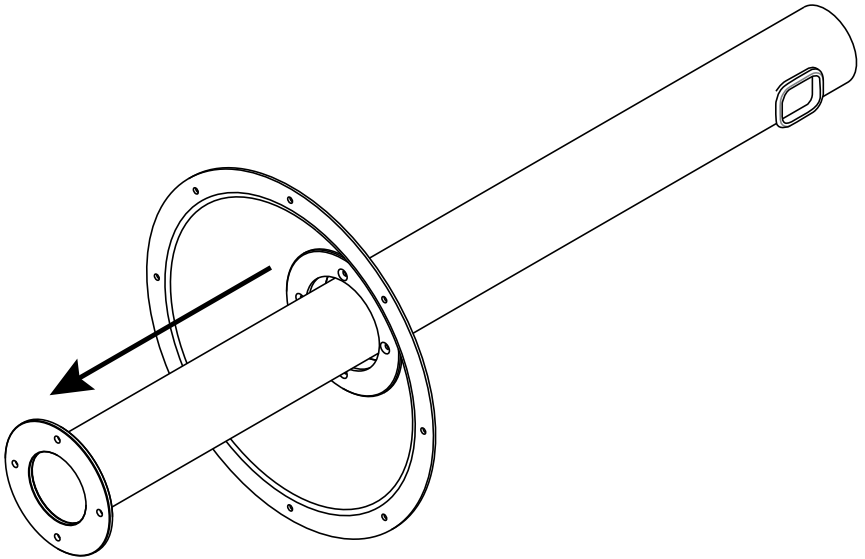
---

**Note:** Place the tabletop on top of packaging to prevent damage to the power module.



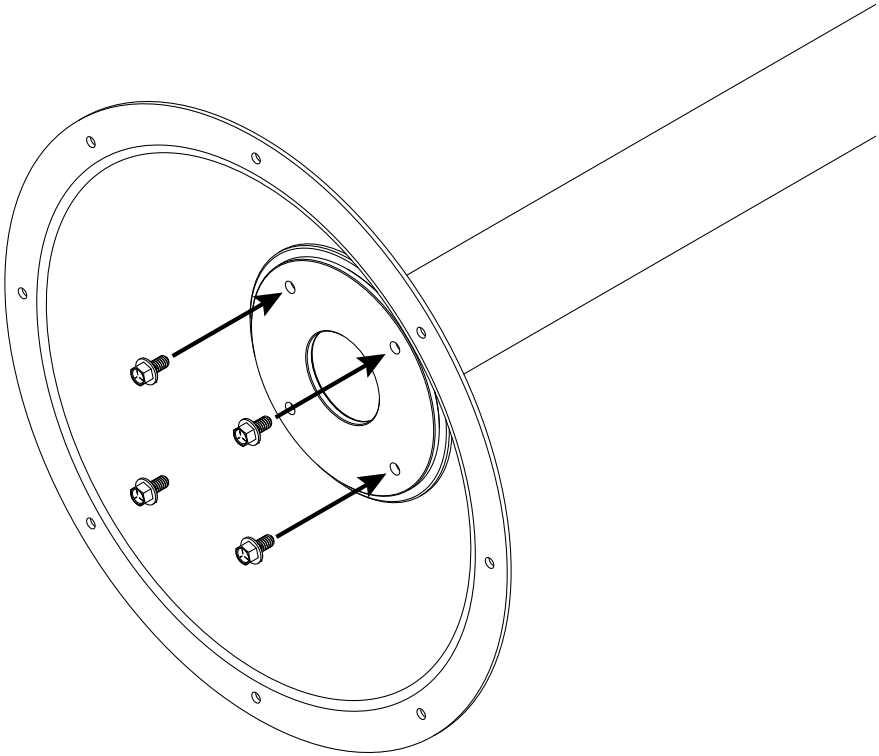
**Step 4:** Slide the power cone onto the column.

---

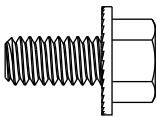


**Step 5:** Attach the power cone to the column.

---



## 1:1 HARDWARE



1/4" x 1/2" Bolt (Pack P)

## TOOLS



3/8" Hex Socket, 1/4 Drive

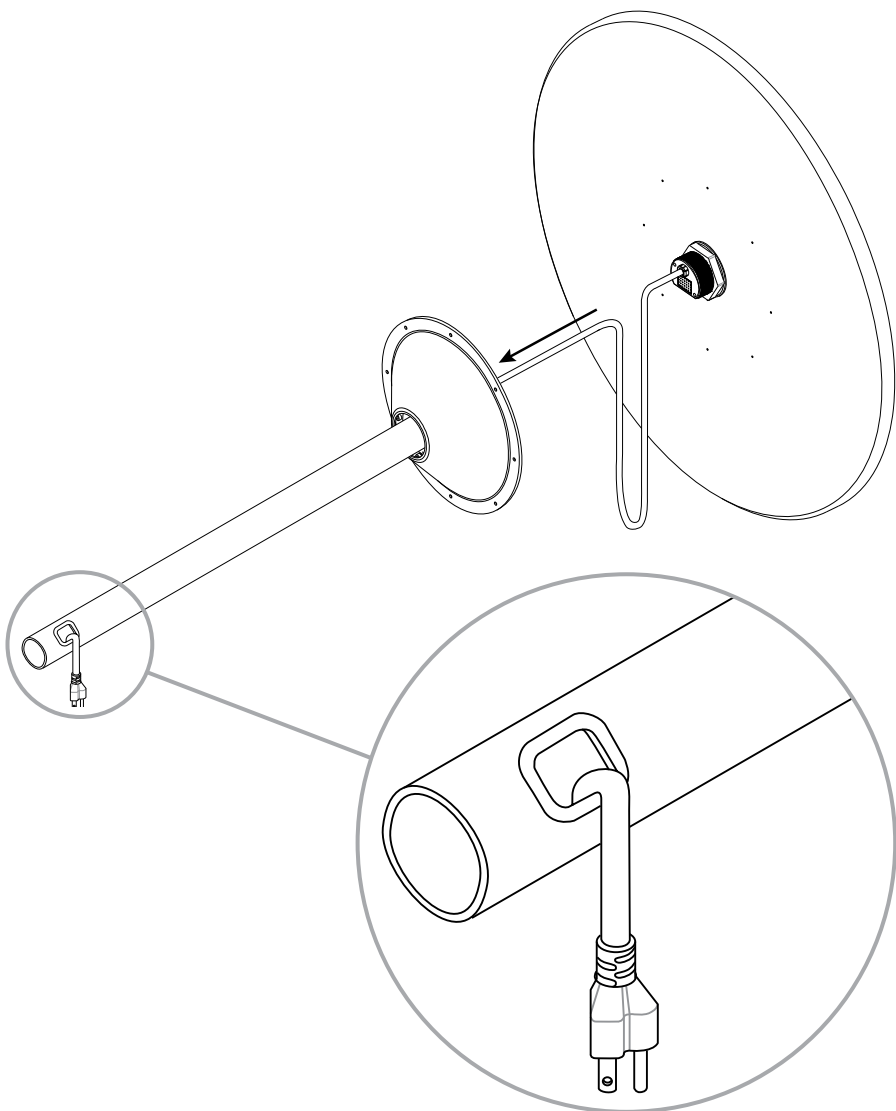


Hex Shank to Square Drive Adapter



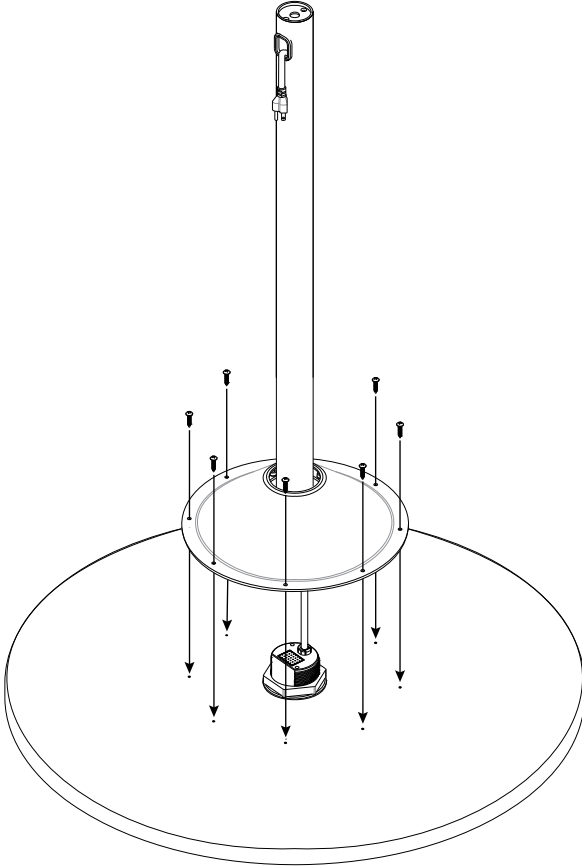
**Step 6:** Feed the power cord through the hole in the power cone and route it through the opening at the bottom of the column.

**Note:** If power module was not purchased, skip this step.

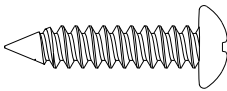


**Step 7:** Attach the power cone to the underside of the tabletop.

---

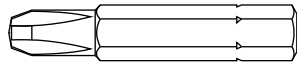


## 1:1 HARDWARE



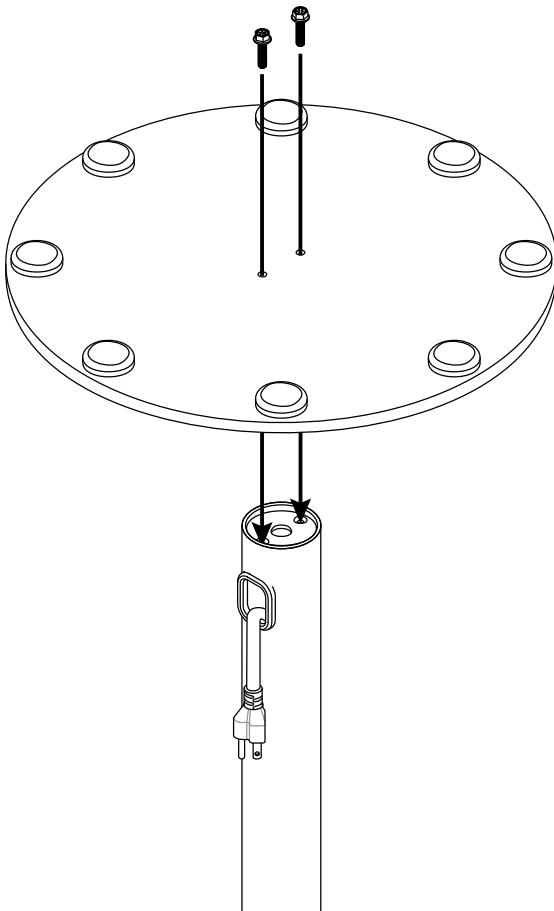
#12 x 1" Screw (Pack A)

## TOOLS

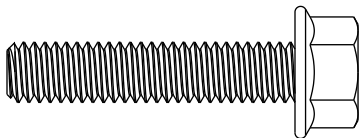


#3 Phillips Bit

**Step 8:** Attach the disc base to the columns.



**1:1 HARDWARE**



5/16 x 1 1/2" Bolt (Pack B)

**TOOLS**



1/2" Hex Socket, 1/4" Drive



Hex Shank to Square Drive Adapter

**Step 9:** Turn the table upright with the help of another person and if applicable, press the optional grommet into the cutout.

---

**Note:** Use packaging to prevent damage to the disc base when turning the table upright.

