

# Novo – Home Edition

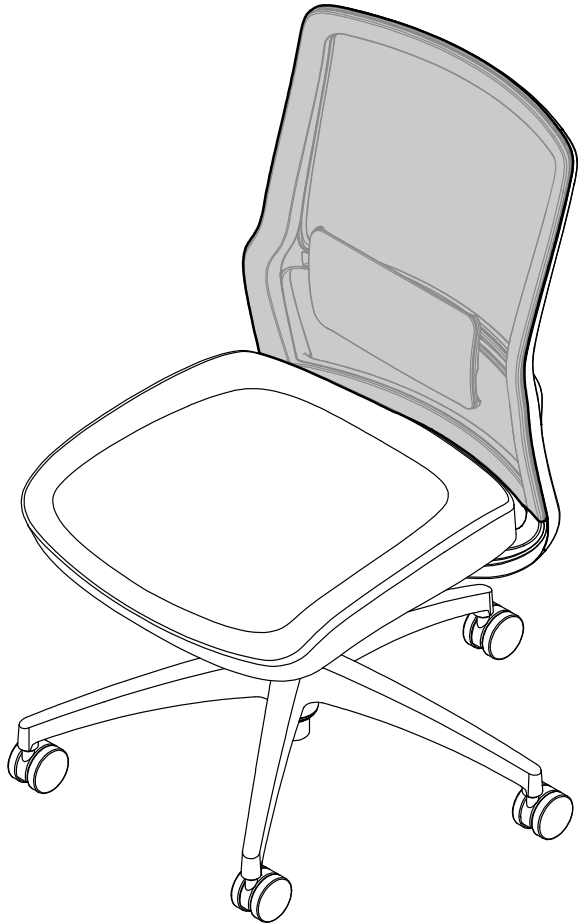
## ASSEMBLY INSTRUCTIONS

### *Novo for the win.*

Modern and made to be the best seat in your house. Bring the elevated design, features and comfort of Novo® from the corner office to your home office.



INSTALLATION VIDEO



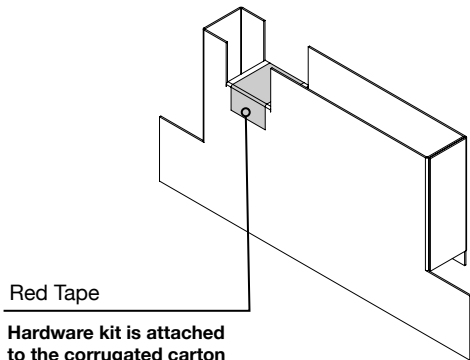
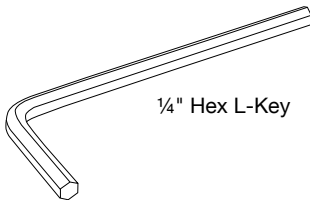
To report any issues with this product, contact our customer experience team at: (866) 764-4111 or [shopcx@sitonit.net](mailto:shopcx@sitonit.net).

## CAUTION

**Please read all assembly instructions before installing. Failure to follow instructions could result in product failure or potential injury.**

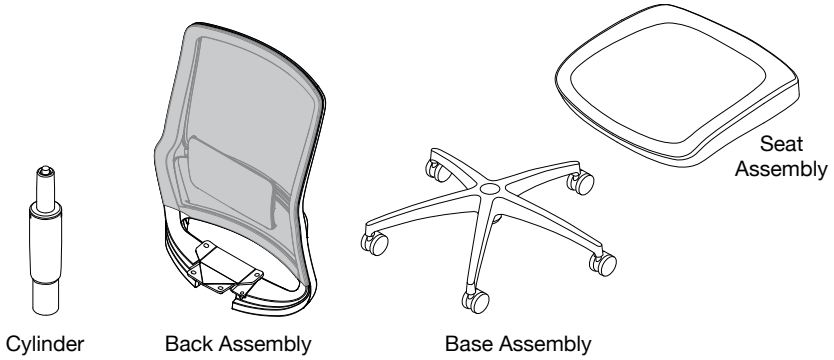
### Recommended Tools

- ¼" Hex L-Key



### Parts: Chair

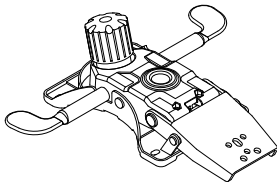
- Back Assembly (1)
- Seat Assembly (1)
- Base Assembly (1)
- Cylinder (1)



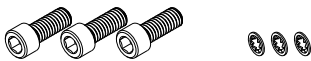
### Parts: Mechanism (will come attached to seat)

#### Standard Synchro Mechanism

- Hardware Pack:
  - $\frac{5}{16}$ "  $\times$   $\frac{3}{4}$ " Screw (4)
  - $\frac{5}{16}$ " Washer (4)



Standard Synchro Mechanism

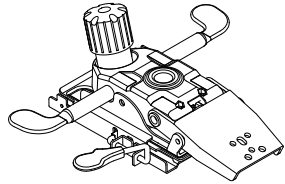


$\frac{1}{4} \times \frac{3}{4}$ " Screws

$\frac{5}{16}$ " Washers

#### Standard Synchro Mechanism With Seat-Depth Adjustment

- Hardware Pack:
  - $\frac{5}{16}$ "  $\times$   $\frac{3}{4}$ " Screw (4)
  - $\frac{5}{16}$ " Washer (4)



Standard Synchro Mechanism

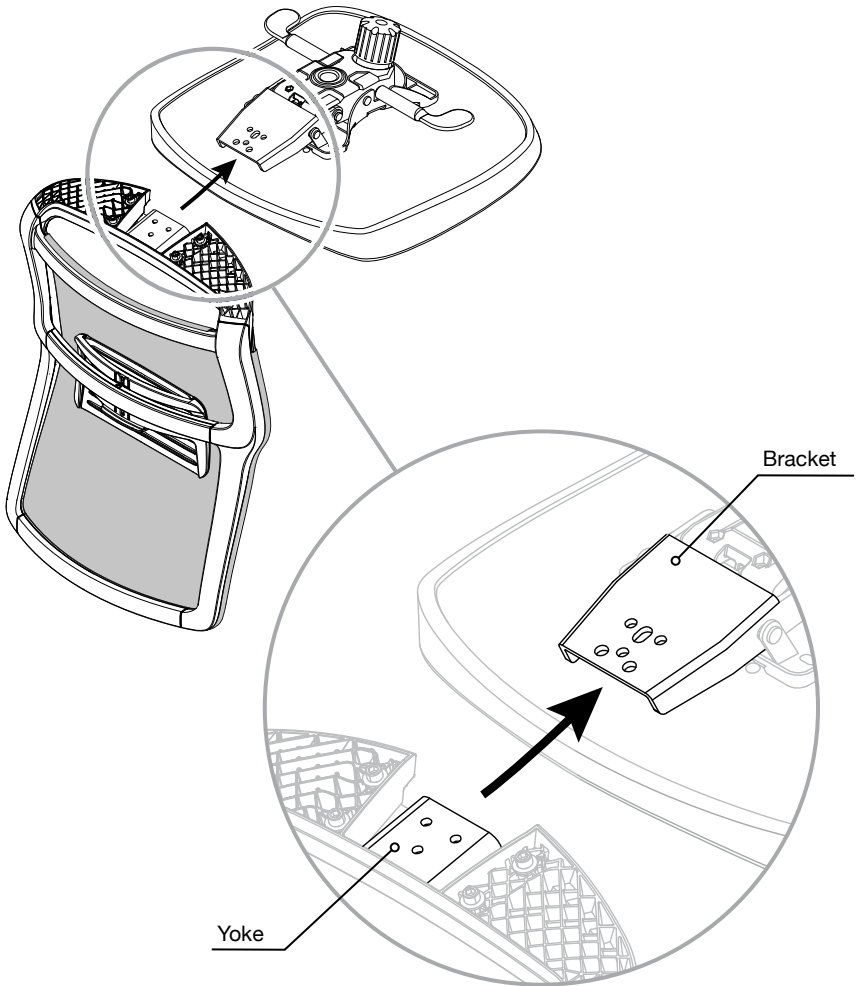


$\frac{1}{4} \times \frac{3}{4}$ " Screws

$\frac{5}{16}$ " Washers

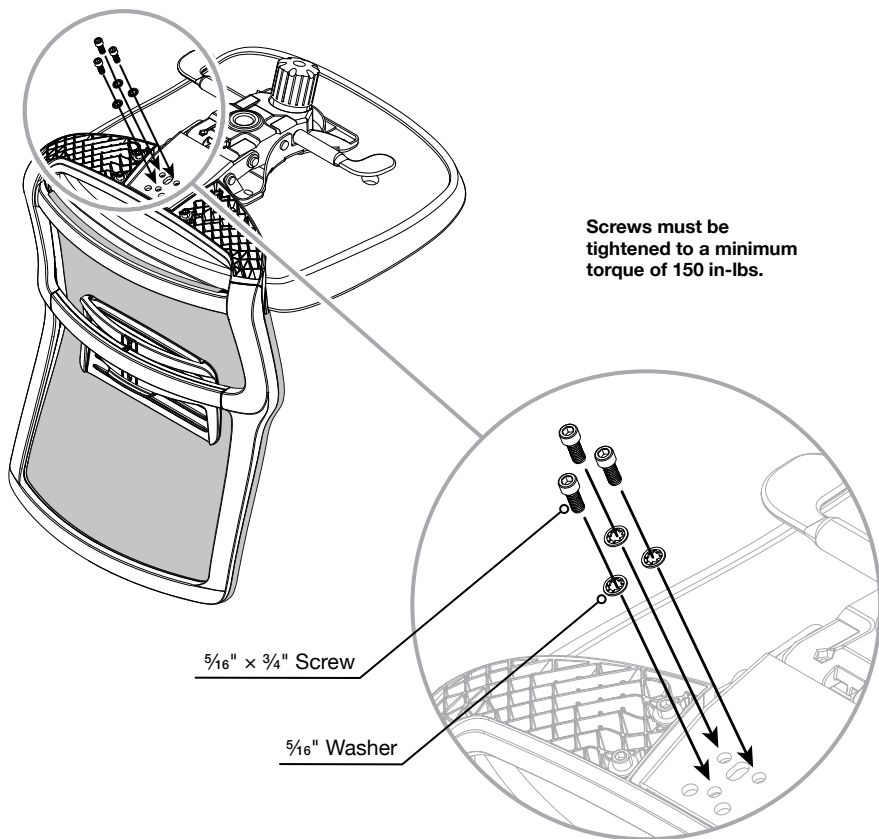
**Step 1:** Slide the yoke into the mechanism's bracket and align the hole patterns.

---

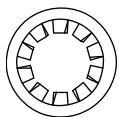


Seat assembly should be placed on a firm flat surface for assembly. You can use the box the chair shipped in or a table for this step

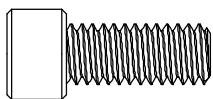
**Step 2:** Secure the back assembly to the seat assembly.



### 1:1 HARDWARE



$\frac{5}{16}$ " Washer



$\frac{5}{16}$ "  $\times$   $\frac{3}{4}$ " Screw

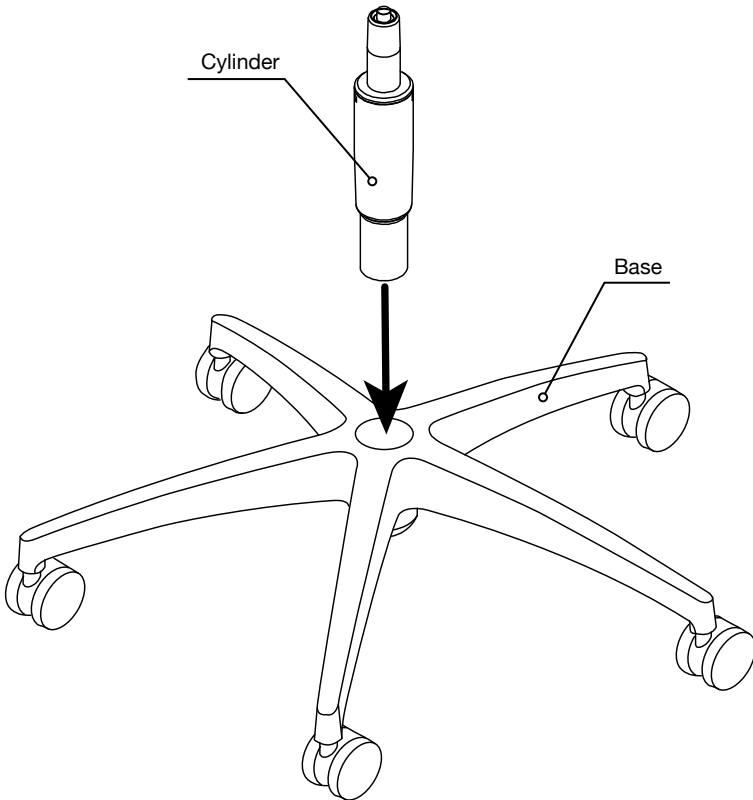
### TOOLS



$\frac{1}{4}$ " Hex L-Key (Provided)

**Step 3:** Push the cylinder into the center of the base.

---



**Step 4:** Align the mechanism with the cylinder and push until seated.

---

