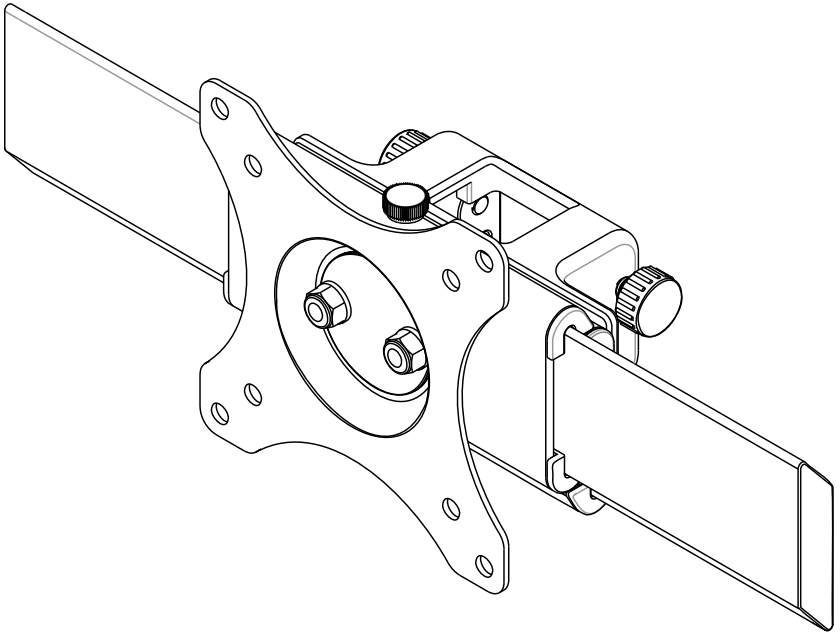


# Mobio

## MONITOR ARM SLIDERS

*Experience unmatched performance.*

When you're hard at work, you need a workspace that works hard for you. With a wide range of motion and ultra-reliability, Mobio is your go-to solution for a family of monitor arms to maximize your space. Its compact design and die cast aluminum construction mean greater stability, flexibility and unmatched performance.



---

Read the entire instruction manual before you start installation and assembly. If you have any questions regarding any of the instructions or warnings, please contact your local distributor for assistance.

To report any issues with this product, contact our customer experience team at: (888) 274-8664 or [sitonit@exemplis.com](mailto:sitonit@exemplis.com).



### **CAUTION**

---

**Use with products heavier than the rated weights indicated may result in instability causing possible injury.**

**Mounts must be attached as specified in the assembly instructions. Improper installation may result in damage or serious personal injury.**

**Safety gear and proper tools must be used. This product should only be installed by professionals.**

**Make sure that the supporting surface will safely support the combined weight of the equipment and all attached hardware components.**

**Use the mounting screws provided and DO NOT OVER TIGHTEN mounting screws.**

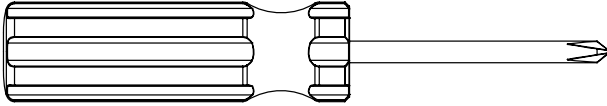
**This product contains small items that could be a choking hazard if swallowed. Keep these items away from children.**

**This product is intended for indoor use only. Using this product outdoors could lead to product failure and personal injury.**

### Recommended Tools

---

- #2 Phillips Screwdriver

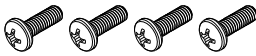
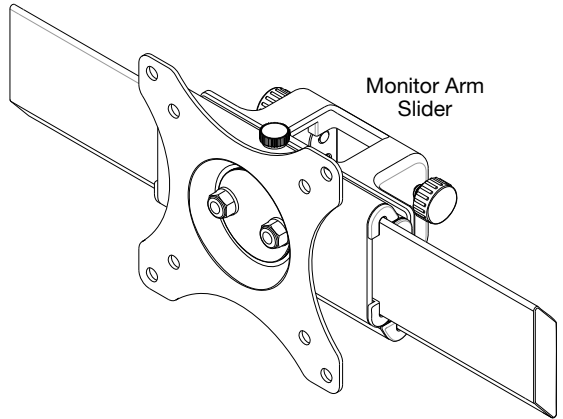


### Parts

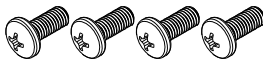
---

**IMPORTANT:** Ensure that you have received all parts according to the component checklist prior to installation. If any parts are missing or damaged, contact our customer experience for replacement.

- Monitor Arm Slider (1)
- M4 × 12 mm Screw (4)
- M5 × 12 mm Screw (4)
- Spacers (4)



M4 × 12 mm Screws



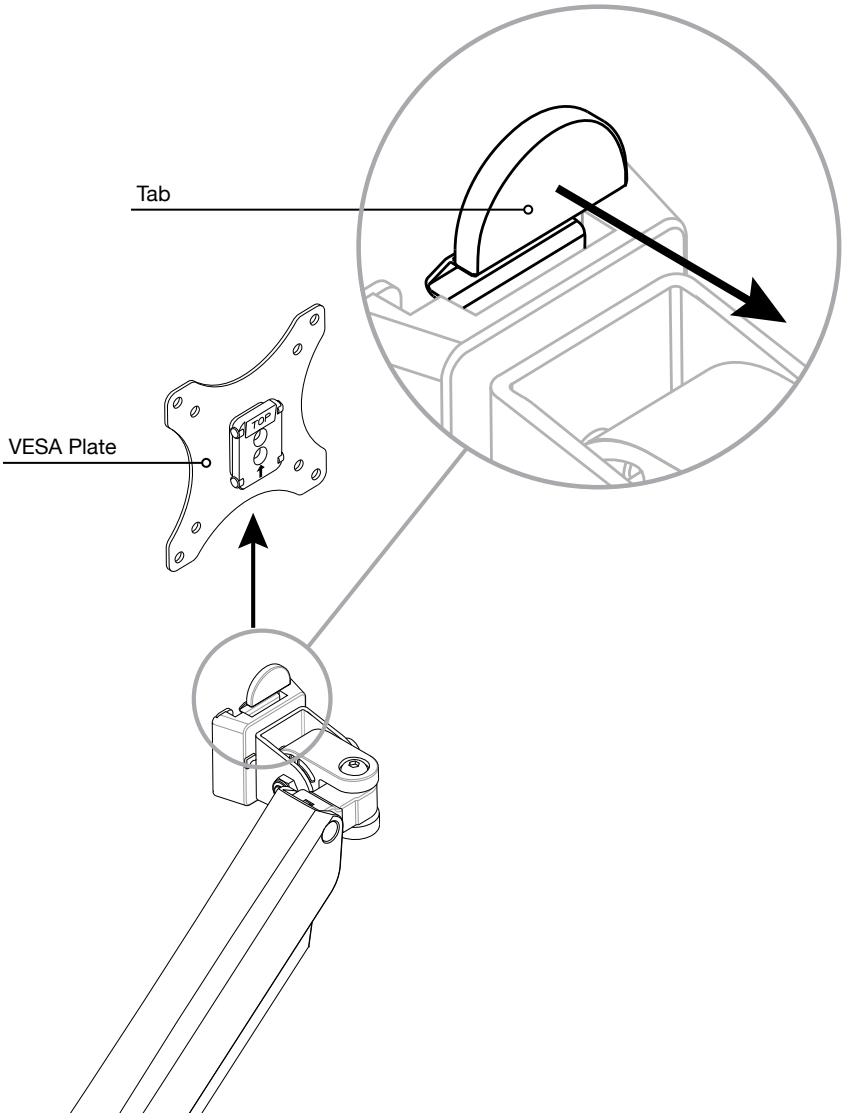
M5 × 12 mm Screws



Spacers

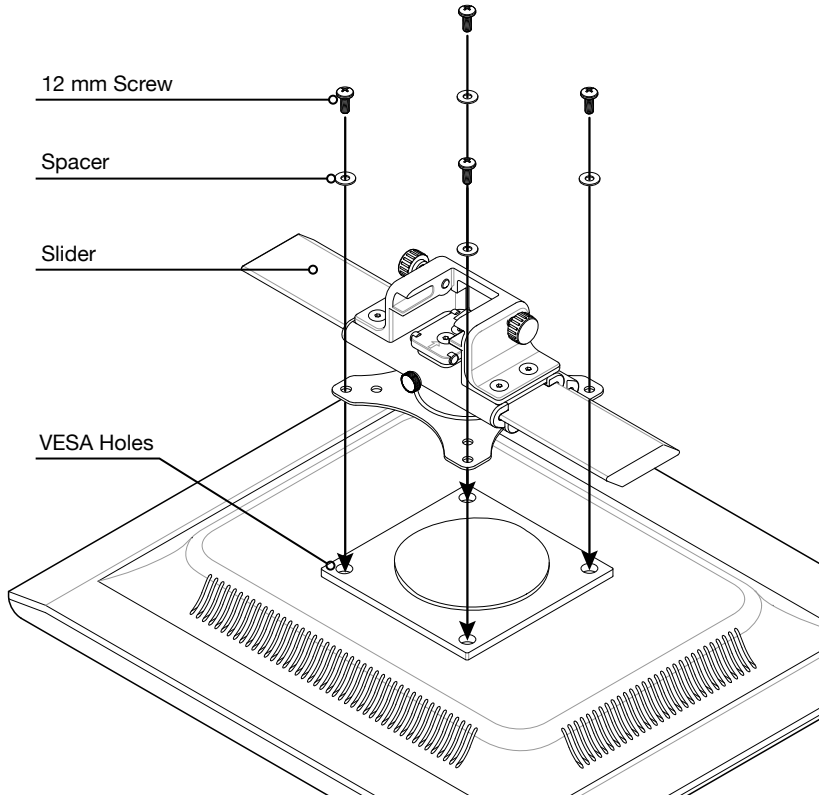
**Step 1:** Remove the existing VESA plate by pulling on the tab.

If the monitor arm and slider were purchased together, skip this step. The monitor arm's VESA plate will be packaged separately in the box.

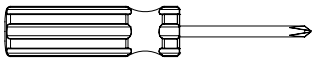


**Step 2:** Attach the slider to the back of the monitor with the screws that best fit the VESA holes.

Failure to select correct length of screw for the monitor, may cause damage to the monitor or cause it to dismount from the VESA plate.



### TOOLS



#2 Phillips Screwdriver

### 1:1 HARDWARE



Spacer

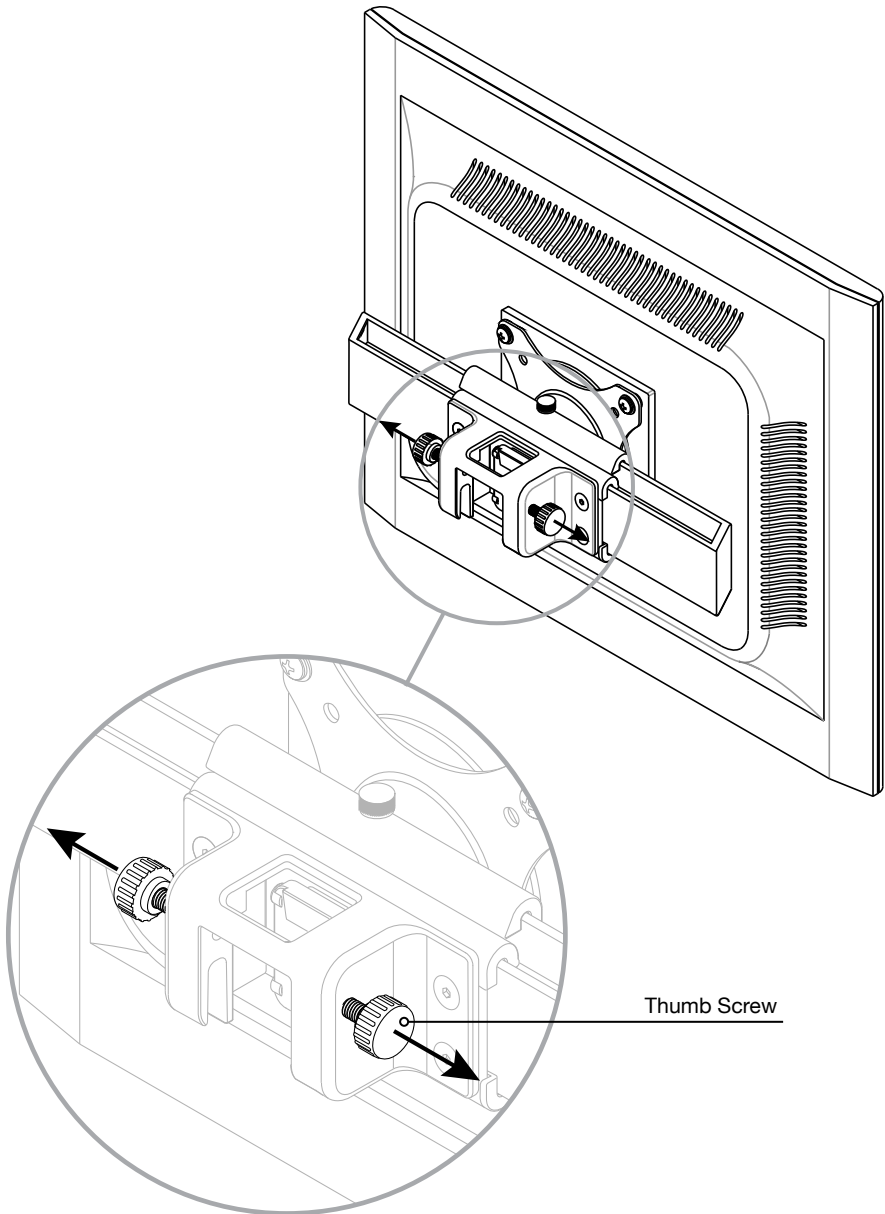


M4 × 12 mm  
Screws



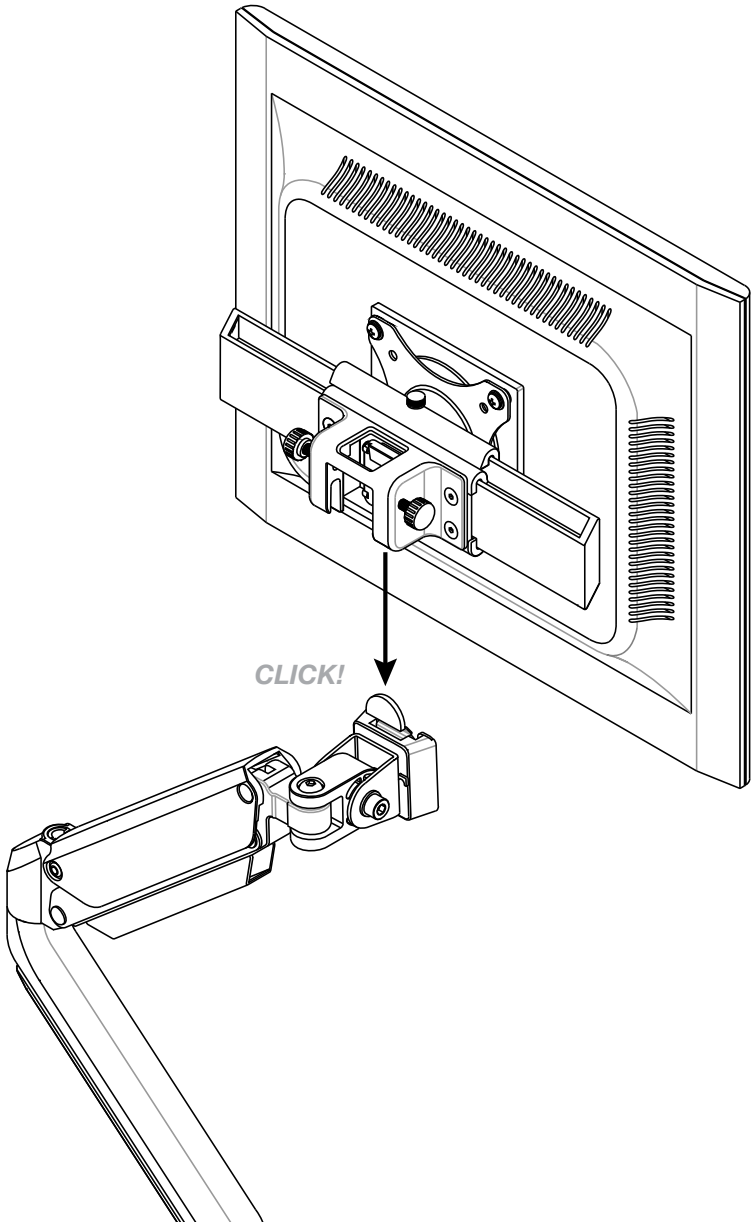
M5 × 12 mm  
Screws

**Step 3:** Partially loosen the thumb screws.

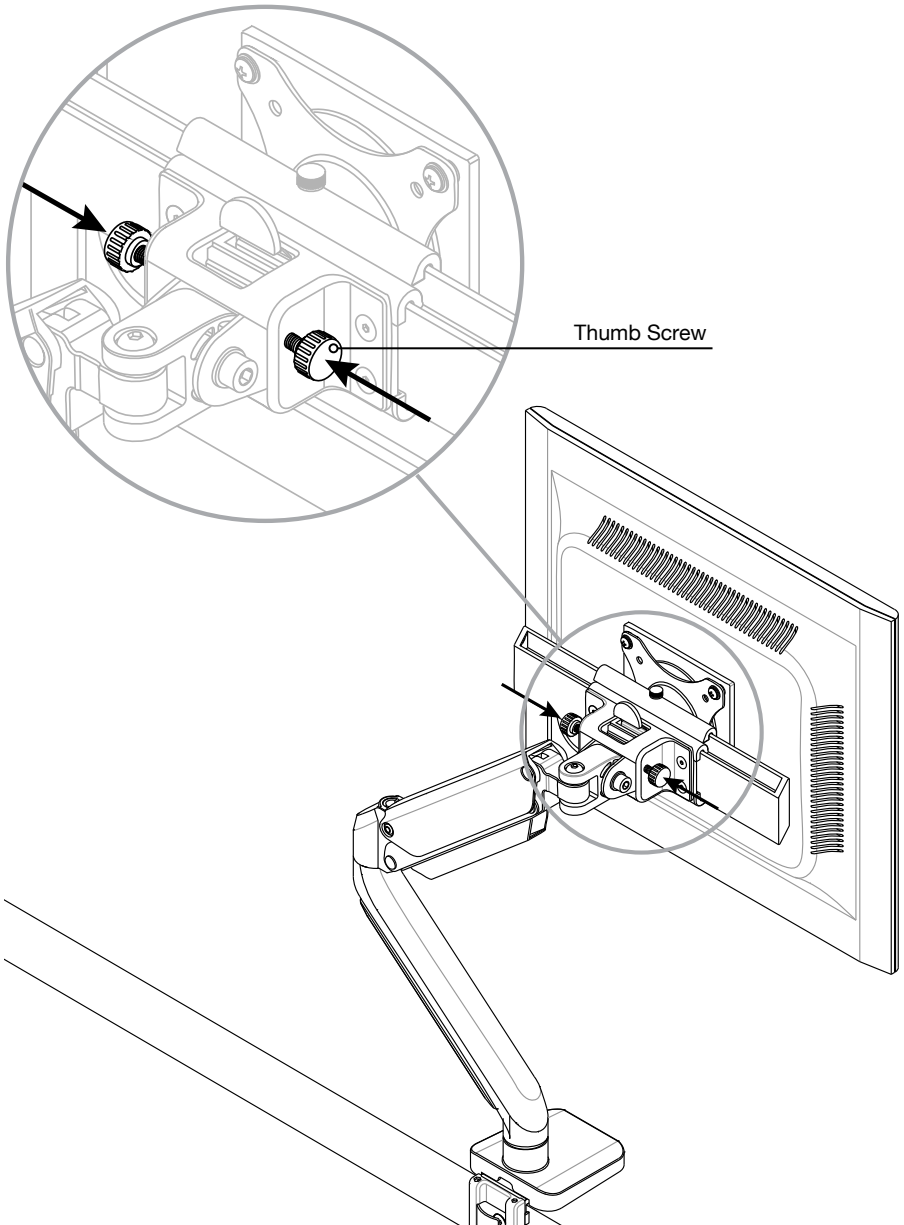


**Step 4:** Click the slider and monitor into place on the monitor arm.

---

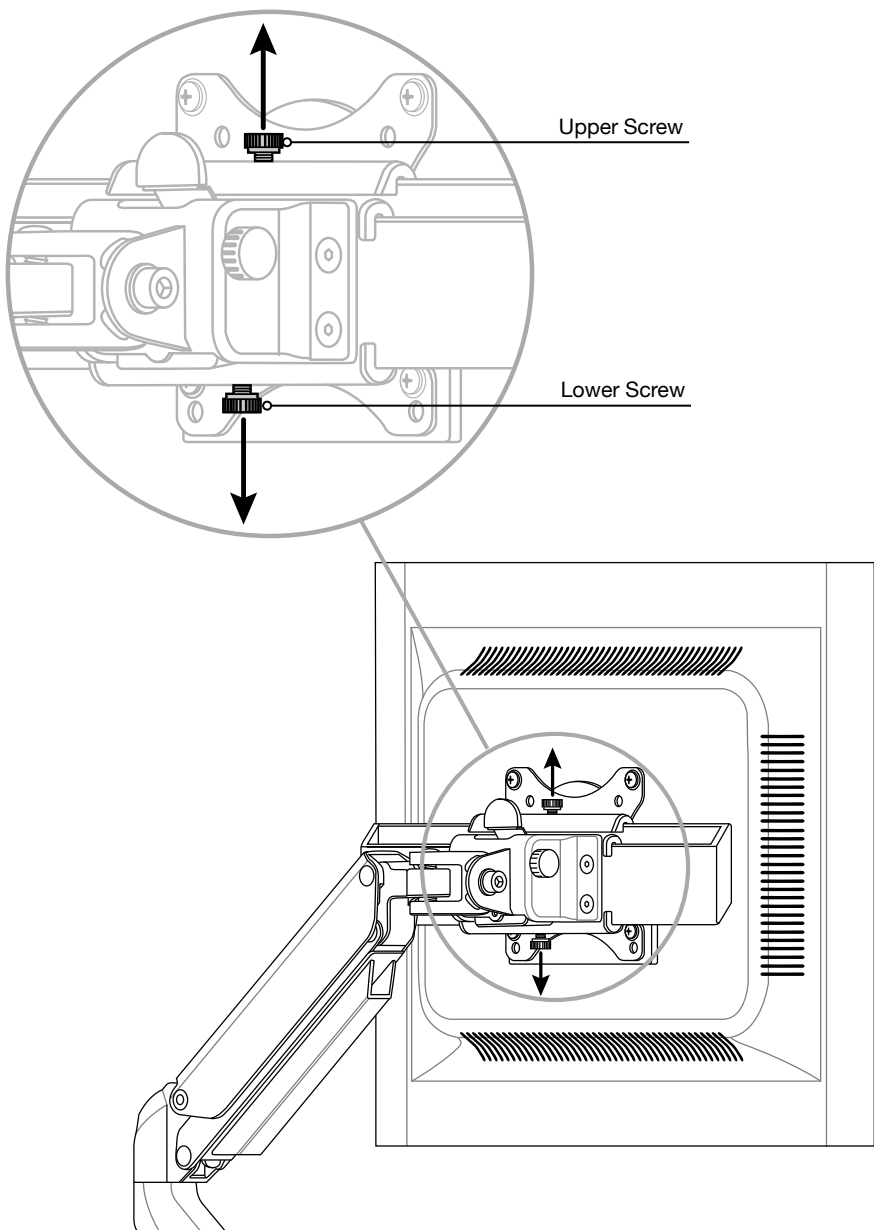


**Step 5:** Tighten the thumb screws.



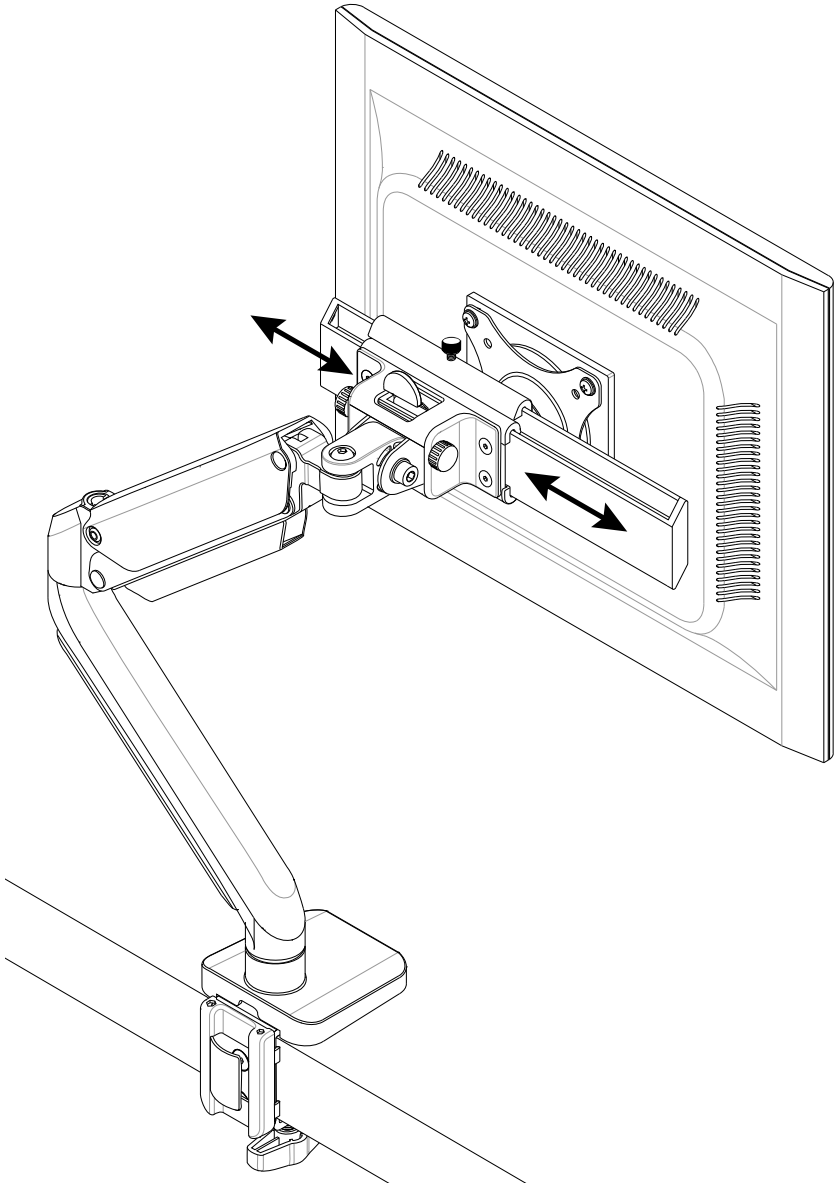


**Step 6:** Loosen the upper and lower screws.



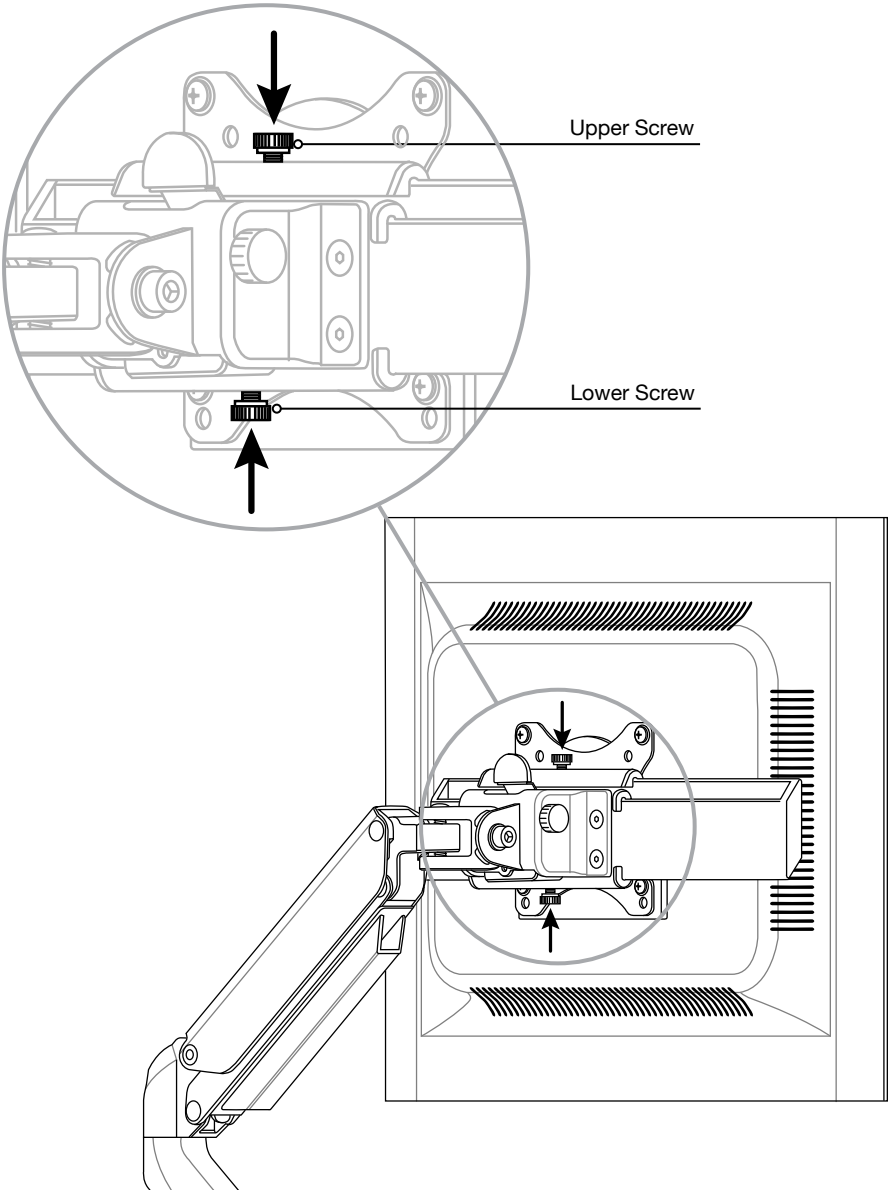
**Step 7:** Move slider left or right into the desired position.

---



**Step 8:** Tighten the upper and lower screw to fix the slider's horizontal position.

---



**Step 9 (Optional):** Adjust monitor position.

---

