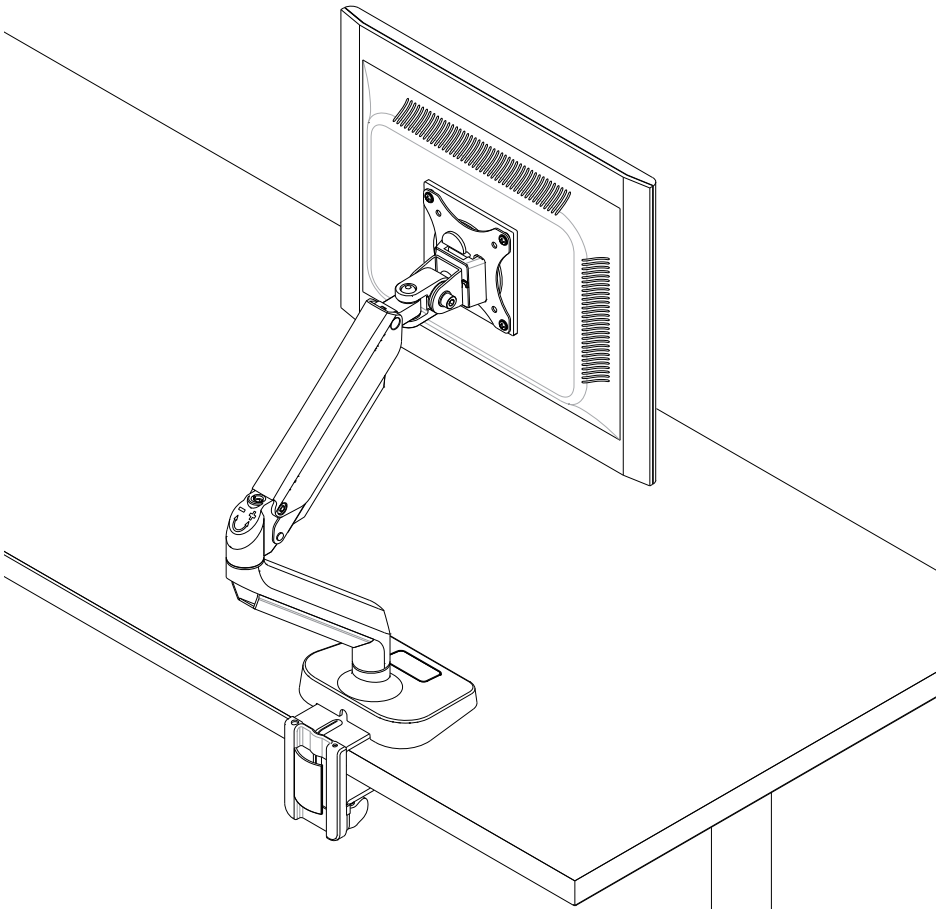


Mobio

SINGLE AND DUAL DESK ASSEMBLY INSTRUCTIONS

Experience unmatched performance.

When you're hard at work, you need a workspace that works hard for you. With a wide range of motion and ultra-reliability, Mobio is your go-to solution for a family of monitor arms to maximize your space. Its compact design and die cast aluminum construction mean greater stability, flexibility and unmatched performance.



Read the entire instruction manual before you start installation and assembly. If you have any questions regarding any of the instructions or warnings, please contact your local distributor for assistance.

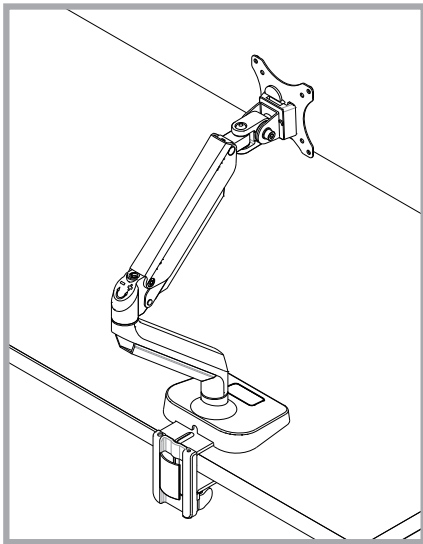
To report any issues with this product, contact our customer experience team at: (888) 274-8664 or sitonit@exemplis.com.



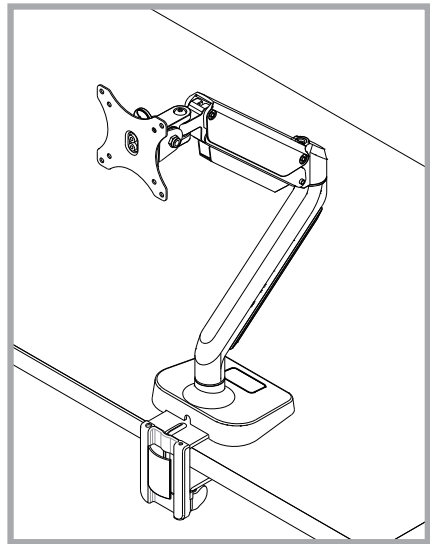
CAUTION

RISK OF TIP OVER

Monitor arms are not intended for applications where the monitor arm extends beyond the perimeter of the worksurface.



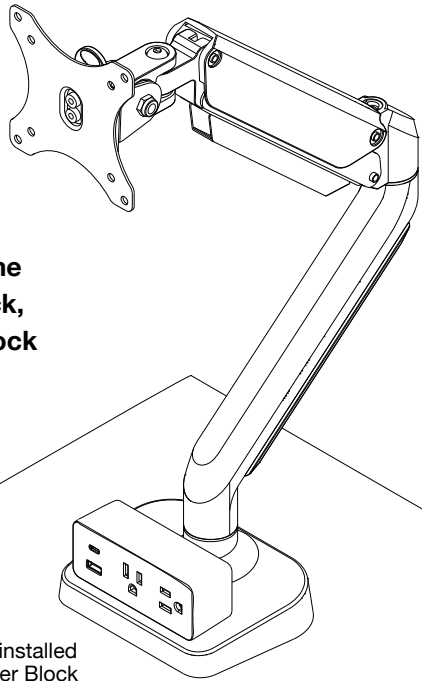
Correct



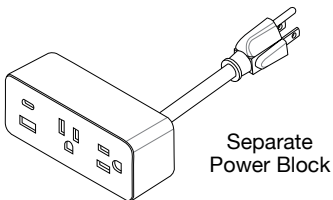
Incorrect

Power

If your monitor arm didn't come with a preinstalled power block, it's not too late. The power block can be purchased separately.



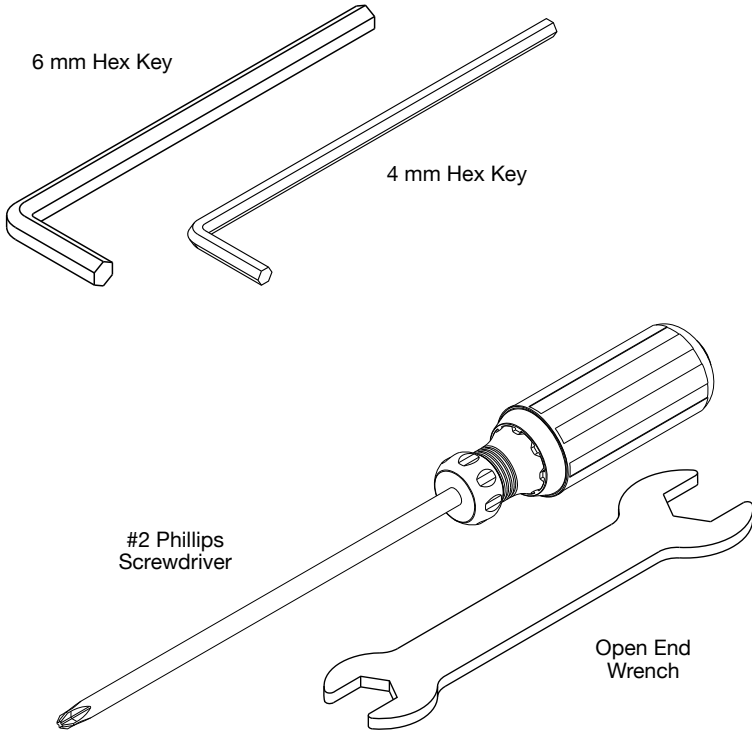
Pre-installed Power Block



Separate Power Block

Recommended Tools

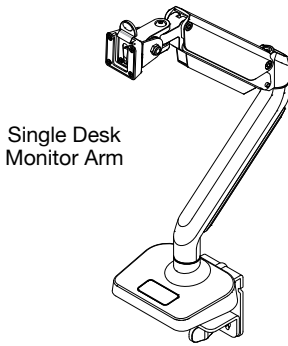
- 4 mm Hex Key (Included)
- 6 mm Hex Key (Included)
- Open Ended Wrench (Included)
- #2 Phillips Screwdriver



Parts: Monitor Arm

Single Desk

- Cable Clamp Cover (1)
- Monitor Arm (1)
- VESA Plate (1)
- **Hardware Kit**
 - M4 x 12 mm Screw (4)
 - M5 x 12 mm Screw (4)
 - M5 Flat Washer (4)



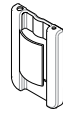
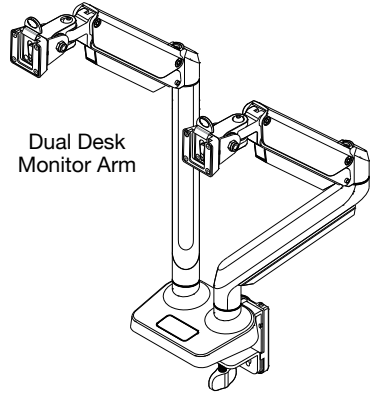
Cable Clamp Cover



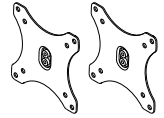
VESA Plate

Dual Desk

- Cable Clamp Cover (1)
- Monitor Arm (1)
- VESA Plate (2)
- **Hardware Kit**
 - M4 x 12 mm Screw (8)
 - M5 x 12 mm Screw (8)
 - M5 Flat Washer (8)



Cable Clamp Cover



VESA Plate

The hardware for the dual desk model comes split into two packs, one for each monitor.

HARDWARE



M4 x 12 mm
Screws

M5 x 12 mm
Screws

M5 Flat
Washer

HARDWARE



M4 x 12 mm
Screws

M5 x 12 mm
Screws

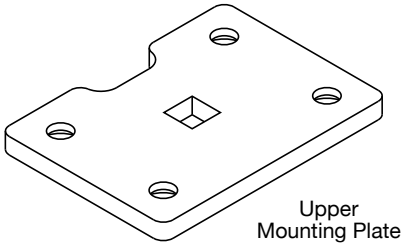
M5 Flat
Washer

Parts: Bolt-through/grommet style installation

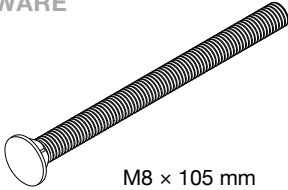
- Upper Mounting Plate (1)
- Lower Mounting Plate (1)

Hardware Kit

- M8 × 105 mm Carriage Bolt (1)
- M8 Lock Washer (1)
- M8 Hex Nut

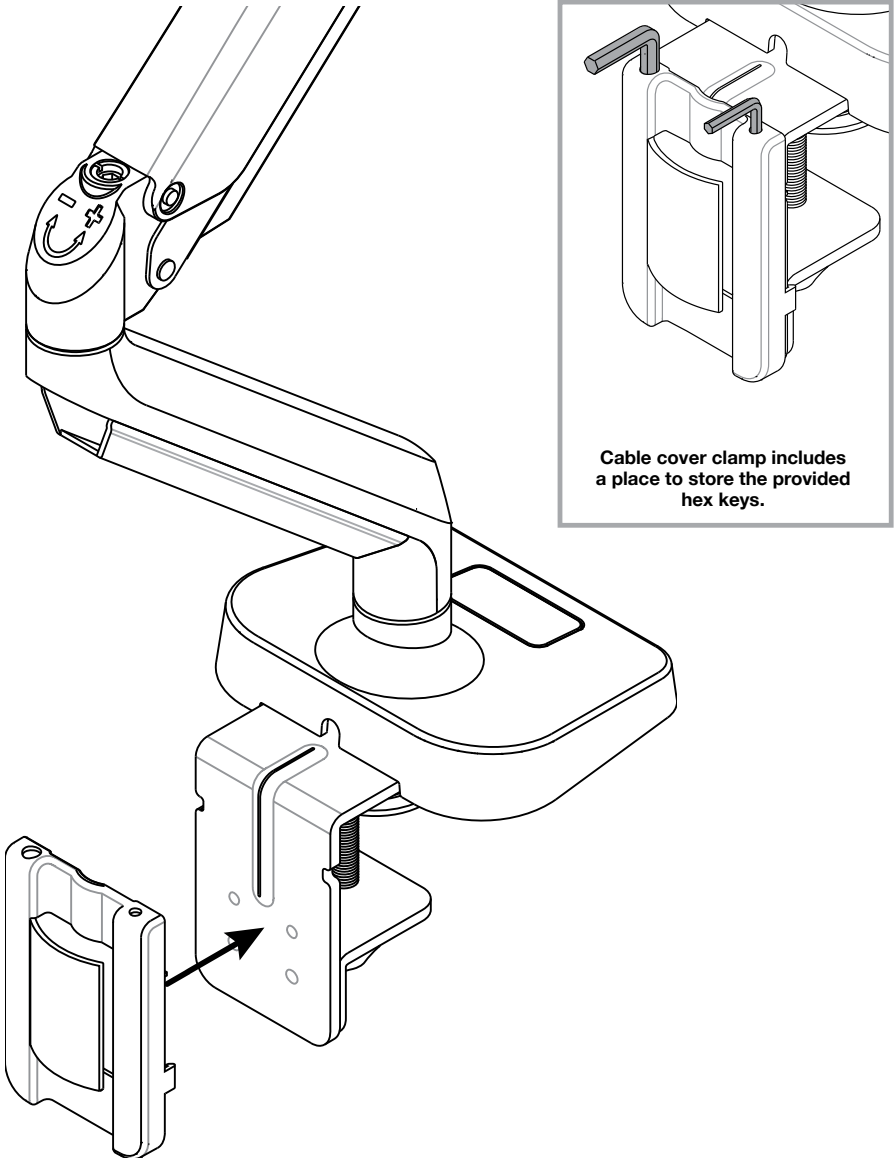


HARDWARE

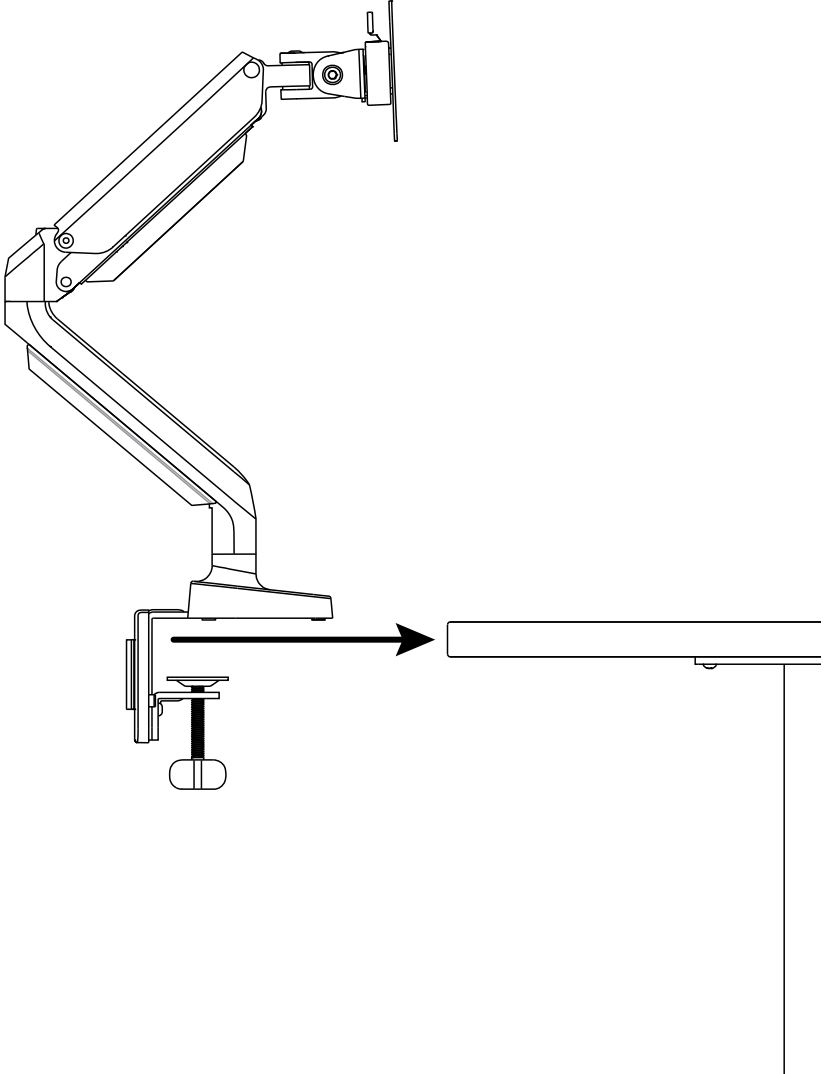


Edge Mount Step 1: Snap the cable clamp cover to the cable clamp.

Skip to page 8 for bolt-through/grommet mount instructions.

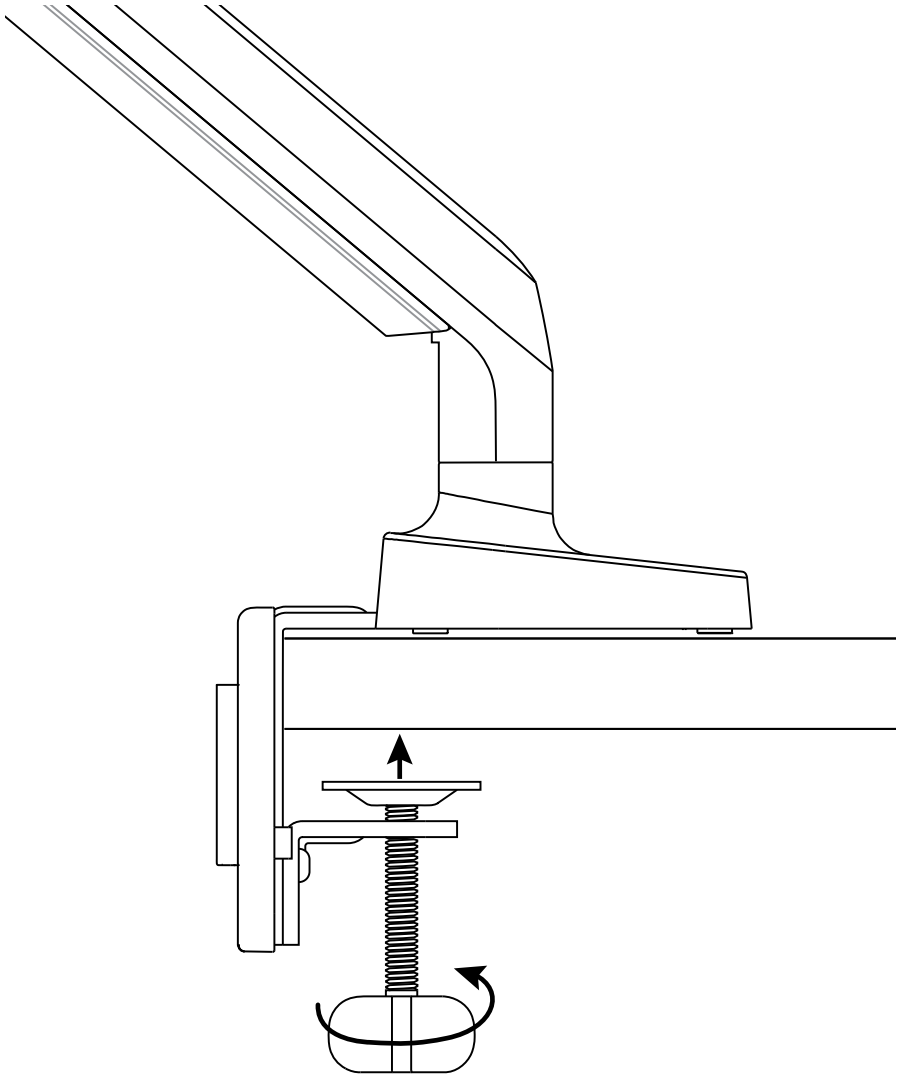


Edge Mount Step 2: Slide the monitor arm onto the tabletop.



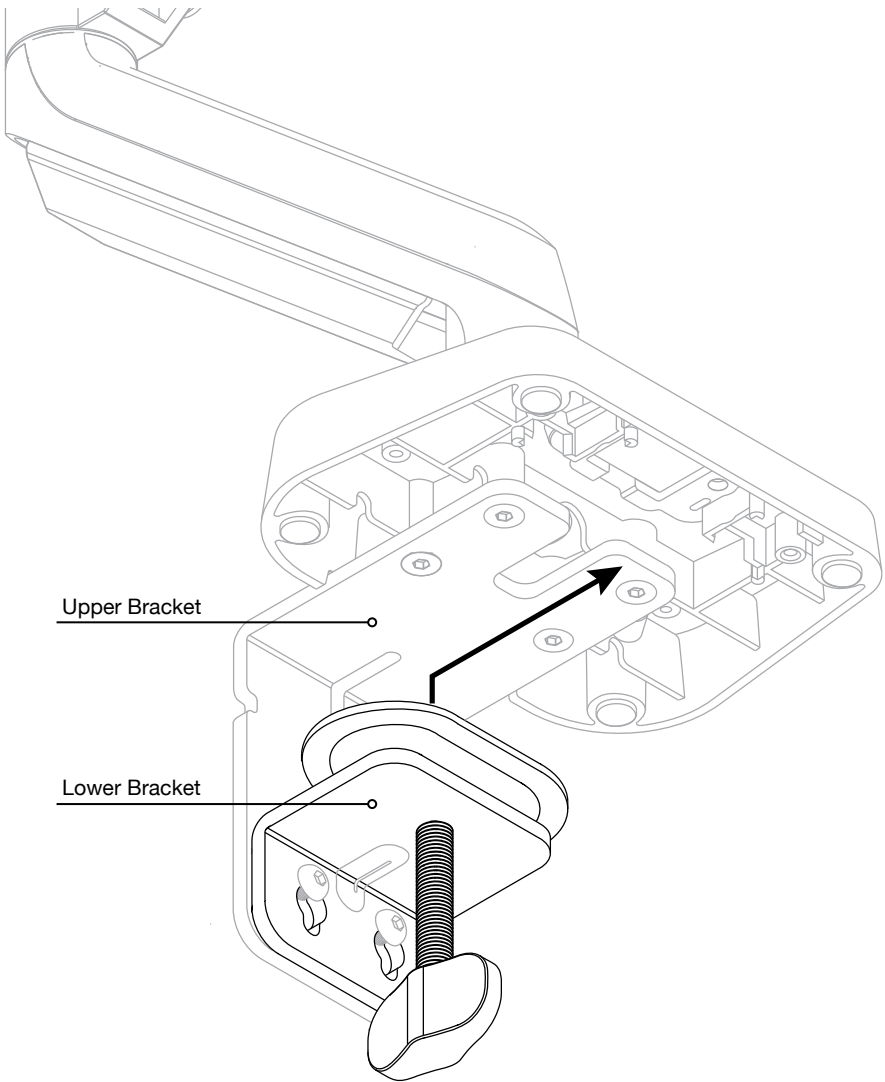
Edge Mount Step 3: Tighten the edge mount's knob until the monitor arm is secure.

Continue to monitor installation on page 14.

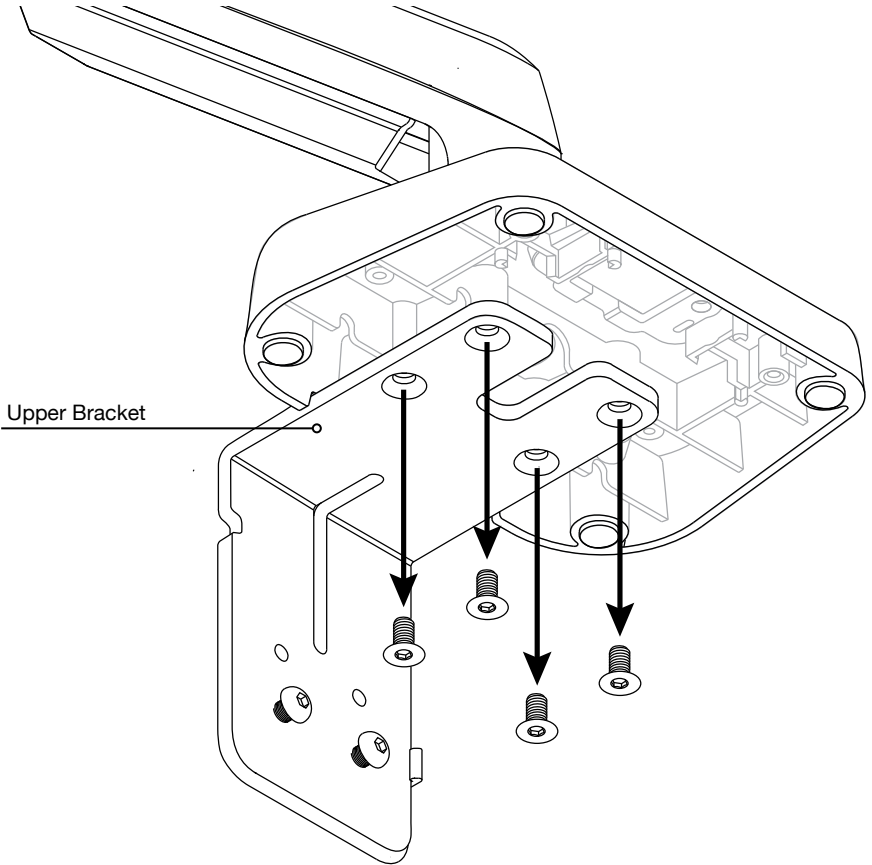


Grommet/Bolt-through Step 1: Push up on the lower bracket to detach it from the top bracket.

See page 5 for edge mount instructions.



Grommet/Bolt-through Step 2: Uninstall the upper bracket by removing the screws.



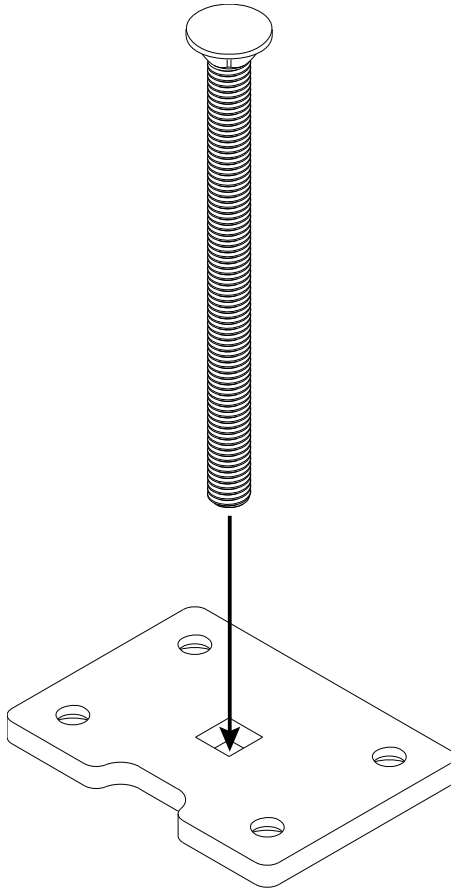
TOOLS



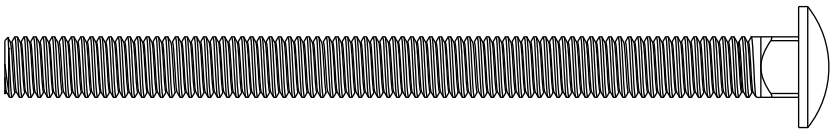
4 mm Hex Key

Grommet/Bolt-through Step 3: Insert the carriage bolt through the upper mounting plate.

Bolt-through/grommet mount.

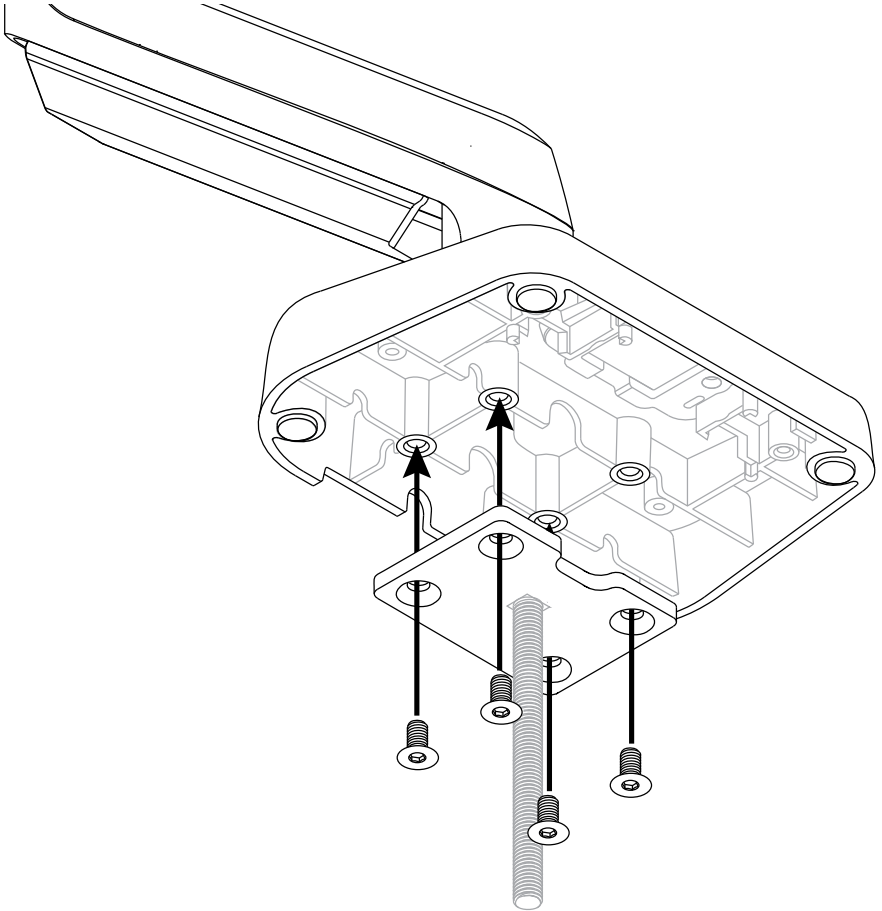


1:1 HARDWARE



M8 × 105 mm Carriage Bolt

Grommet/Bolt-through Step 4: Attach the upper mounting plate to the monitor arm's base with the screws that were removed in step 2.



1:1 HARDWARE



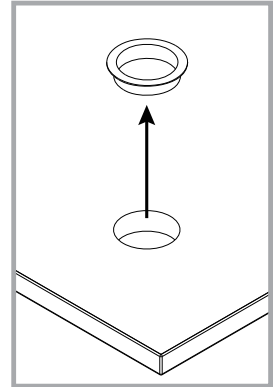
M6 x 12mm

TOOLS

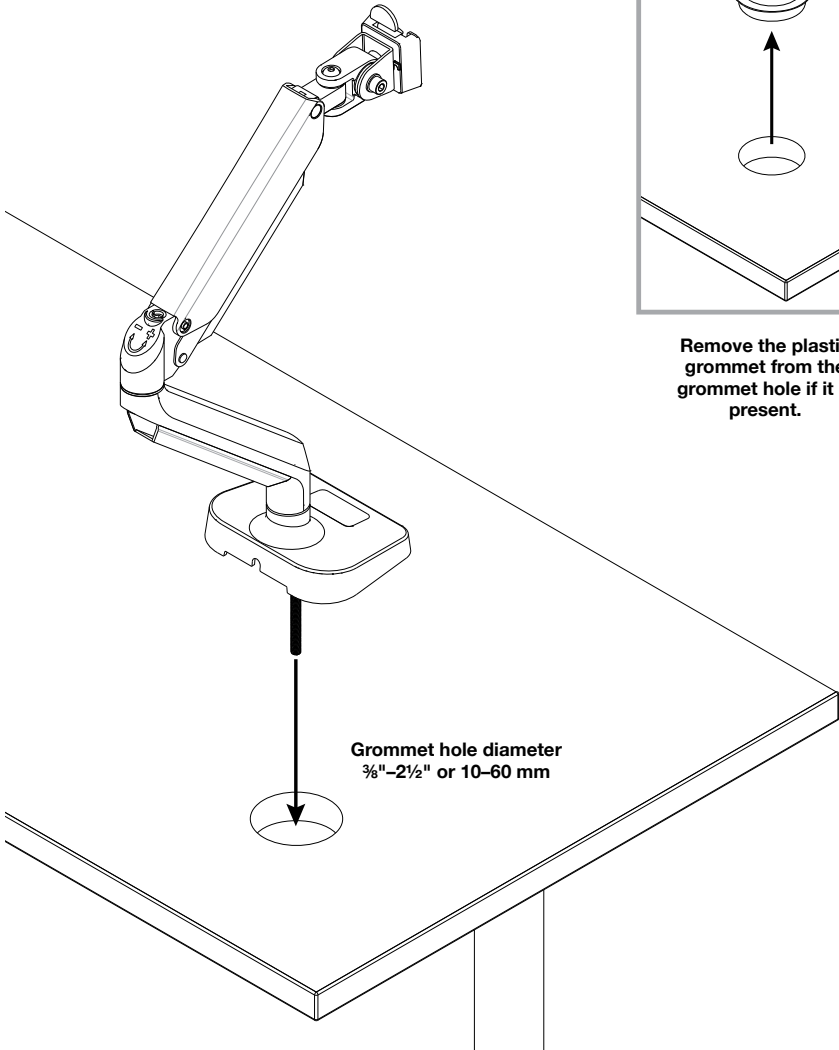


4 mm Hex Key

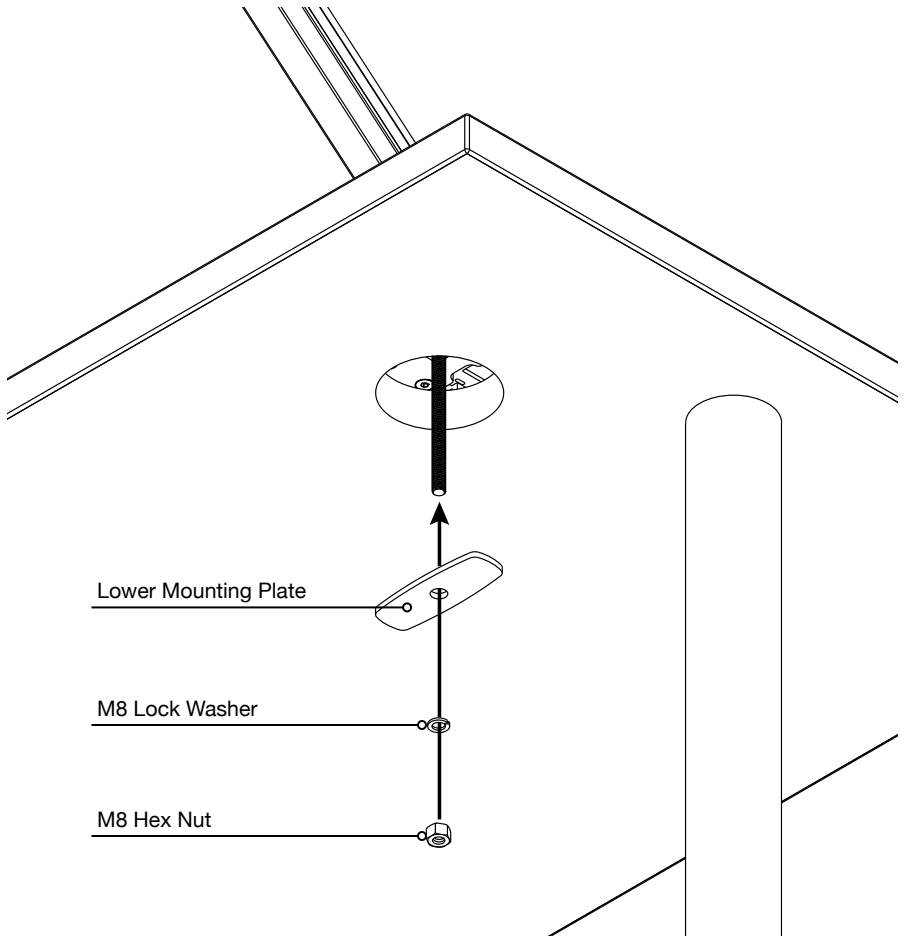
Grommet/Bolt-through Step 5: Insert the monitor arm through the tabletop's grommet hole.



Remove the plastic grommet from the grommet hole if it is present.



Grommet/Bolt-through Step 6: Slide the lower mounting plate, lock washer and hex nut onto the carriage bolt. Tighten the nut with the wrench.



1:1 HARDWARE

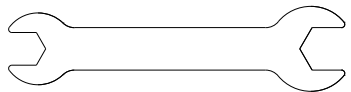


M8 Lock Washer



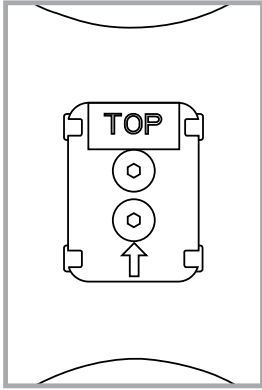
M8 Hex Nut

TOOLS

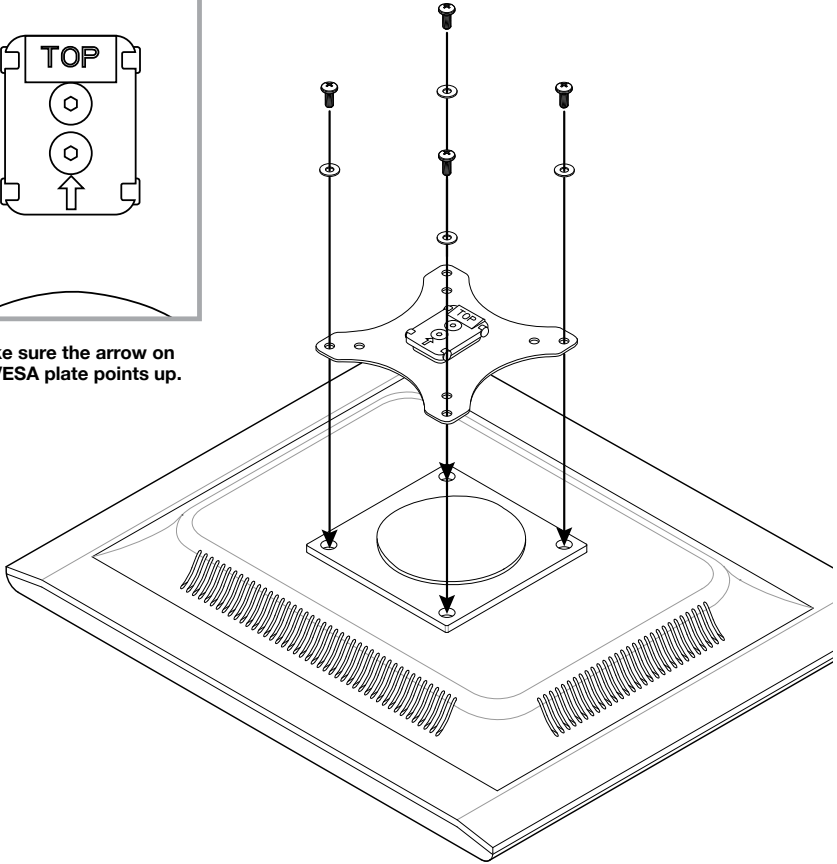


Open End Wrench

Monitor Installation Step 1: Attach the VESA plate to the monitor.



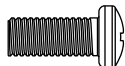
Make sure the arrow on the VESA plate points up.



1:1 HARDWARE



M4 x 12 mm
Screw

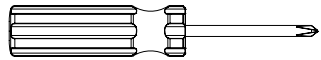


M5 x 12 mm
Screw



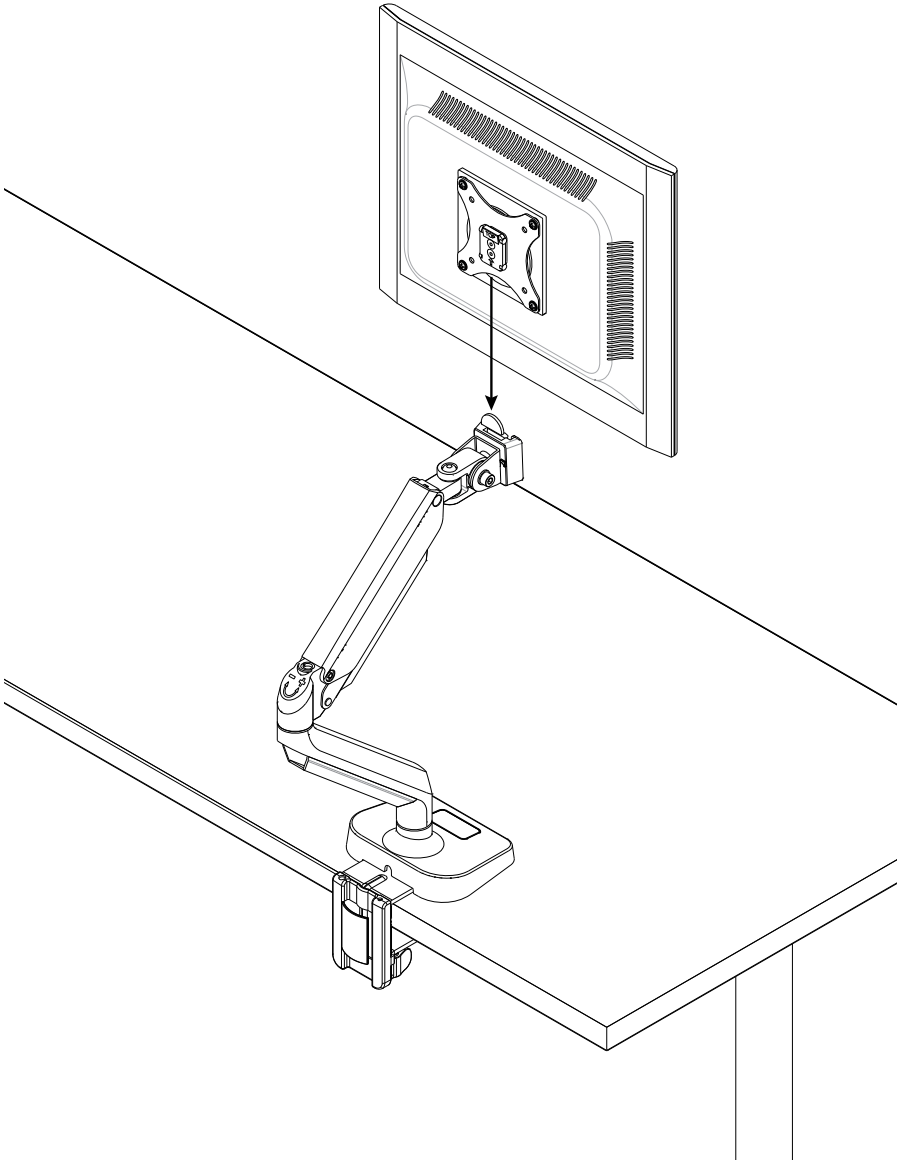
M5 Flat
Washer

TOOLS

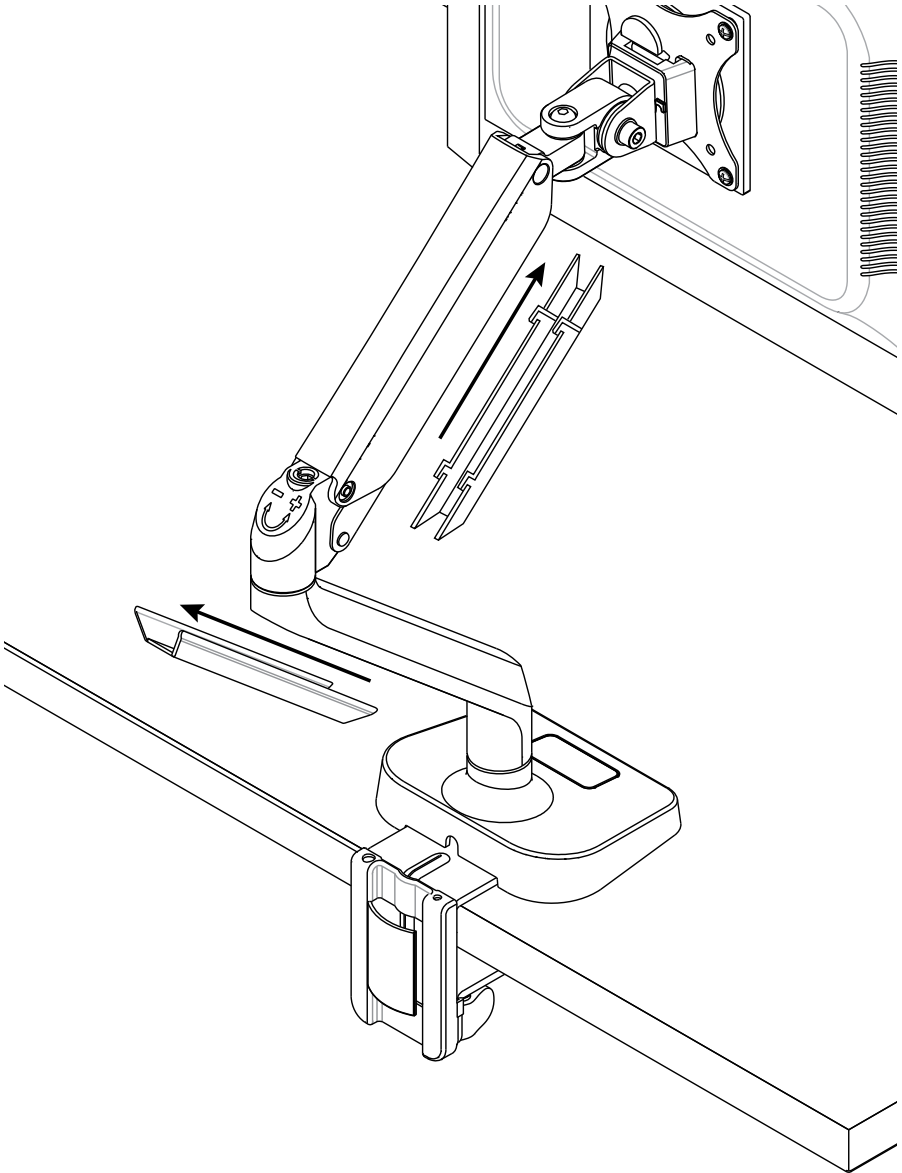


#2 Phillips Screwdriver

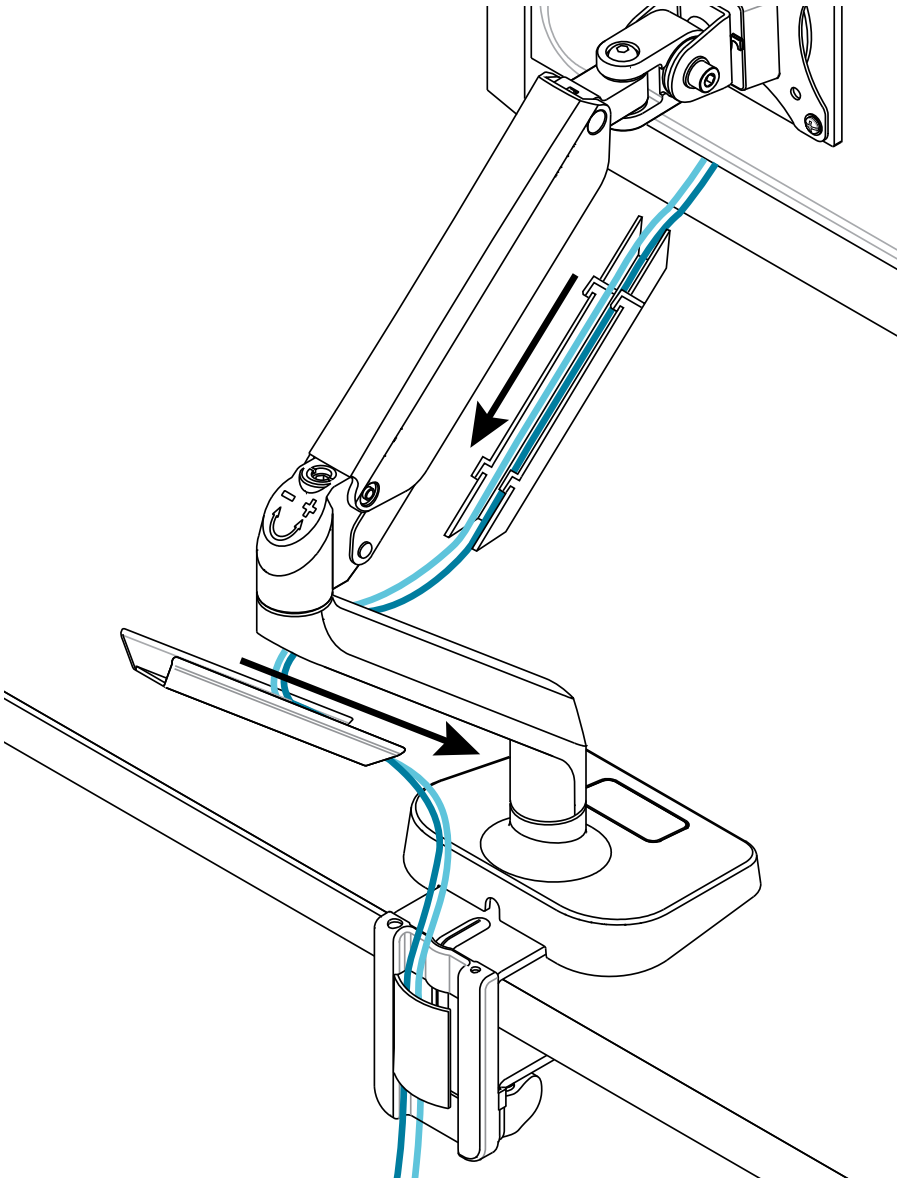
Monitor Installation Step 2: Snap the monitor's VESA plate onto the monitor arm.



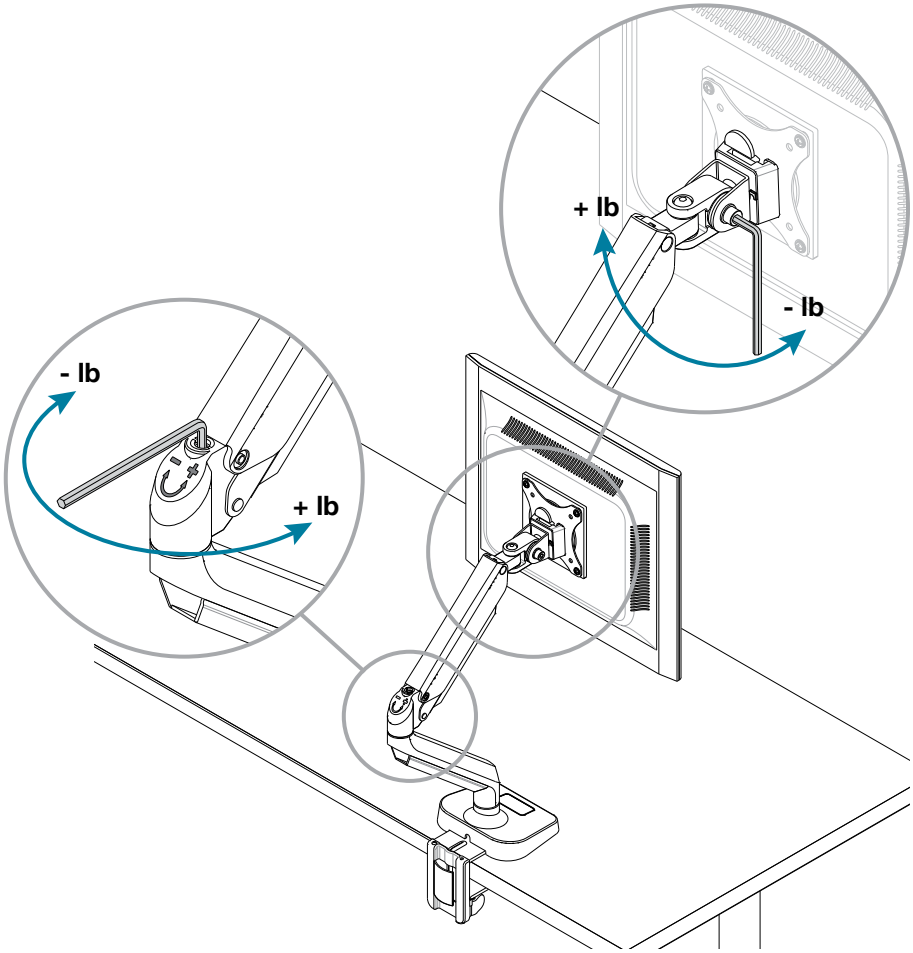
Monitor Installation Step 3: Slide the cable covers up and off the arm.



Monitor Installation Step 4: Route the cables along the cable covers and through the cable clamp cover. Slide the covers back down along the arm to reattach them.



Weight Capacity Adjustment

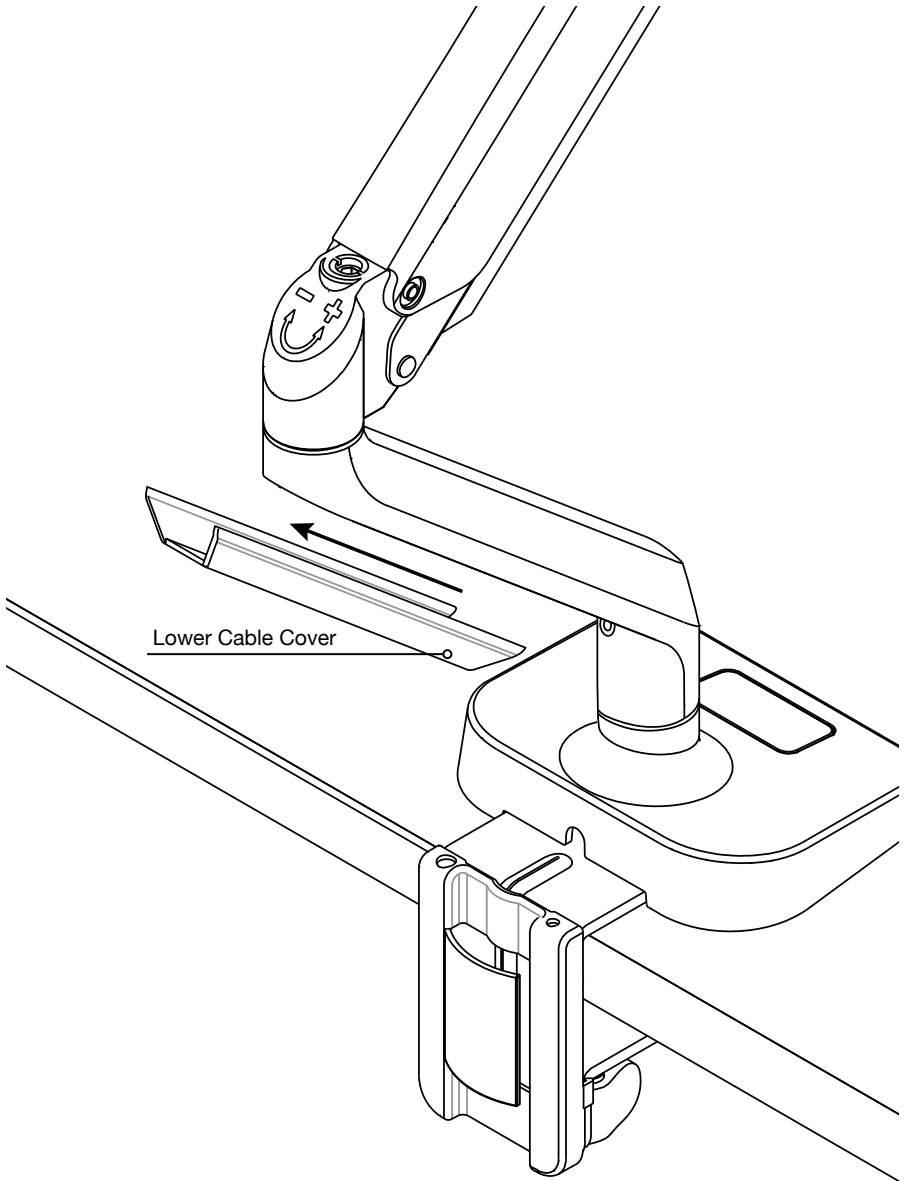


TOOLS

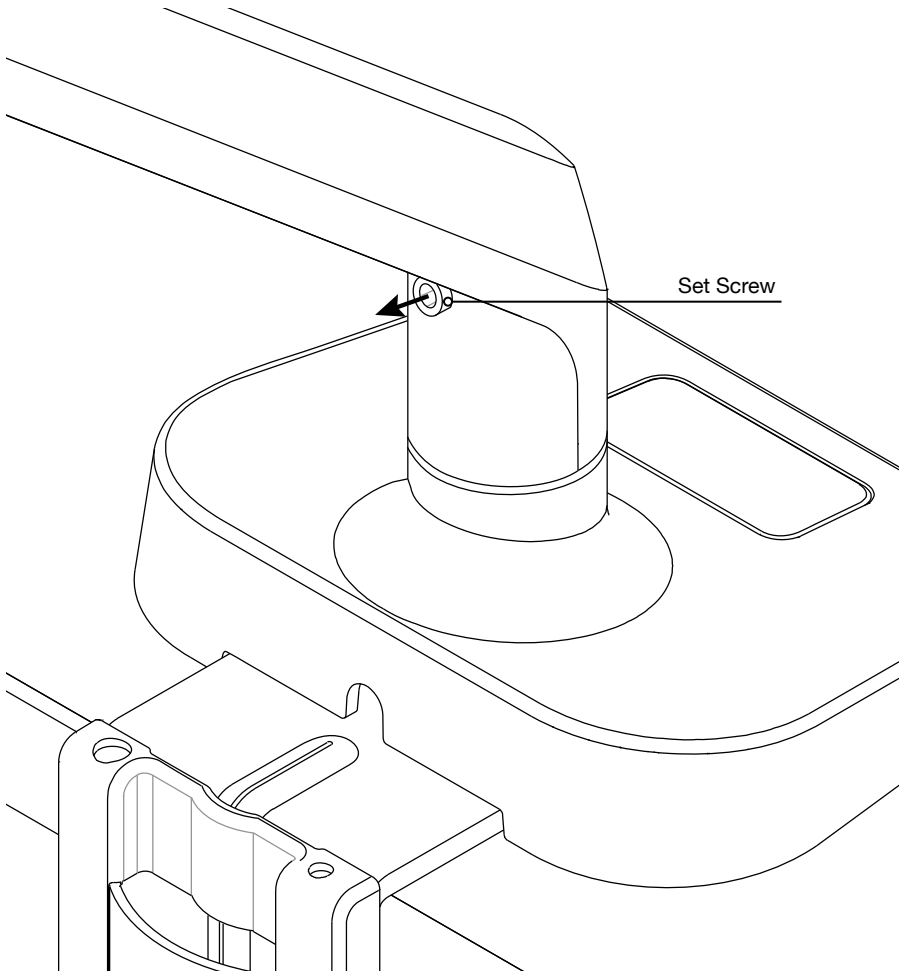


6 mm Hex Key

180° Lock – Step 1: Remove the lower cable cover.



180° Lock – Step 2: Loosen the set screw.

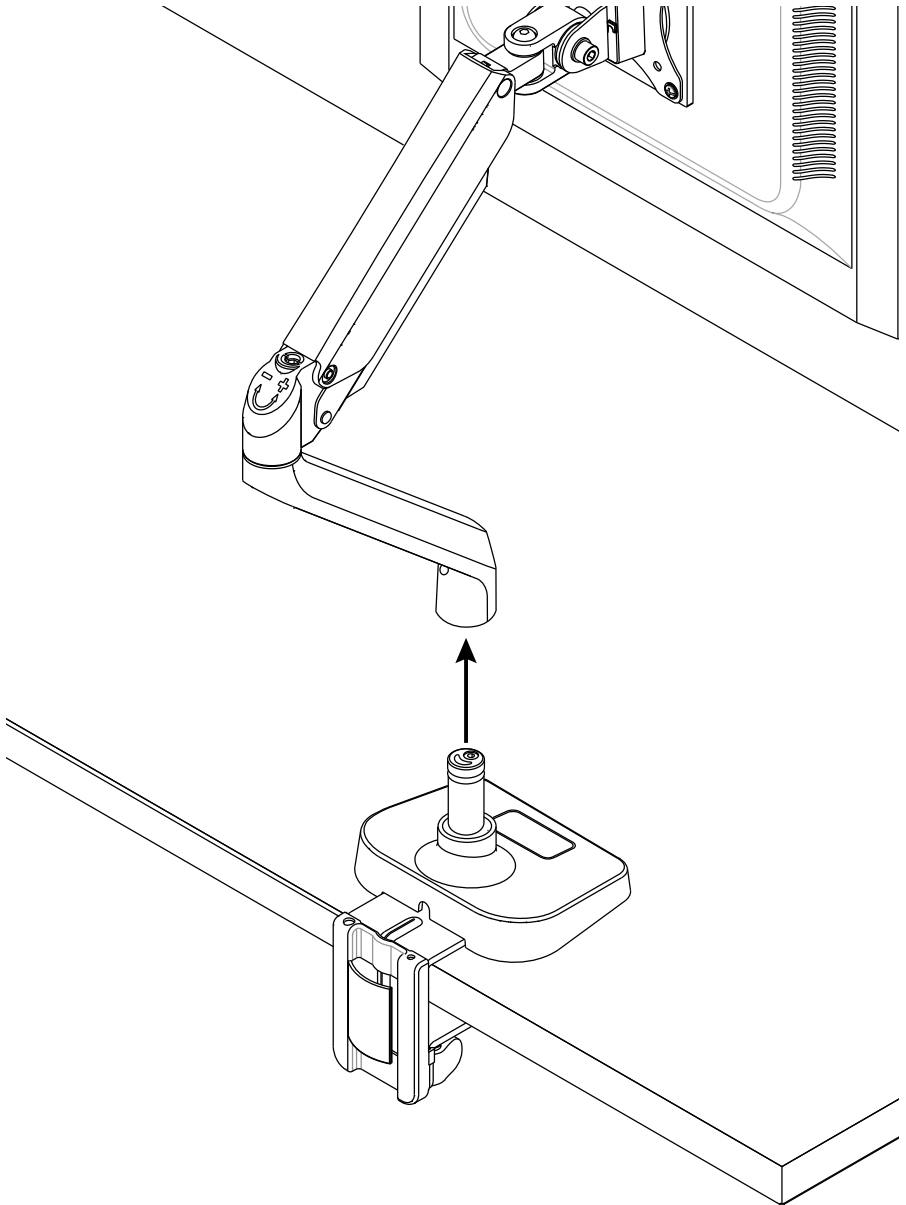


TOOLS

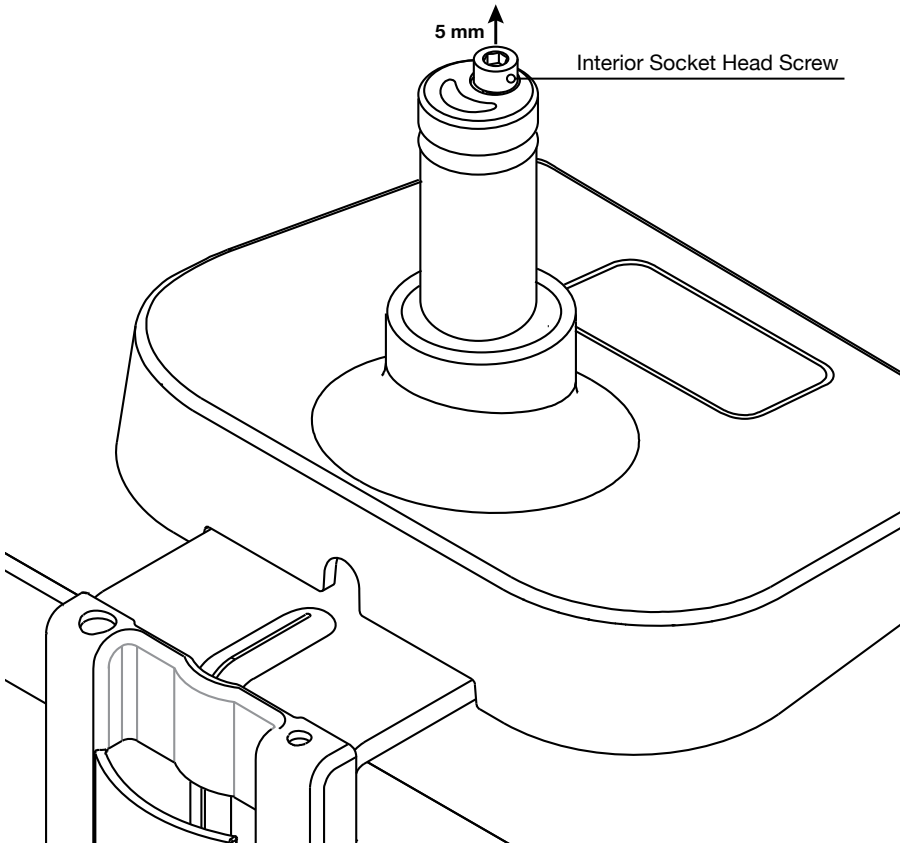


4 mm Hex Key

180° Lock – Step 3: Lift the monitor arm off its base.



180° Lock — Step 4: Raise the interior socket head screw to engage the 180° lock or lower it to disengage the 180° lock.

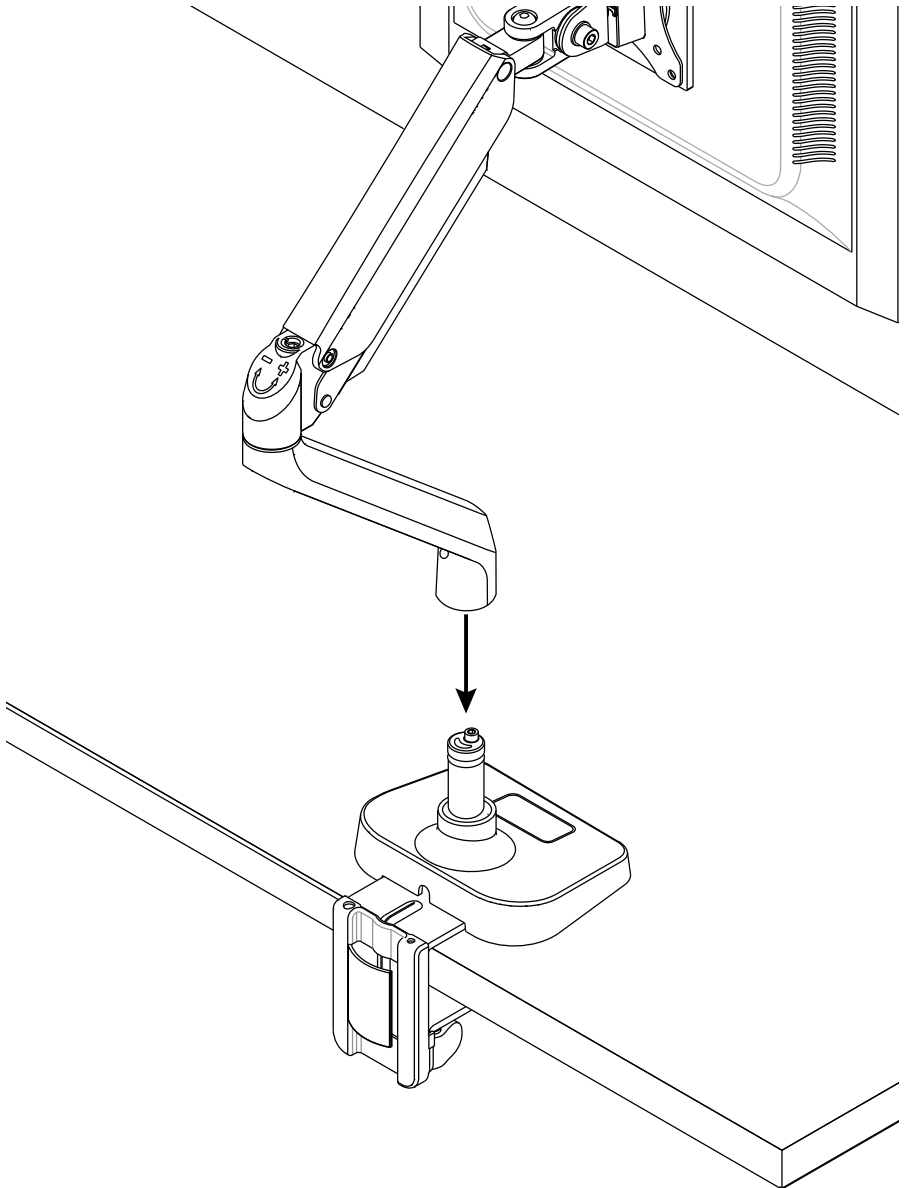


TOOLS

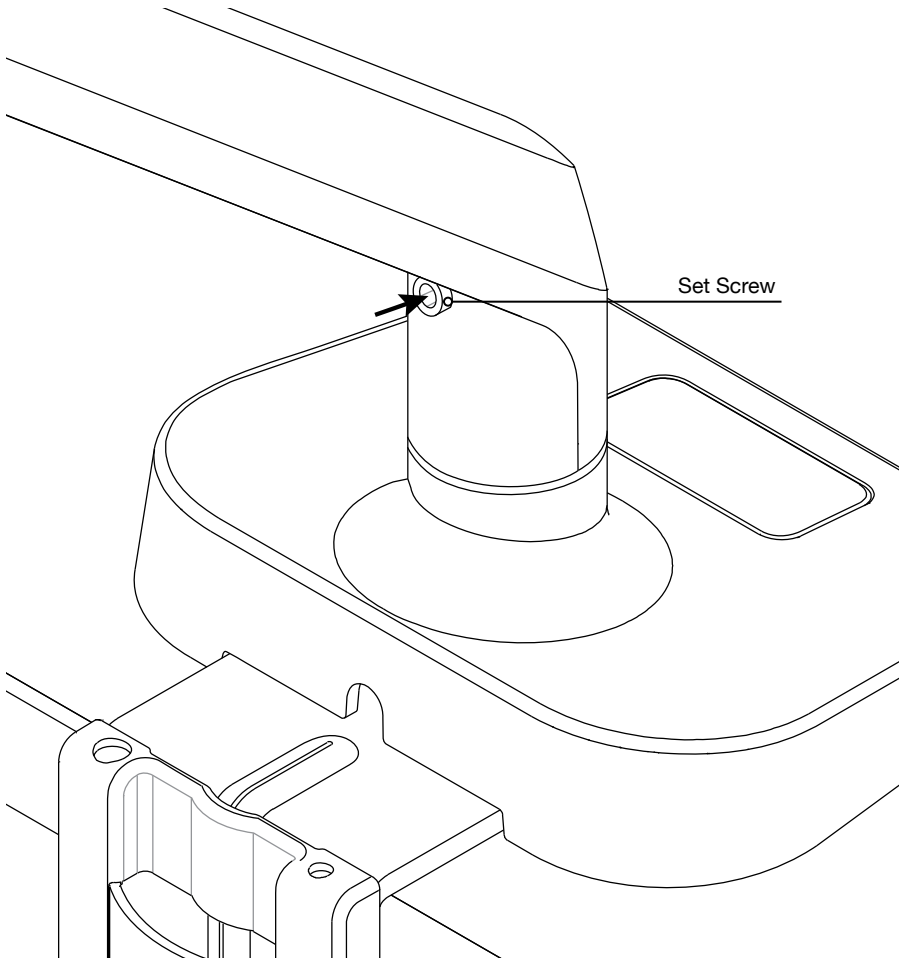


4 mm Hex Key

180° Lock – Step 5: Lower the monitor arm back onto its base.



180° Lock — Step 6: Tighten the set screw.



TOOLS



4 mm Hex Key

180° Lock – Step 7: Reattach the lower cable cover.

