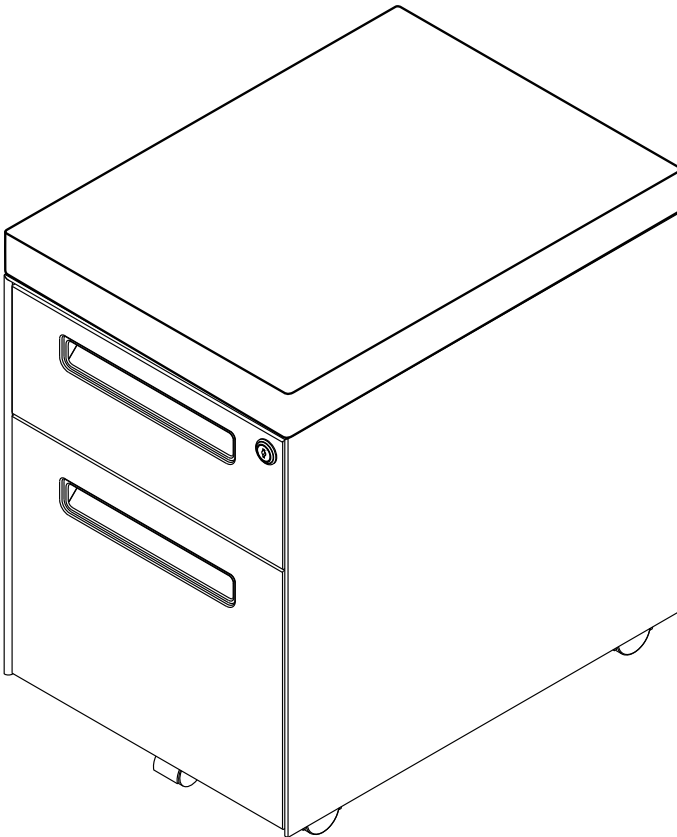


Mobile Pedestal

ASSEMBLY INSTRUCTIONS

File with flexibility.

Our two-drawer mobile pedestal stores everything you need and can move out of the way while still being within reach.



Read the entire instruction manual before you start installation and assembly. If you have any questions regarding any of the instructions or warnings, please contact your local distributor for assistance.

To report any issues with this product, contact our customer experience team at: (888) 274-8664 or sitonit@exemplis.com.

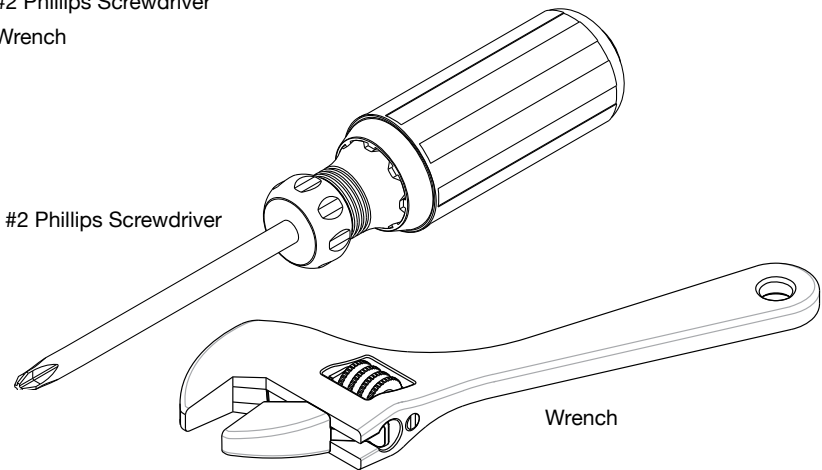


CAUTION

This product has a total stationary weight capacity: 250 lb (including the weight of drawer contents). It has a maximum drawer load: 88 lb.

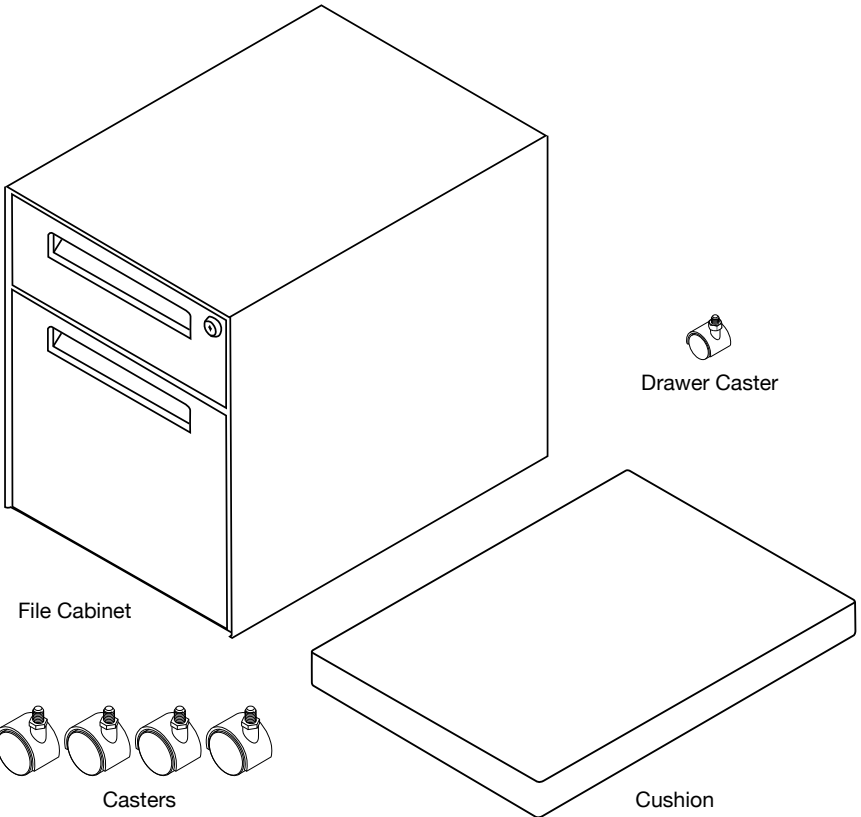
Recommended Tools

- #2 Phillips Screwdriver
- Wrench

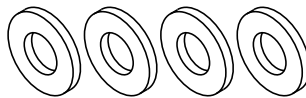


Parts

- Mobile Pedestal (1)
- Caster (4)
- Cushion (1, Optional)
- Drawer Caster (1)
- 0.8" Washer (4)

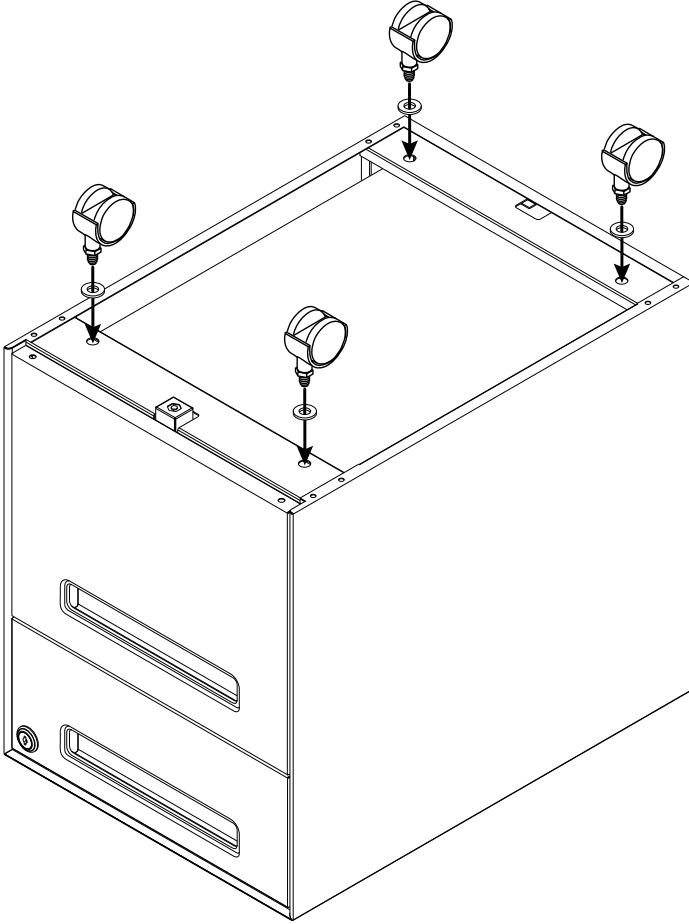


HARDWARE

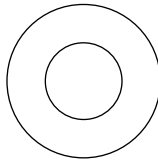


0.8" Washers

Step 1: Screw the casters through the provided washers and into the base of the pedestal.

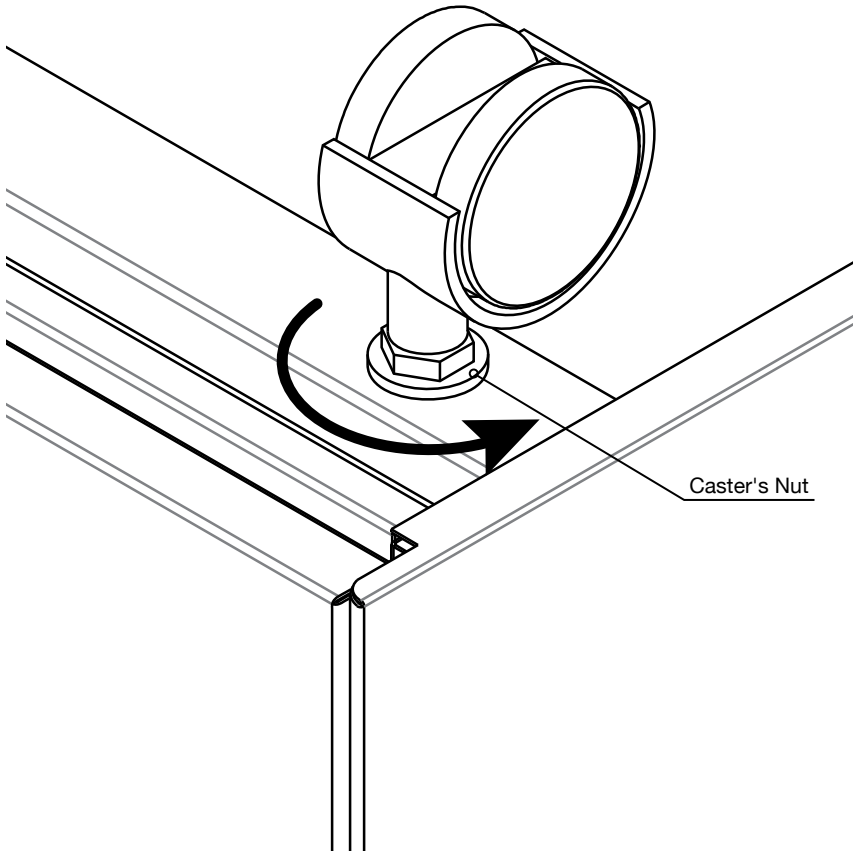


1:1 HARDWARE

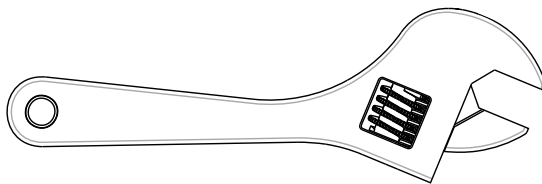


0.8" Washer

Step 2: Tighten the casters' nuts with a wrench.

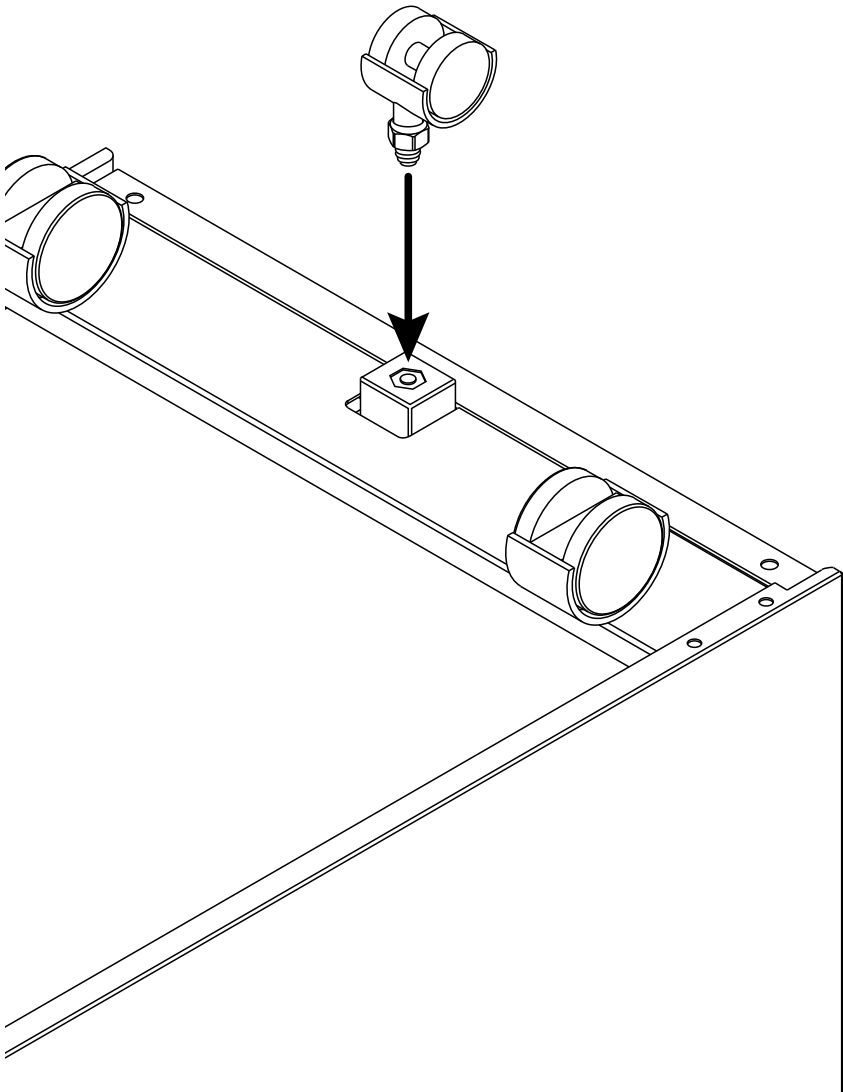


TOOLS

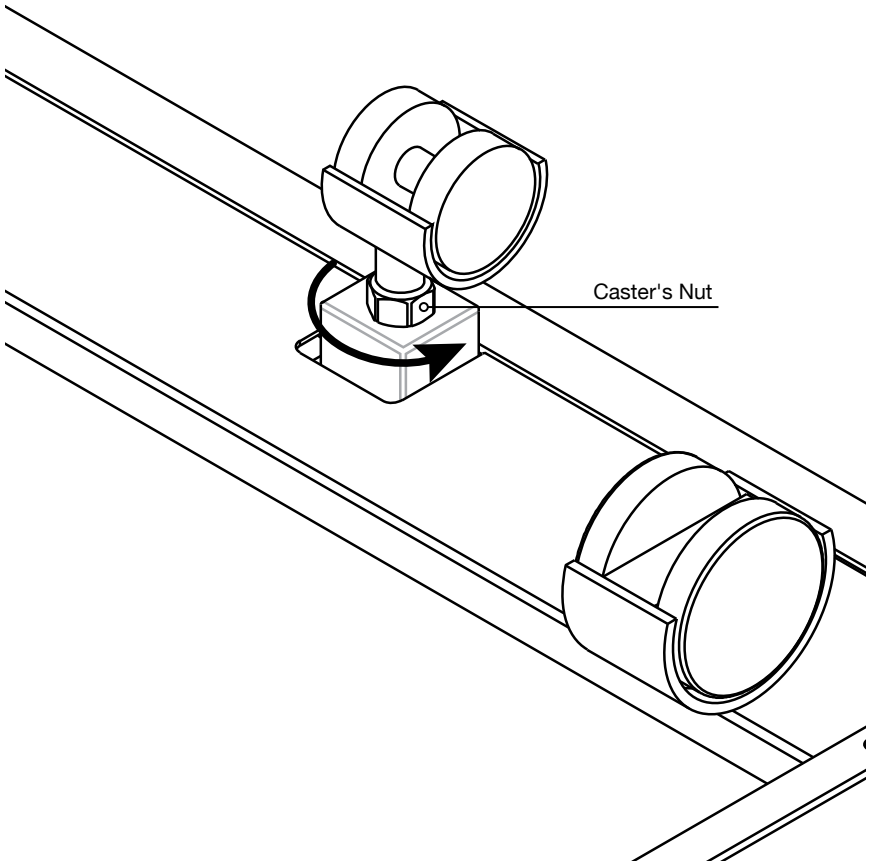


Wrench

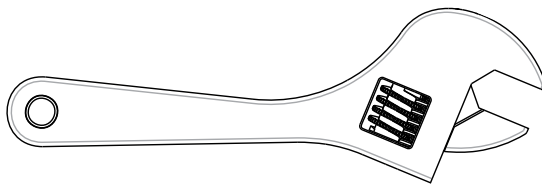
Step 3: Insert the drawer caster into the underside of the drawer.



Step 4: Tighten the nut on the drawer caster.



TOOLS



Wrench

Step 5 (Optional): Remove the backing from the high-bond adhesive strips and press the cushion firmly to the top of the mobile ped.

