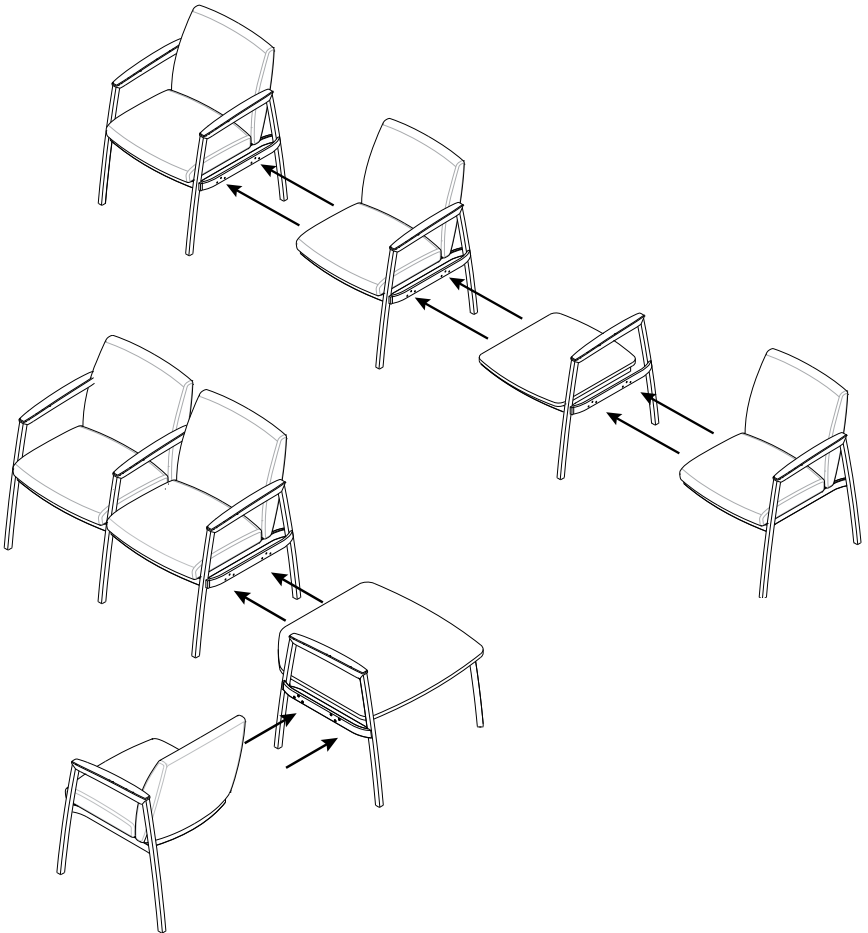


Kindl

ASSEMBLY INSTRUCTIONS

Design and durability—in tandem

Kindl gives you the rugged reliability to stand up in high-traffic spaces—without sacrificing design. The broad statement of line features sleek arched frames, soft contoured cushions and array of customizable options to let you create and coordinate endlessly.

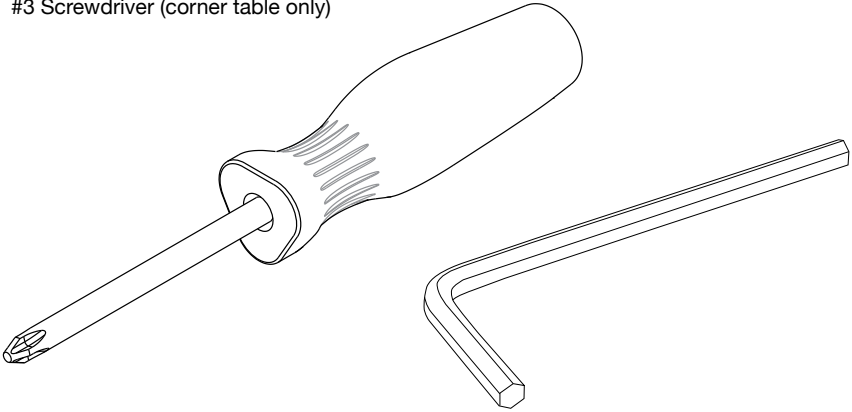


Read the entire instruction manual before you start assembly. If you have any questions regarding any of the instructions or warnings, please contact your local distributor for assistance.

To report any issues with this product, contact our customer experience team at: (888) 274-8664 or sitonit@exemplis.com.

Recommended Tools

- $\frac{3}{16}$ " Hex Allen Key
- #3 Screwdriver (corner table only)



Parts

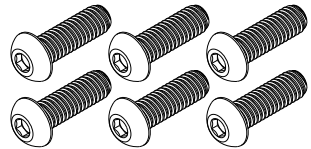
- $\frac{5}{16}$ -18 \times 1" Screw (6, per connection)
- $\frac{5}{16}$ " Lock Washer (12, per connection)
- $\frac{1}{4}$ -20 \times $\frac{1}{2}$ " Screw (2, corner table only)



$\frac{1}{4}$ -20 \times $\frac{1}{2}$ " Screws

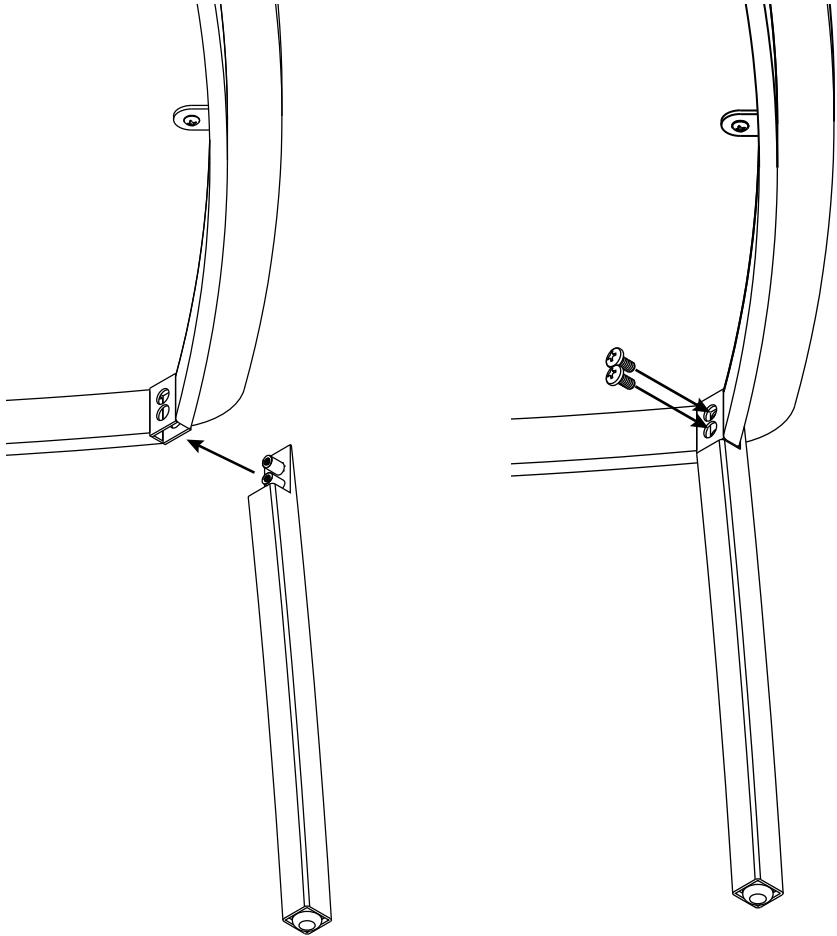


$\frac{5}{16}$ " Lock Washers

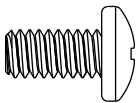


$\frac{5}{16}$ -18 \times 1" Screws

Step 1: If you're using a corner table, insert the corner leg and secure it in place.

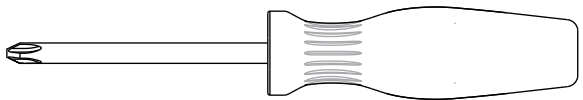


1:1 HARDWARE



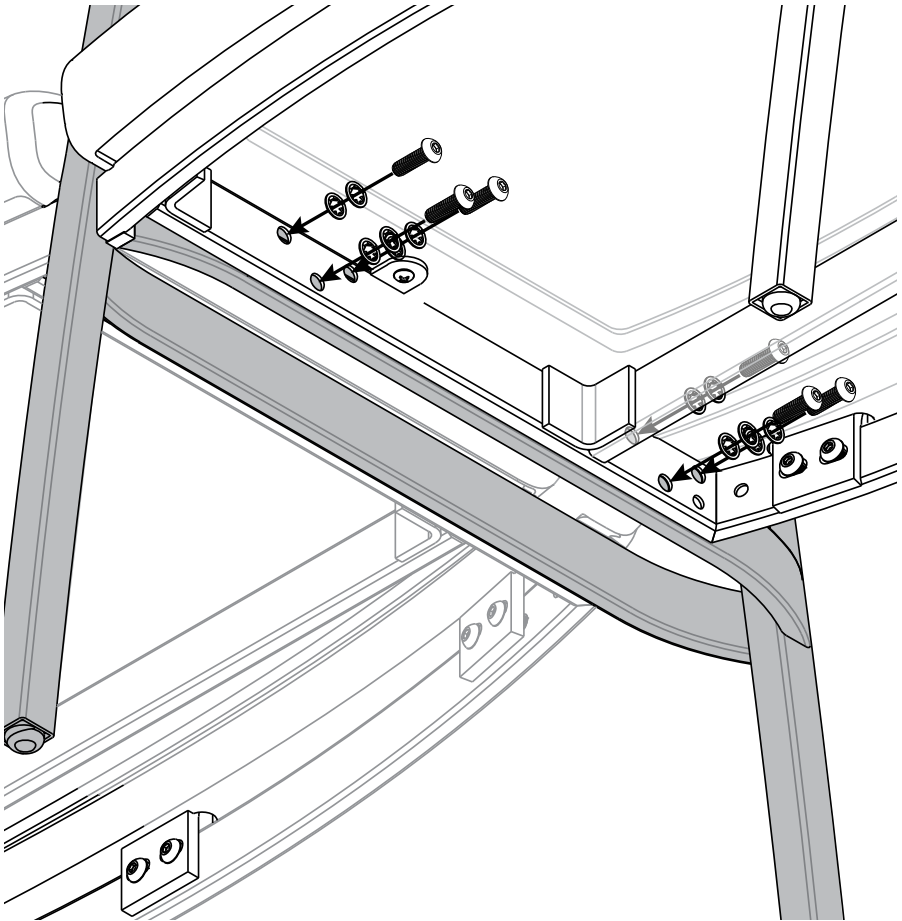
1/4-20 x 1/2" Screw

TOOLS

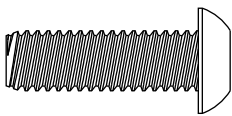


#3 Phillips Screw Driver

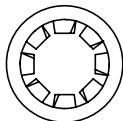
Step 2: Attach each piece to the linking arm of the previous piece.



1:1 HARDWARE



5/16-18 x 1" Screw



5/16" Lock Washer

TOOLS



3/16" Hex Allen Key