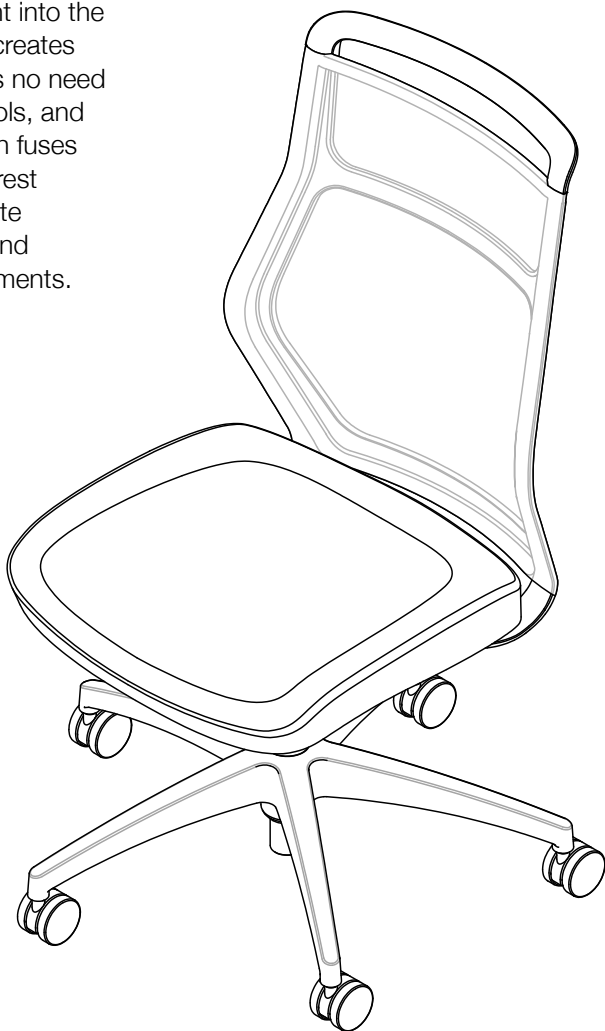


# Hexy

## TASK CHAIR AND TASK STOOL ASSEMBLY INSTRUCTIONS

### *Powered by fusion.*

Hexy is what happens when you let inspiration drive innovation—and engineer ergonomics right into the frame. Its hexagon core creates natural support so there's no need for external lumbar controls, and the high-performing mesh fuses with the extra-wide backrest seamlessly. It's the ultimate seat for action-packed (and comfort-backed) environments.

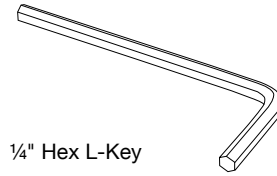


Read the entire instruction manual before you start installation and assembly. If you have any questions regarding any of the instructions or warnings, please contact your local distributor for assistance.

To report any issues with this product, contact our customer experience team at: (888) 274-8664 or [sitonit@exemplis.com](mailto:sitonit@exemplis.com).

### Recommended Tools

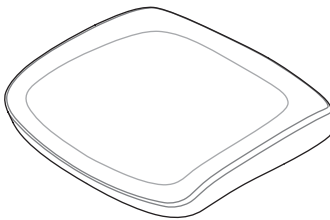
- 1/4 Hex L-Key



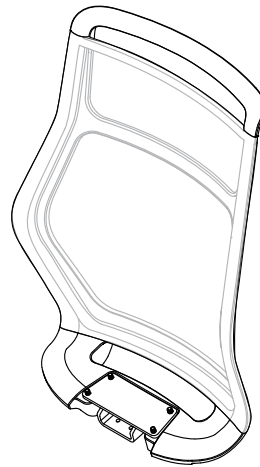
1/4" Hex L-Key

### Parts: Mechanism

- Back Assembly
- Seat Assembly



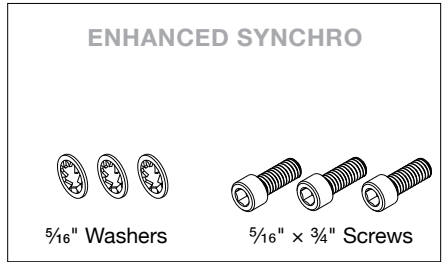
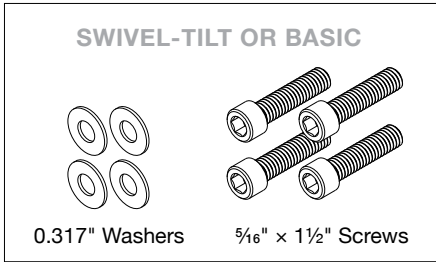
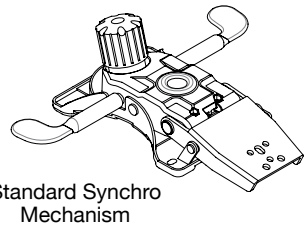
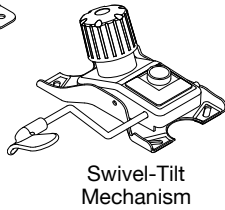
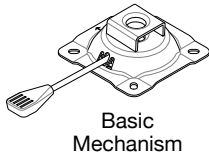
Seat Assembly



Back Assembly

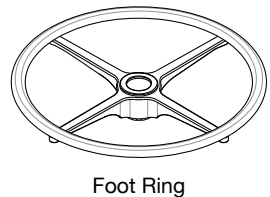
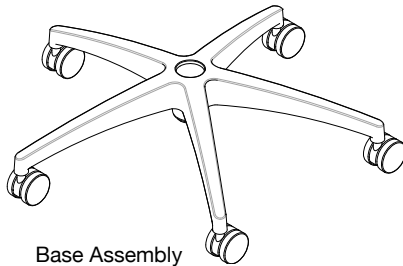
## Parts

- **Swivel-Tilt or Basic Mechanism (1)**
  - $\frac{5}{16}$ "  $\times$   $1\frac{1}{2}$ " Screw (4)
  - 0.317" Washer (4)
- **Standard Synchro Mechanism (1)**
  - $\frac{5}{16}$ "  $\times$   $\frac{3}{4}$ " Screw (3)
  - $\frac{5}{16}$ " Washer (3)



## Parts: Base

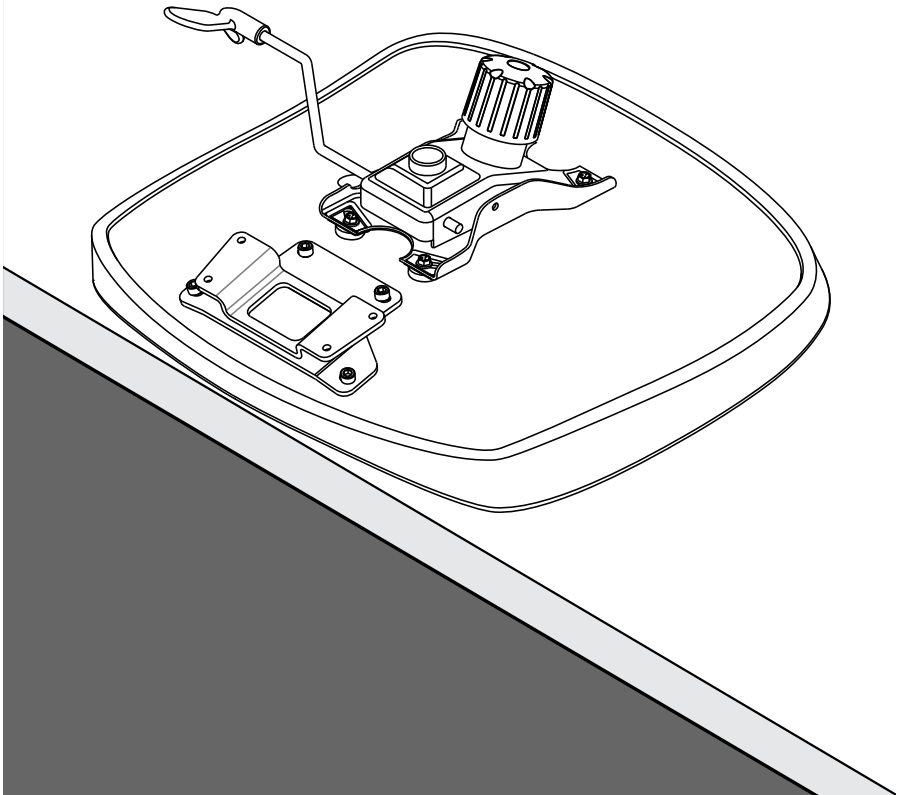
- Base Assembly (1)
- Cylinder (1)
- Foot Ring (1, Optional for Stool)



**Step 1:** Place seat/mechanism assembly on a firm, flat elevated surface.

Basic mechanism or swivel-tilt mechanism

The chair's shipping box or a sturdy table may be used for this step.



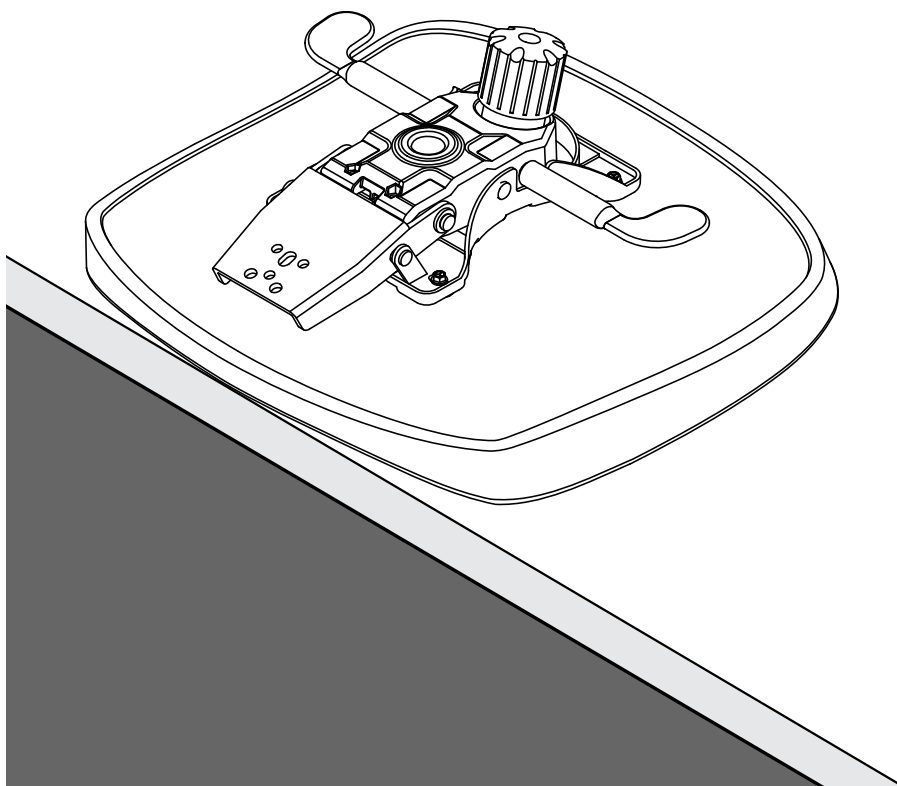
**Step 1:** Place seat/mechanism assembly on a firm, flat elevated surface.

---

### Standard synchro mechanism

---

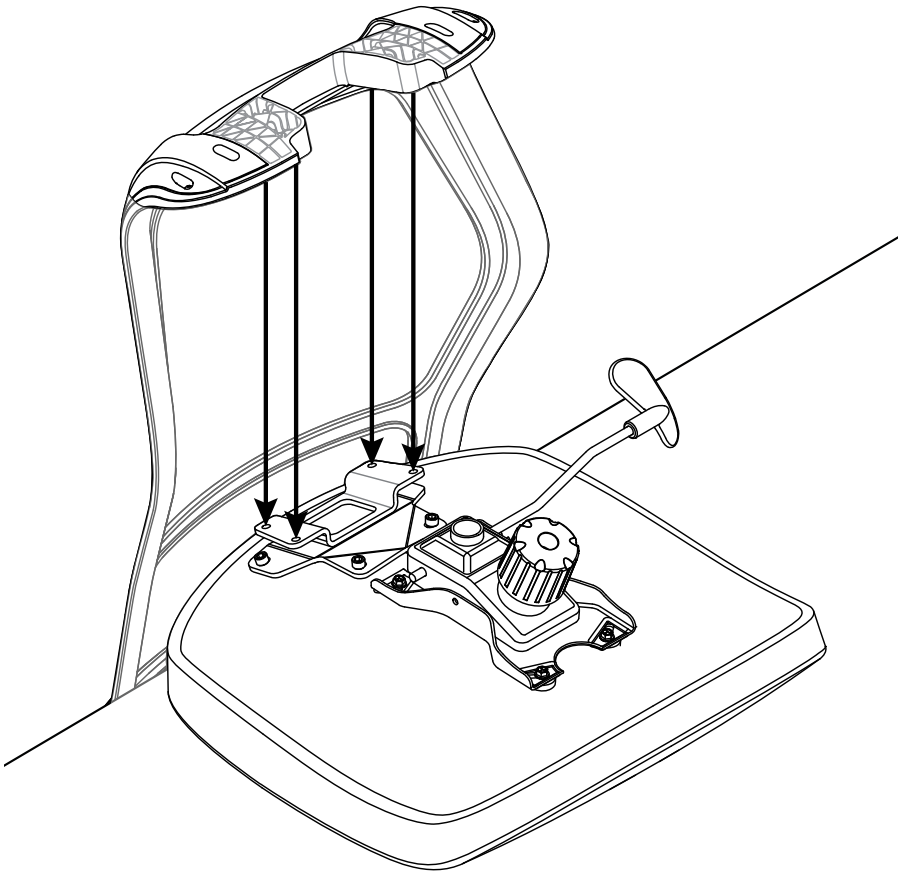
The chair's shipping box or a sturdy table may be used for this step.



**Step 2:** Align the back assembly with the mechanism.

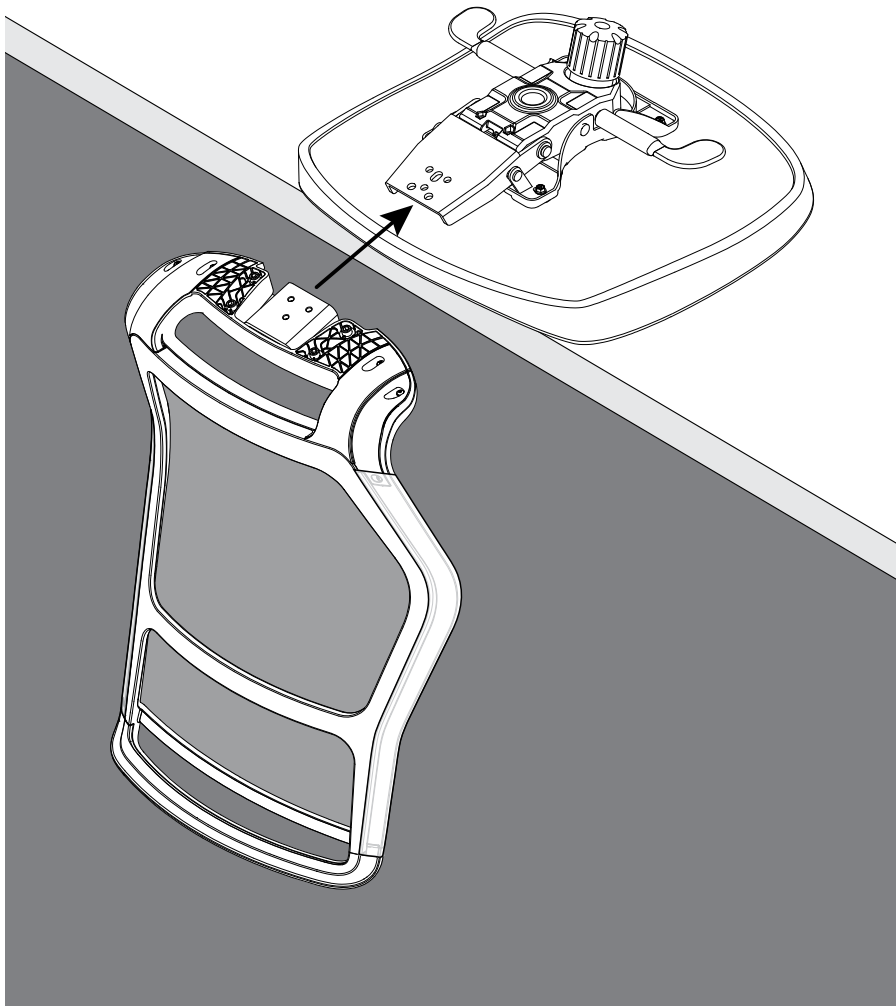
---

Basic mechanism or swivel-tilt mechanism



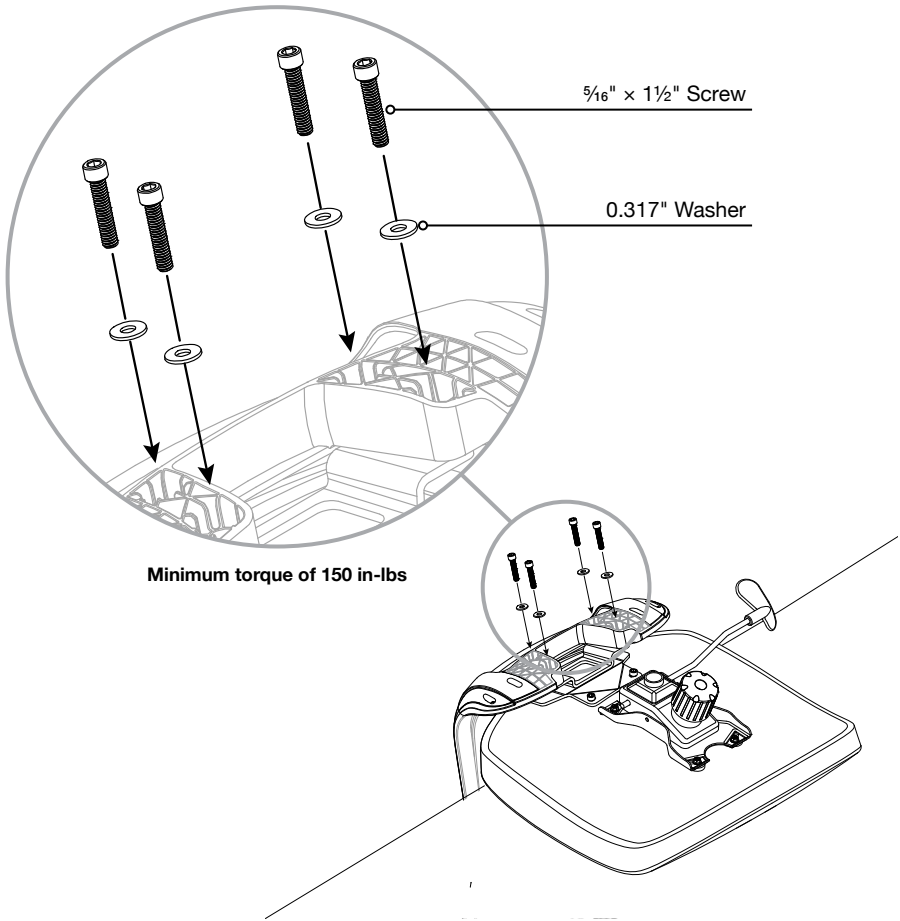
**Step 2:** Slide the yoke into the mechanism and align it with the hole pattern.


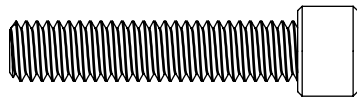
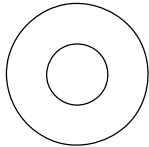
Standard synchro mechanism



**Step 3:** Secure the back assembly to the mechanism.

Basic mechanism or swivel-tilt mechanism

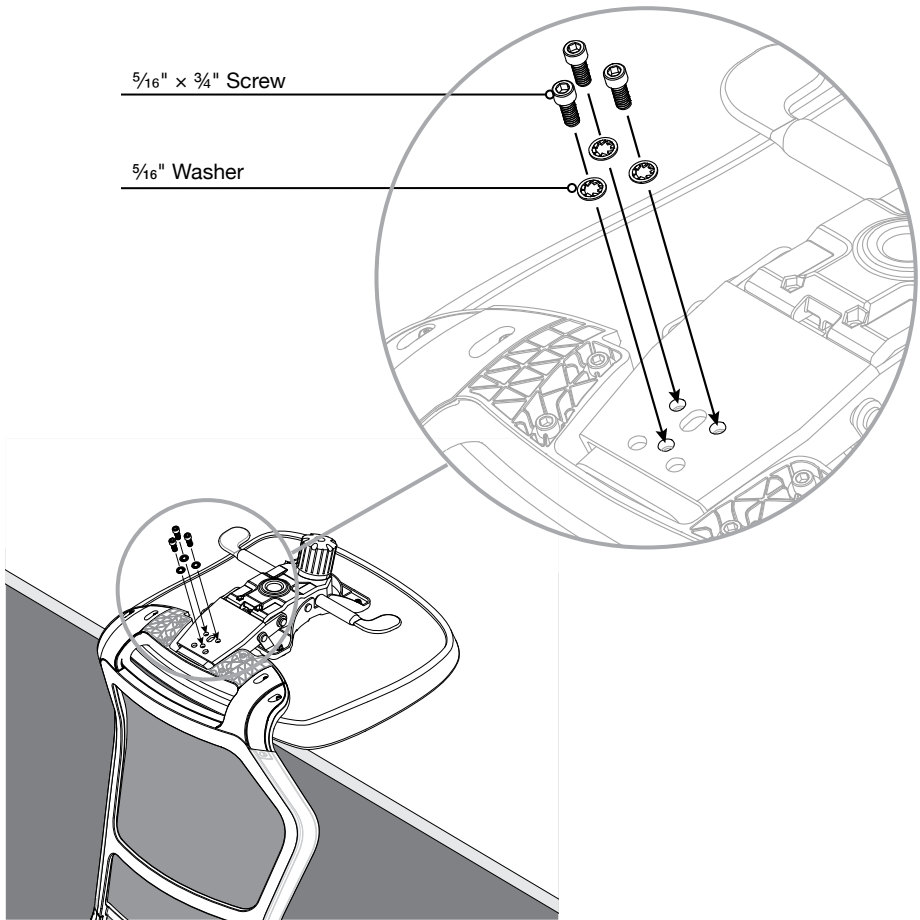



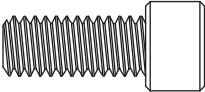
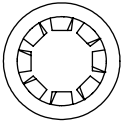
TOOLS	1:1 HARDWARE	
		
1/4" Hex Key	5/16" x 1/2" Screw	0.317" Washer



**Step 3:** Secure the back assembly to the mechanism.

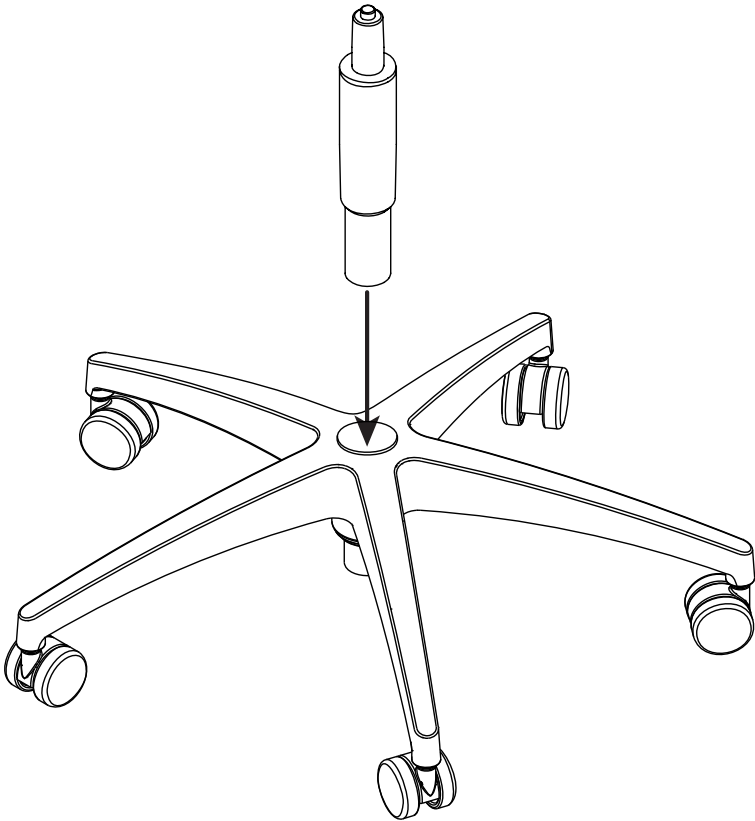
Enhanced synchro mechanism



TOOLS	1:1 HARDWARE	
		
1/4" Hex Key	5/16" x 3/4" Screw	5/16" Washer

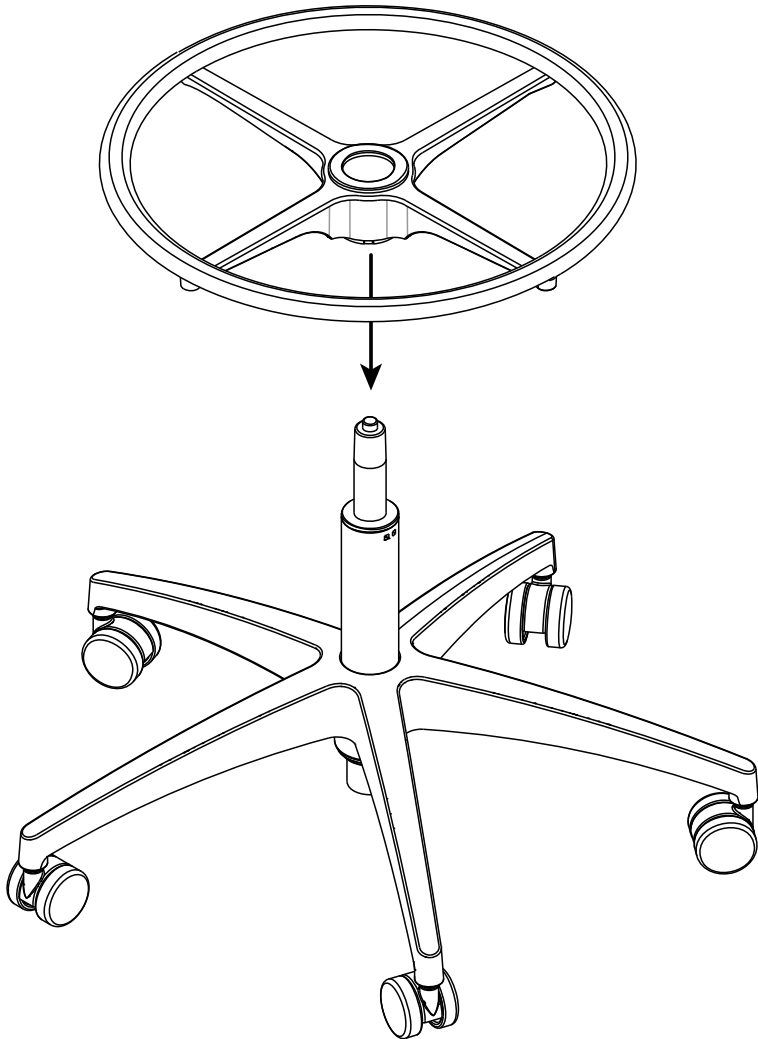
**Step 4:** Insert the cylinder into the base and press down to seat it.

---



**Step 5 (Optional):** Remove the protective spacer under the stool ring and slide the cylinder into the base. Push down to seat it.

---



**Step 6:** Align the seat assembly with the cylinder and push until seated

---

The cylinder is seated correctly when you can lift the chair and the cylinder stays attached to the seat assembly.

